

501-16 Wipers and Washers  
Removal and Installation

2022 - 2023 Bronco

Procedure revision date: 05/24/2021

## Windshield Washer Reservoir

### Special Tool(s) / General Equipment

Fluid Suction Gun

Fluid Container

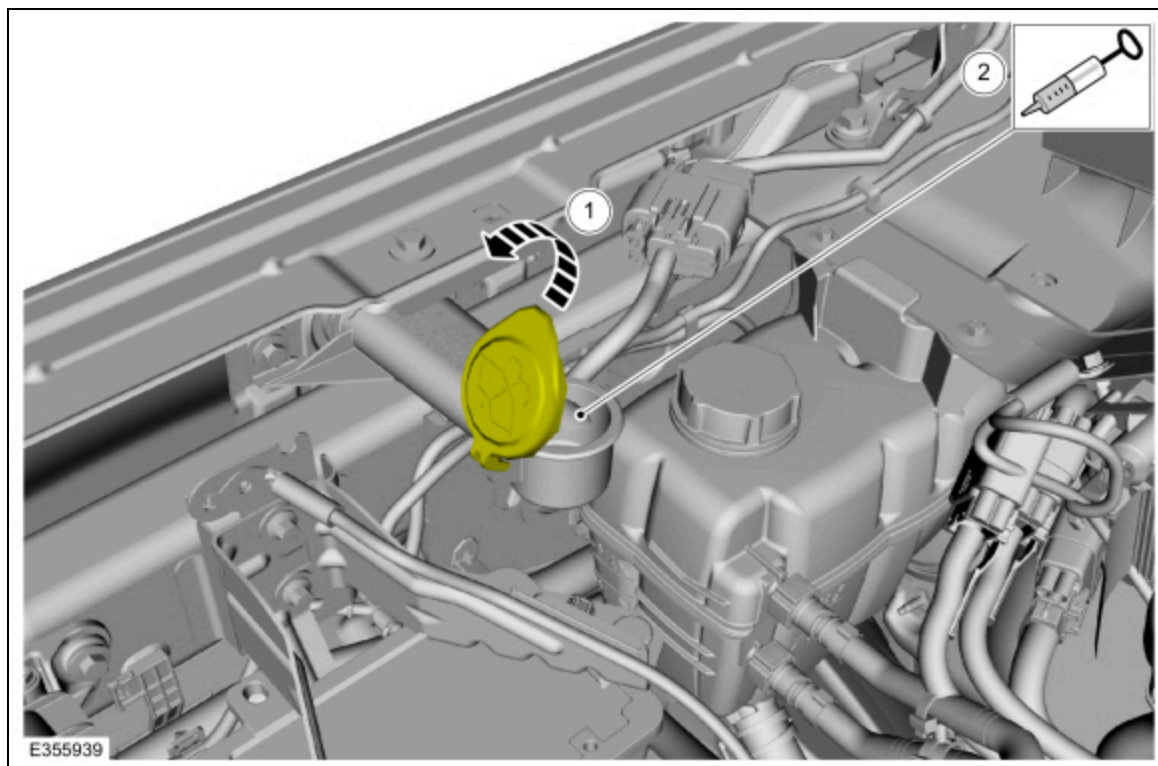
### Materials

Name	Specification
Motorcraft® Premium Windshield Wash Concentrate with Bitterant ZC-32-B2	WSS-M14P19-A

### Removal

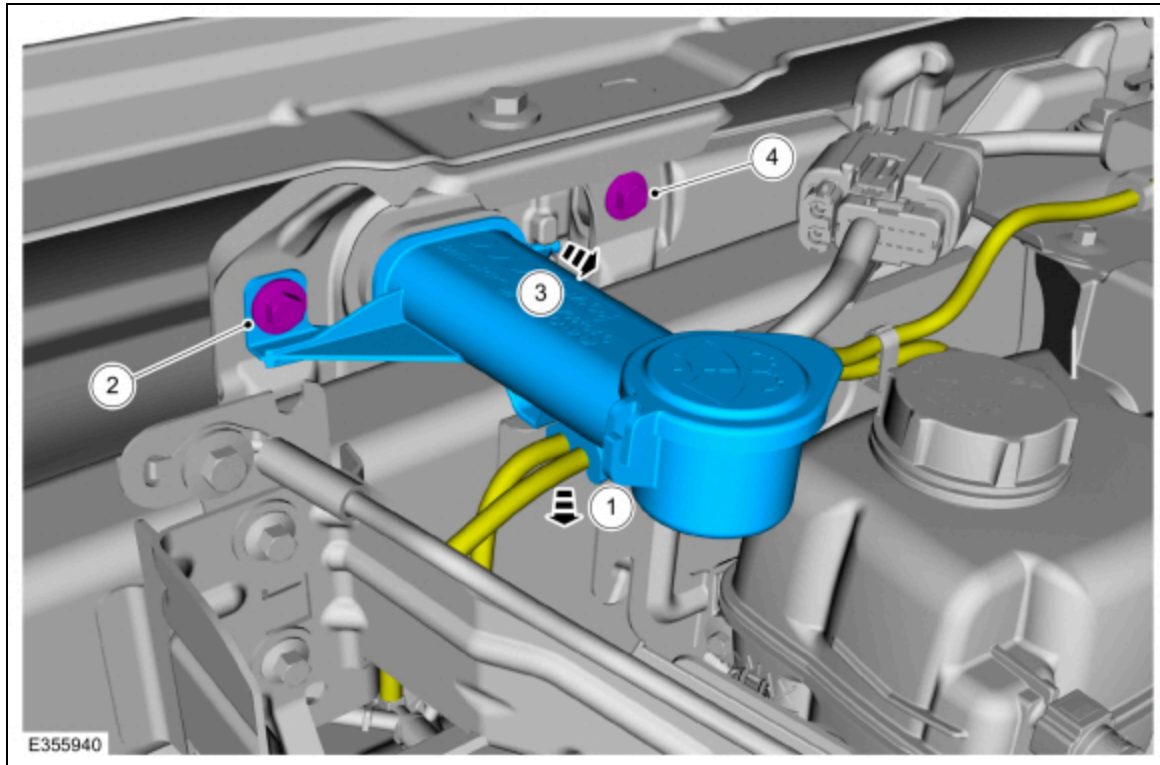
**NOTE:** Removal steps in this procedure may contain installation details.

1. Siphon the windshield washer fluid out.
  1. Open the windshield washer fluid reservoir cap.
  2. Siphon the windshield washer fluid.  
Use the General Equipment: Fluid Suction Gun  
Use the General Equipment: Fluid Container

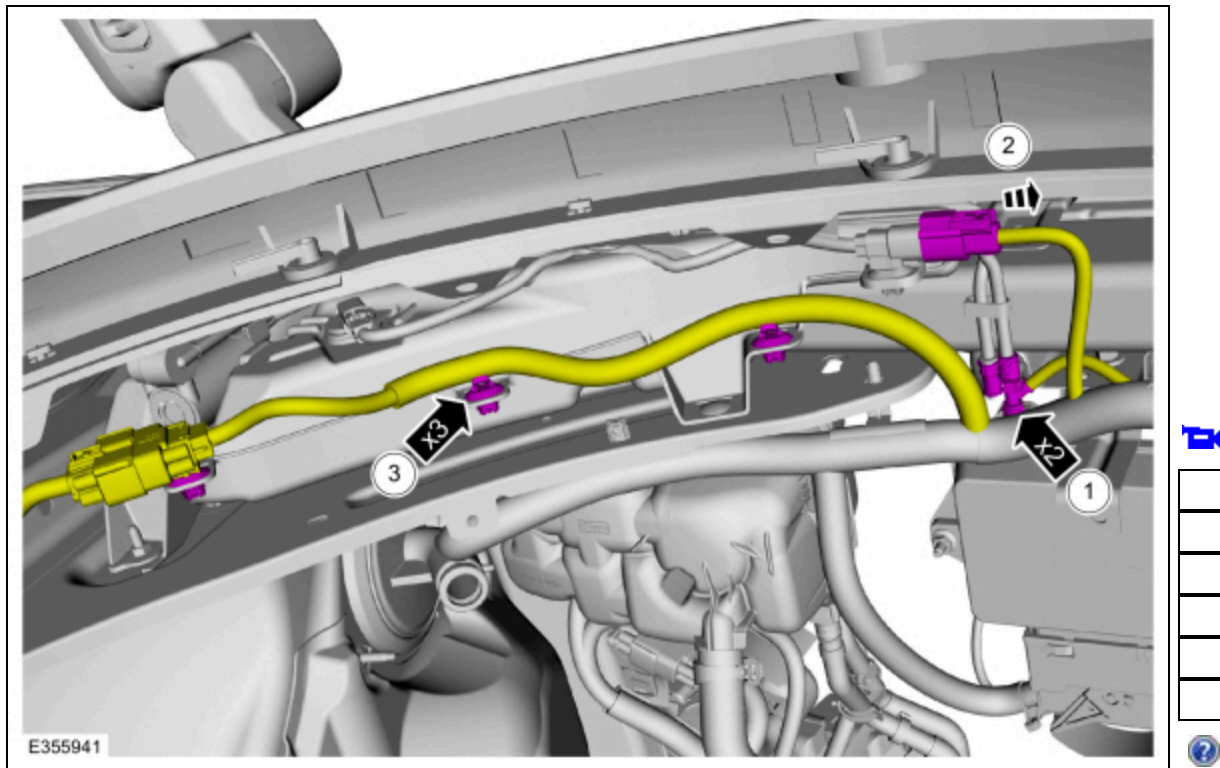


2. Remove the windshield washer fluid reservoir fill neck.
  1. Detach the windshield washer fluid hoses.
  2. Remove the windshield washer fluid reservoir fill neck retainer.  
*Torque: 42 lb.in (4.8 Nm)*

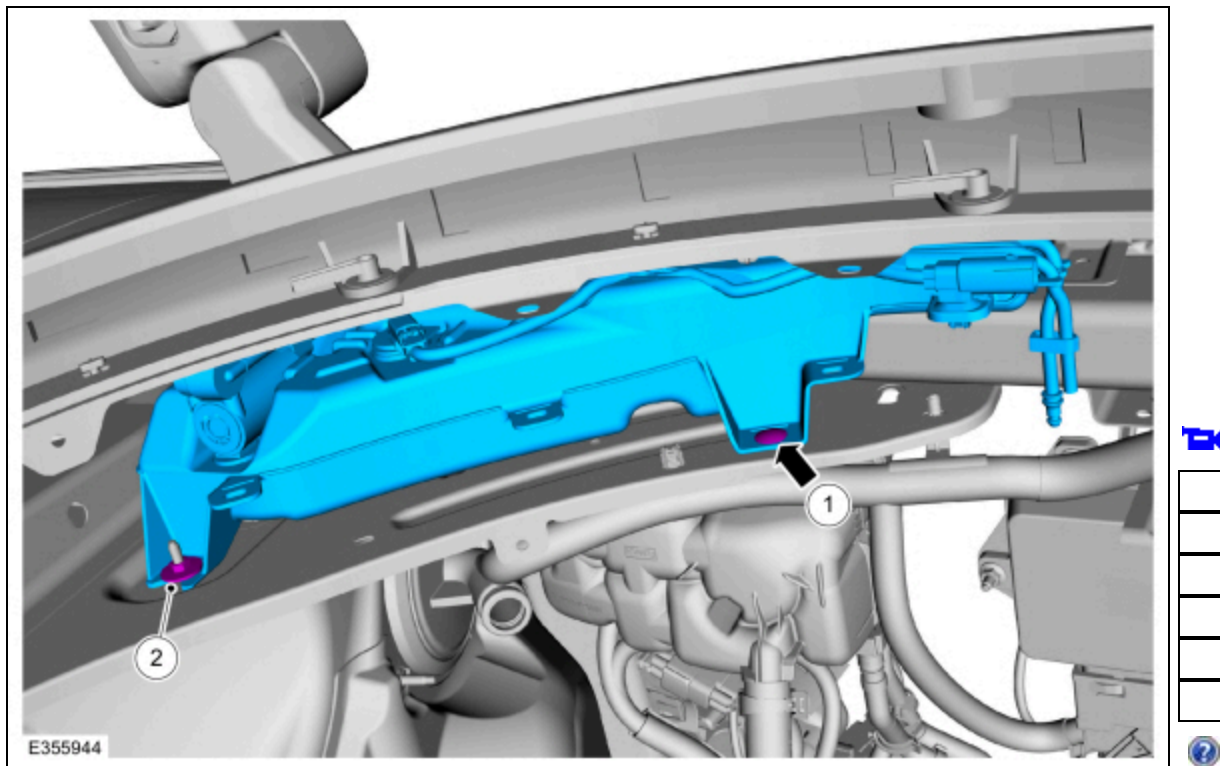
3. Remove the windshield washer fluid reservoir fill neck.
4. Remove the windshield washer fluid reservoir retainer.  
*Torque: 42 lb.in (4.8 Nm)*



3. Remove the fender splash shield.  
Refer to: [Fender Splash Shield](#) (501-02 Front End Body Panels, Removal and Installation).
4. Disconnect windshield washer fluid reservoir wiring harness and hoses.
  1. Disconnect the hoses.  
Refer to: [Washer Hose Coupling](#) (501-16 Wipers and Washers, General Procedures).
  2. Disconnect the windshield washer fluid reservoir wiring harness.
  3. Unclip and position aside the wiring harness.



5. 1. Remove the retainer.  
 2. Remove the retainer and the windshield washer fluid reservoir.  
*Torque: 42 lb.in (4.8 Nm)*



## Installation

1. **NOTICE:** Do not operate the washer pump prior to filling the windshield washer reservoir. Failure to follow this instruction may result in premature pump failure.

To install, reverse the removal procedure.

**Material:** Motorcraft® Premium Windshield Wash Concentrate with Bitterant / ZC-32-B2 (WSS-M14P19-A)

© Copyright 2024, Ford Motor Company.

---