

Windshield Header Trim Panel

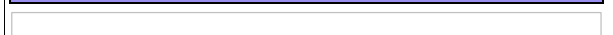
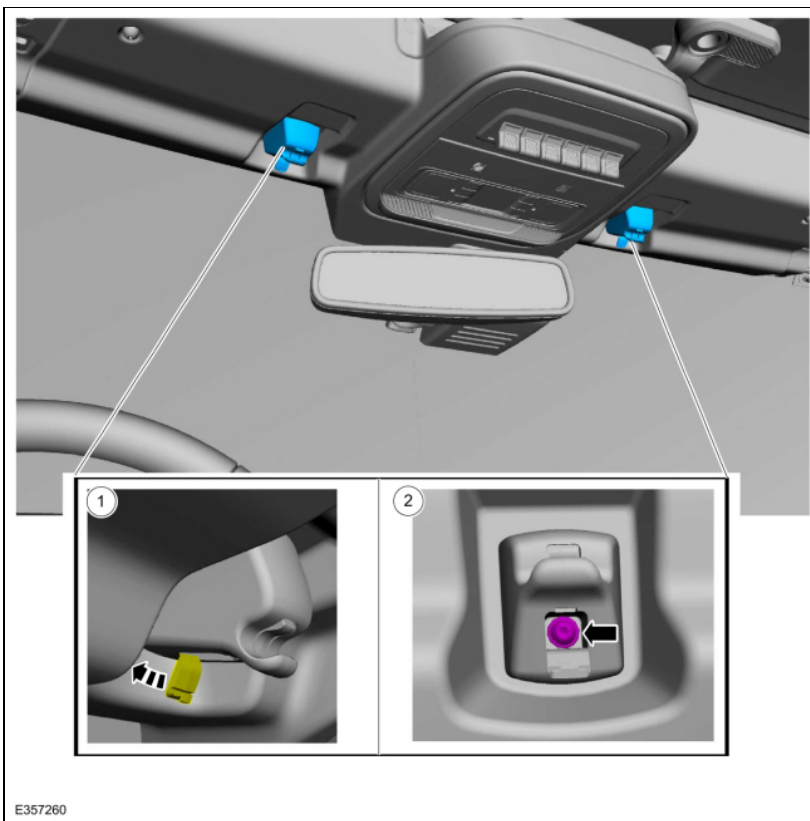


Special Tool(s) / General Equipment

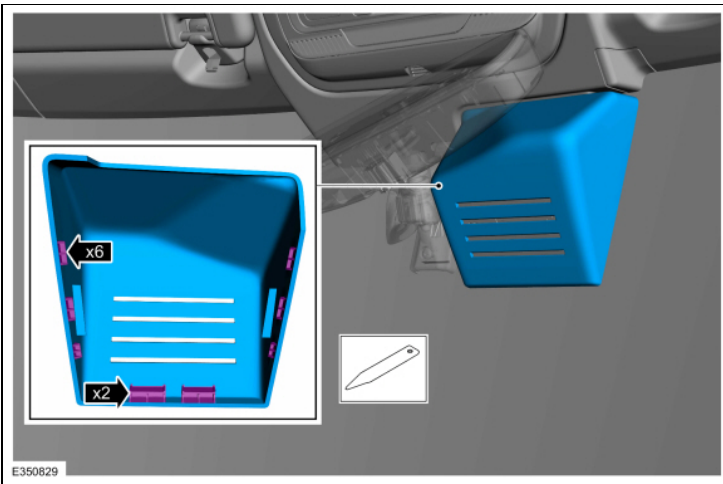
Pick Hook
Interior Trim Remover

Removal

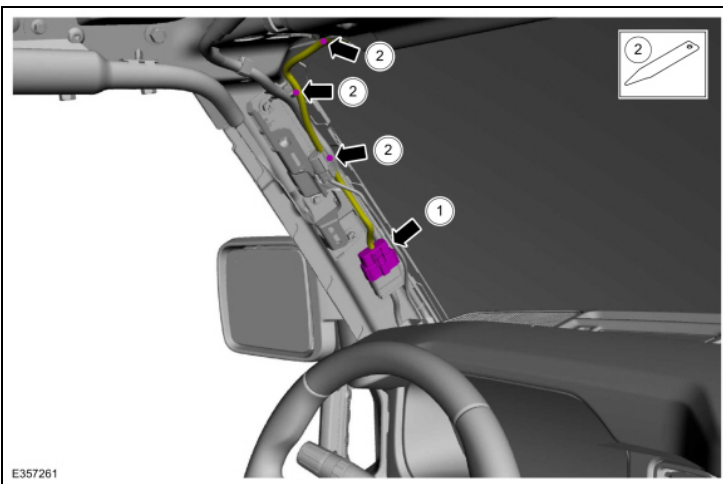
1. On both sides.
Remove the A-pillar trim panel.
Refer to: A-Pillar Trim Panel - 3-Door (501-05 Interior Trim and Oramentation, Removal and Installation).
Refer to: A-Pillar Trim Panel - 5-Door (501-05 Interior Trim and Oramentation, Removal and Installation).
2. Remove the sun visor clips.
 1. Open the sun visor clip screw cover.
Use the General Equipment: Pick Hook
 2. Remove the sun visor clip screw.



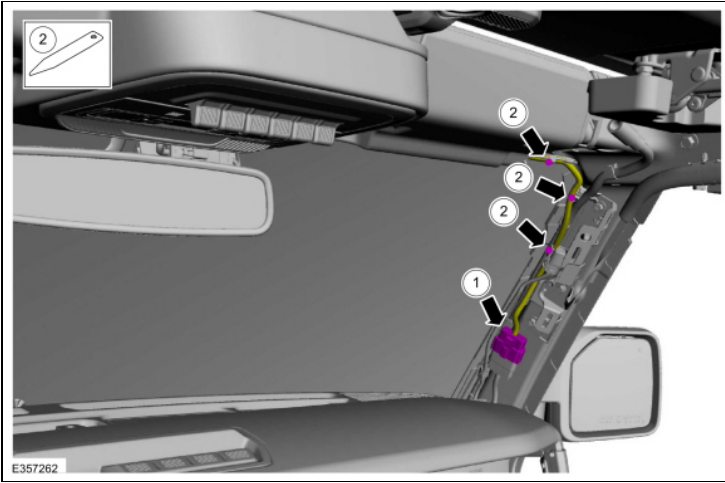
3. If equipped.
Release the tabs and remove the IPMA cover.
Use the General Equipment: Interior Trim Remover



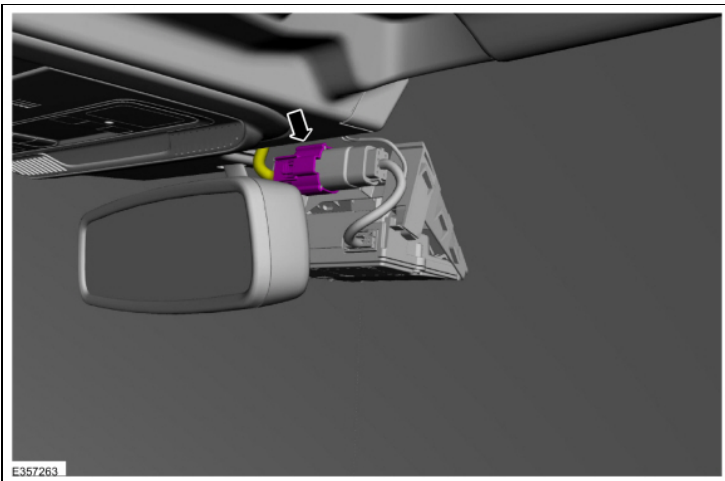
4. On the LH side.
 Position the wiring harness aside.
1. Disconnect the wiring harness electrical connector.
 2. Release the wiring harness retainers.
 Use the General Equipment: Interior Trim Remover



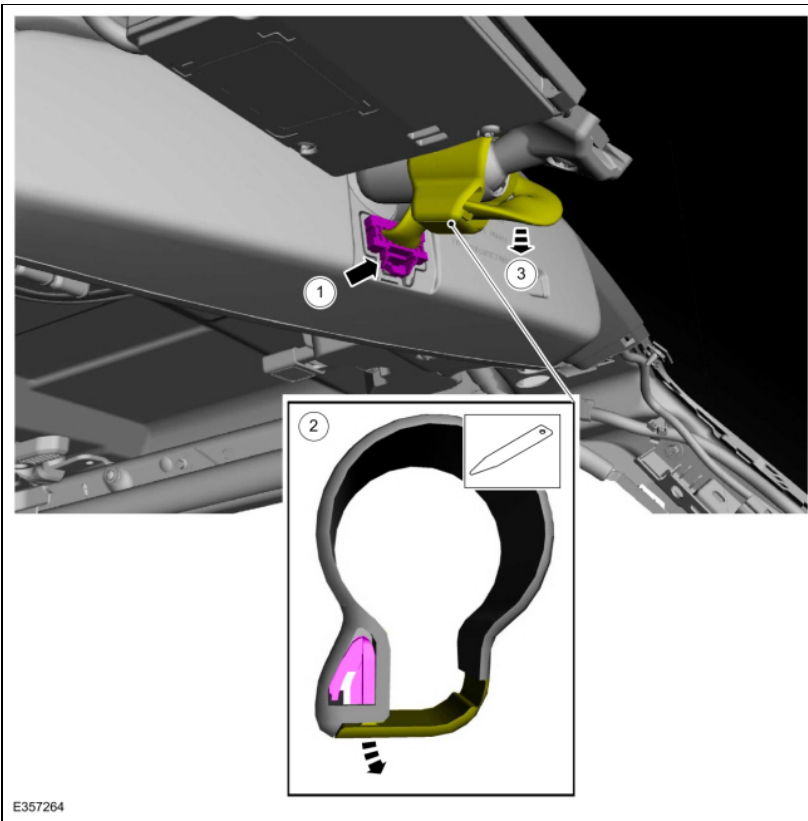
5. On the RH side.
 Position the wiring harness aside.
1. Disconnect the wiring harness electrical connector.
 2. Release the wiring harness pin-type retainers.
 Use the General Equipment: Interior Trim Remover



6. If equipped.
Disconnect the IPMA and rain sensor jumper wire harness electrical connector.



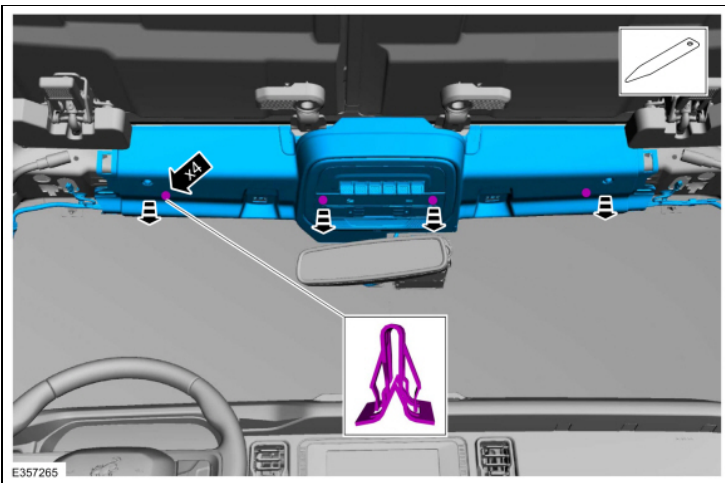
7. If equipped.
Disconnect the interior rear view mirror electrical connector and position aside.
1. Disconnect the rear view mirror electrical connector.
 2. Release the clip and open the rear view mirror wiring harness retainer.
Use the General Equipment: Interior Trim Remover
 3. Position the rear view mirror wiring harness aside.



E357264



8. Release the clips and remove the windshield header trim panel.
Use the General Equipment: Interior Trim Remover



E357265



Installation

1. **NOTE:** *If installing a new windshield header trim panel, transfer parts as necessary.*
To install, reverse the removal procedure.