

Transfer Case Draining and Filling

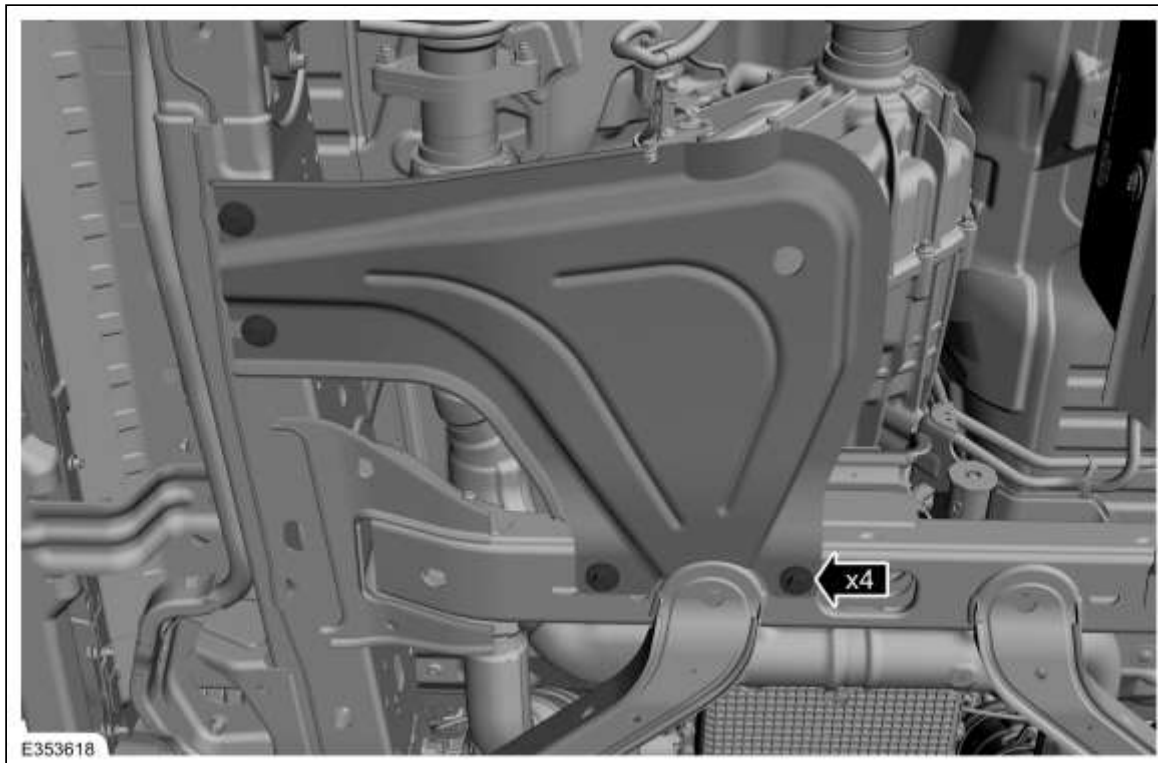


Materials

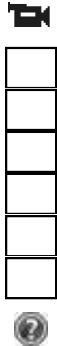
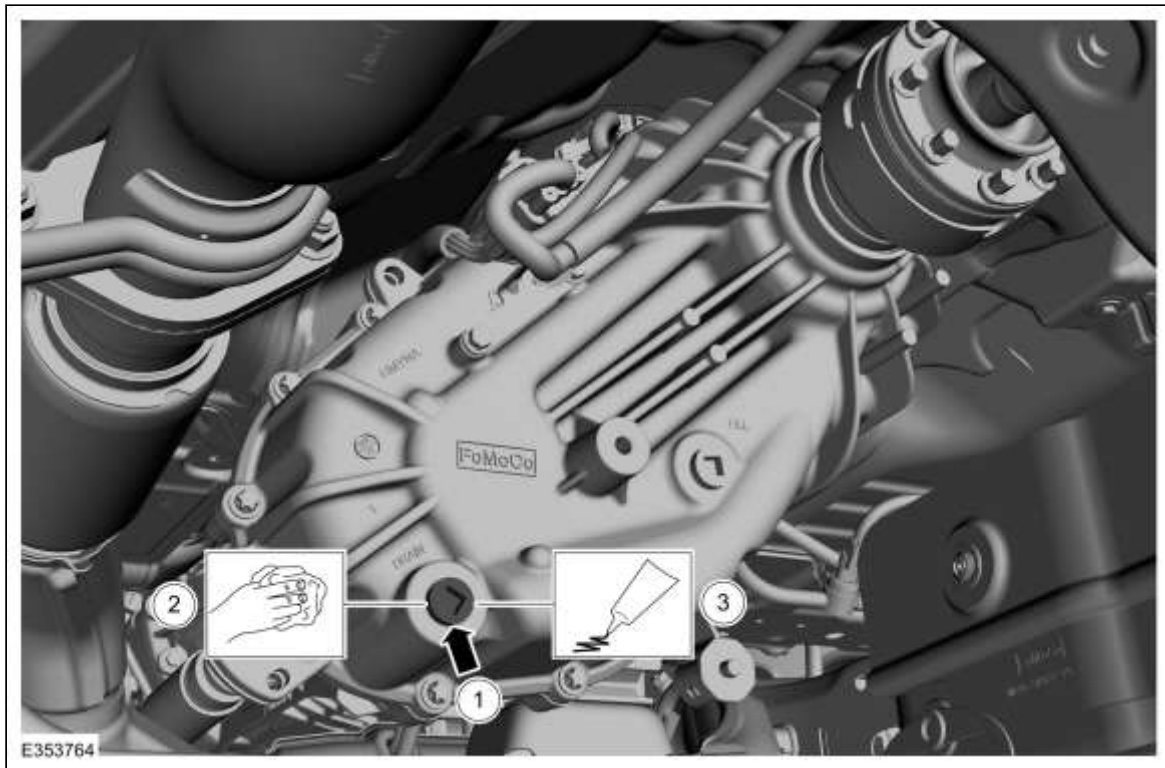
Name	Specification
Motorcraft® Thread Sealant with PTFE TA-24-B	WSK-M2G350-A2
Motorcraft® MERCON® LV Automatic Transmission Fluid XT-10-QLVC	WSS-M2C938-A

Draining

- With the vehicle in NEUTRAL, position it on a hoist.
Refer to: [Jacking and Lifting](#) (100-02 Jacking and Lifting, Description and Operation).
- If equipped.
Remove the skid plate bolts and the skid plate.

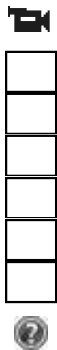
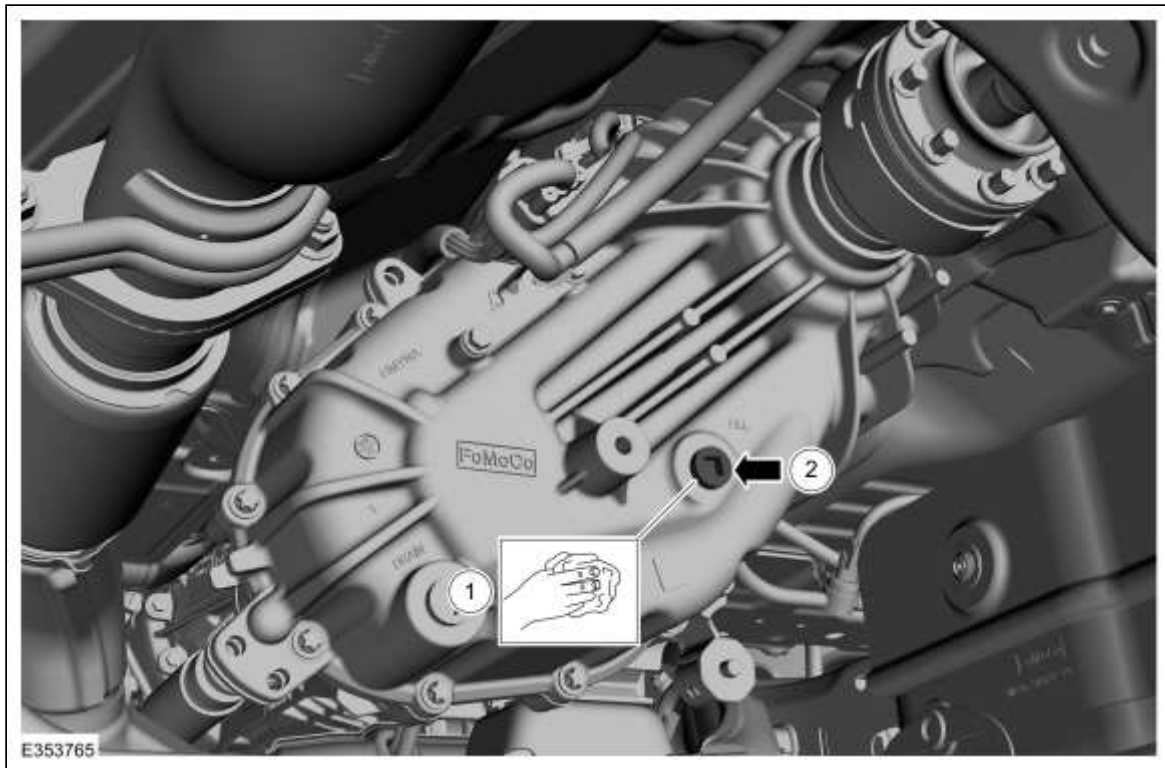


- Remove the drain plug and drain the fluid.
 - Clean the drain plug and the area around drain plug.
 - Apply thread sealant to the drain plug threads and install the drain plug.
Material: Motorcraft® Thread Sealant with PTFE / TA-24-B (WSK-M2G350-A2)
Torque: 18 lb.ft (25 Nm)



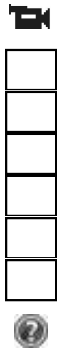
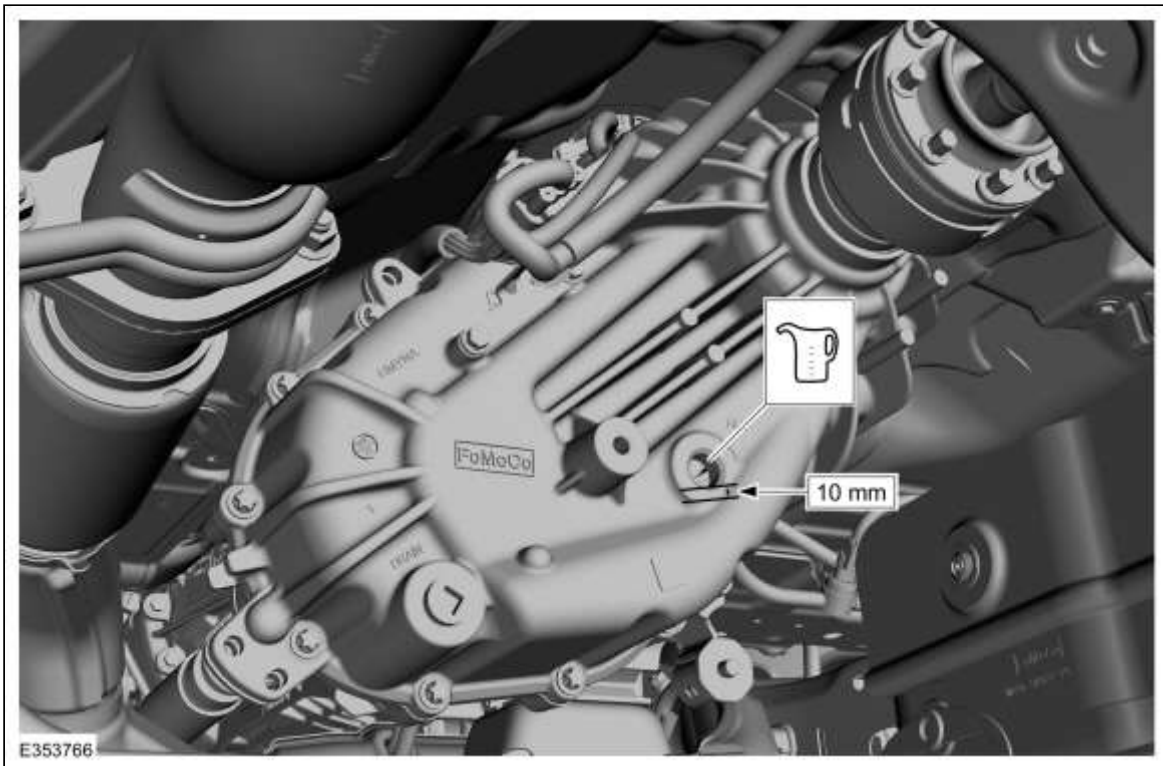
Filling

1. 1. Clean the filler plug and the area around filler plug.
2. Remove the filler plug.

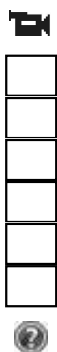
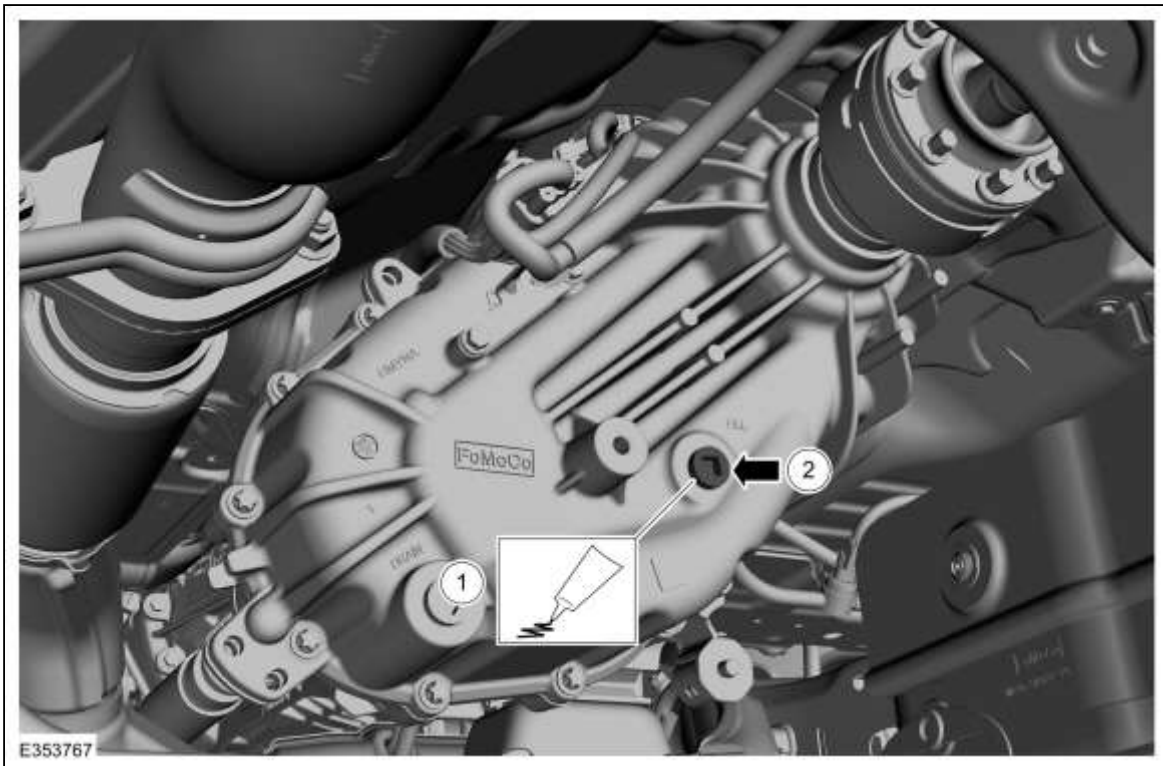


2. Fill the transfer case with 1.55L (2.7 pt) of clean fluid. The transfer case fluid must be within 10mm (0.393 in) below the filler plug hole.

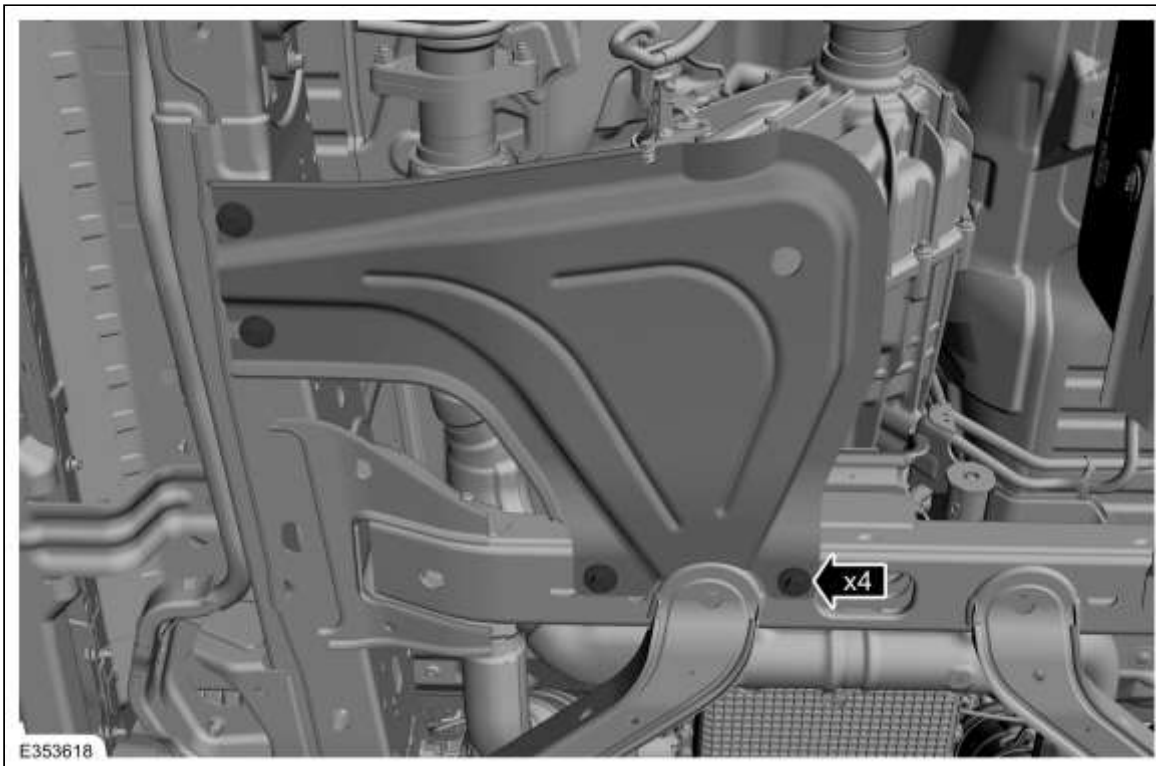
Material: Motorcraft® MERCON® LV Automatic Transmission Fluid / XT-10-QLVC (WSS-M2C938-A)



3.
 1. Apply thread sealant to the filler plug threads.
Material: Motorcraft® Thread Sealant with PTFE / TA-24-B (WSK-M2G350-A2)
 2. Install the filler plug.
Torque: 18 lb.ft (25 Nm)



4. If equipped.
Install the skid plate bolts and the skid plate.
Torque: 22 lb.ft (30 Nm)



E353618