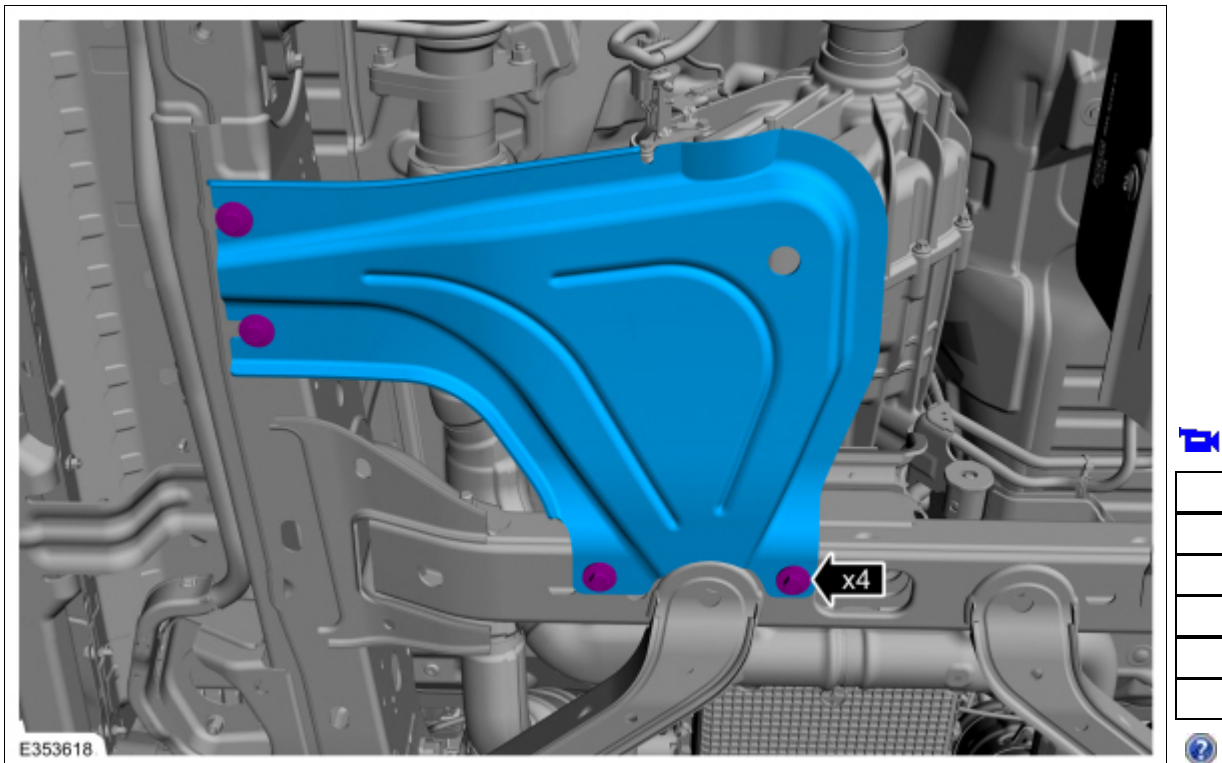


## Transfer Case Draining and Filling

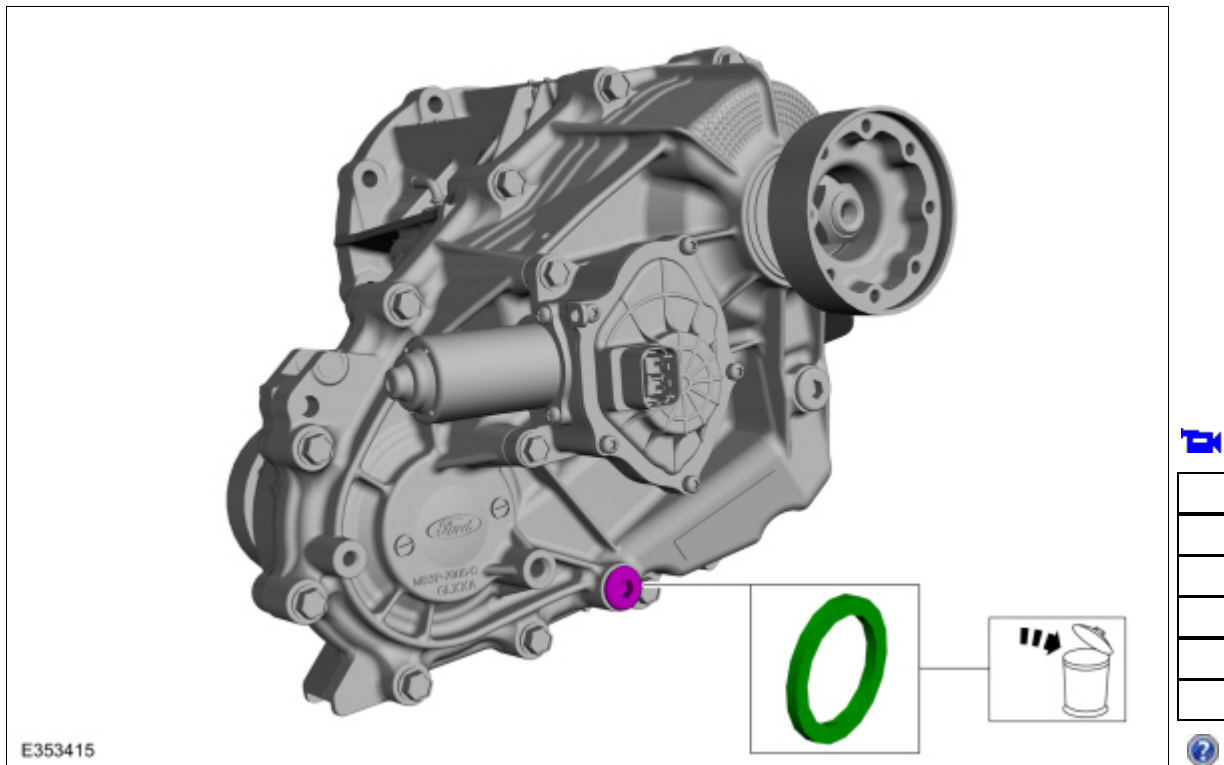
### Draining

1. With the vehicle in NEUTRAL, position it on a hoist.  
Refer to: [Jacking and Lifting](#) (100-02 Jacking and Lifting, Description and Operation).
2. If equipped.  
Remove the skid plate bolts and the skid plate.



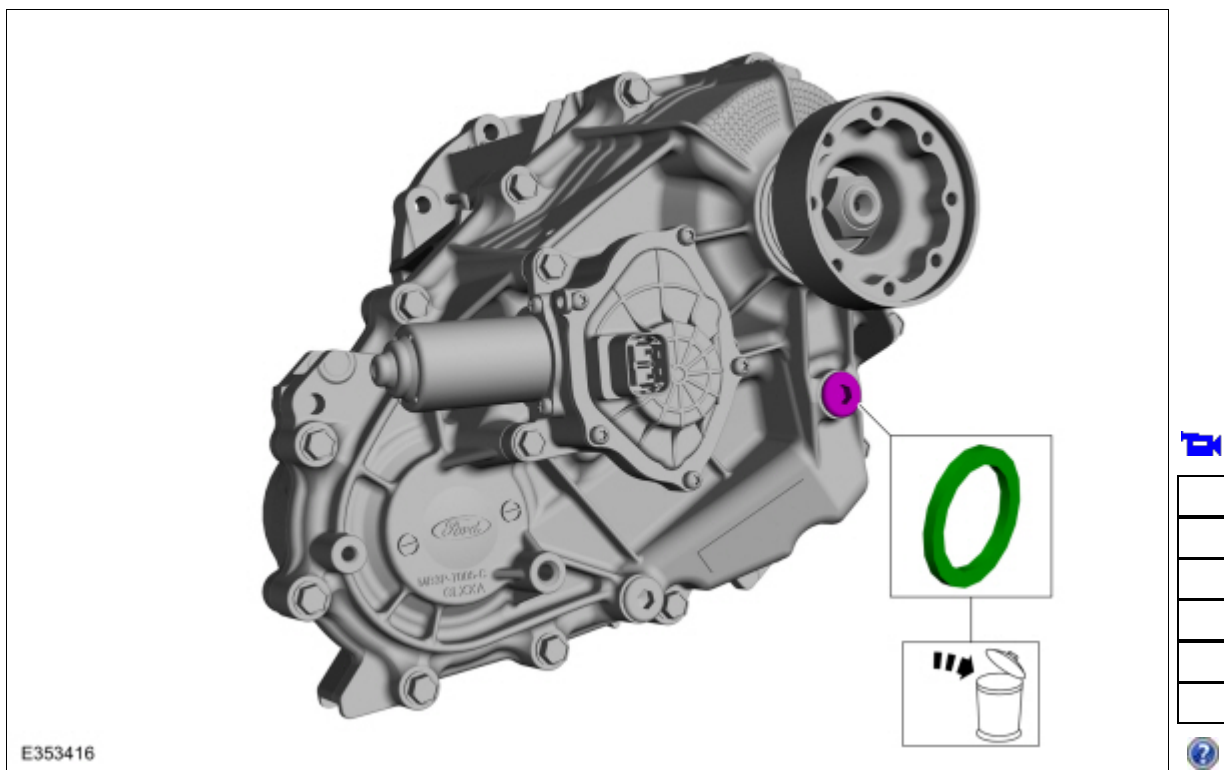
3.
  1. Remove the drain plug and drain the fluid.
  2. **NOTE:** Make sure a new seal is used.

Install the drain plug with new seal.  
*Torque:* 26 lb.ft (35 Nm)

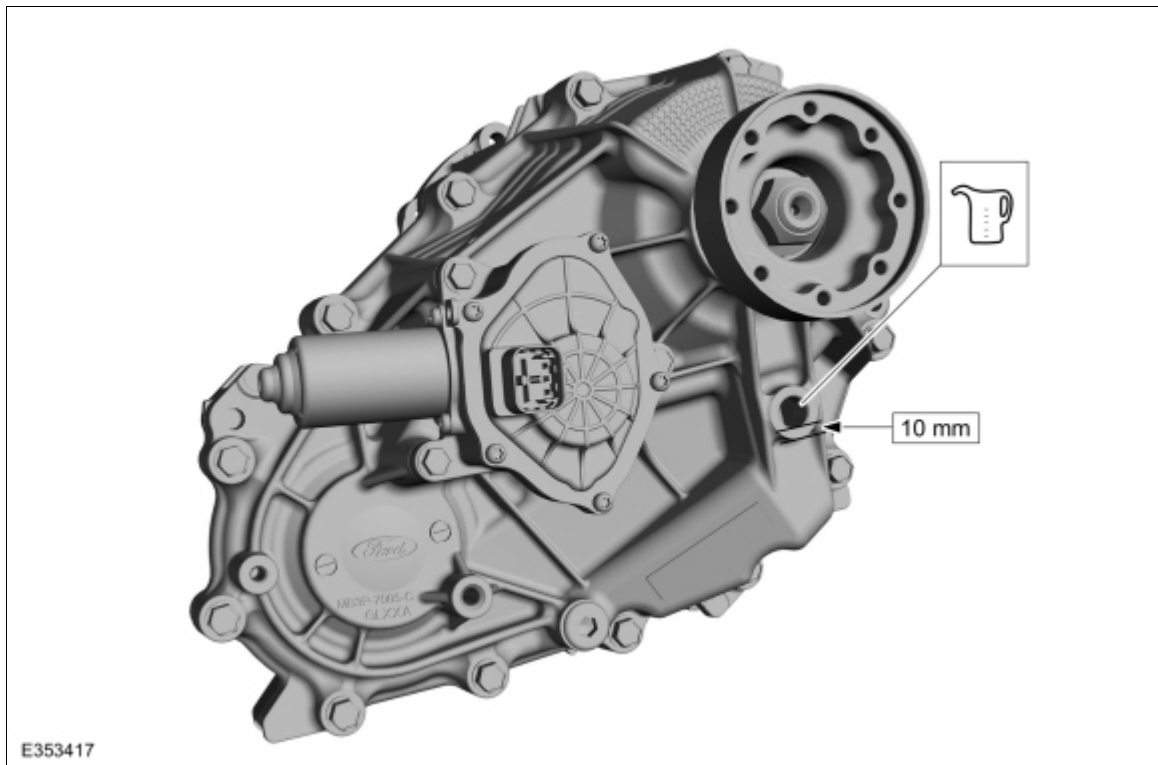


## Filling

1. Remove the filler plug and discard the seal.

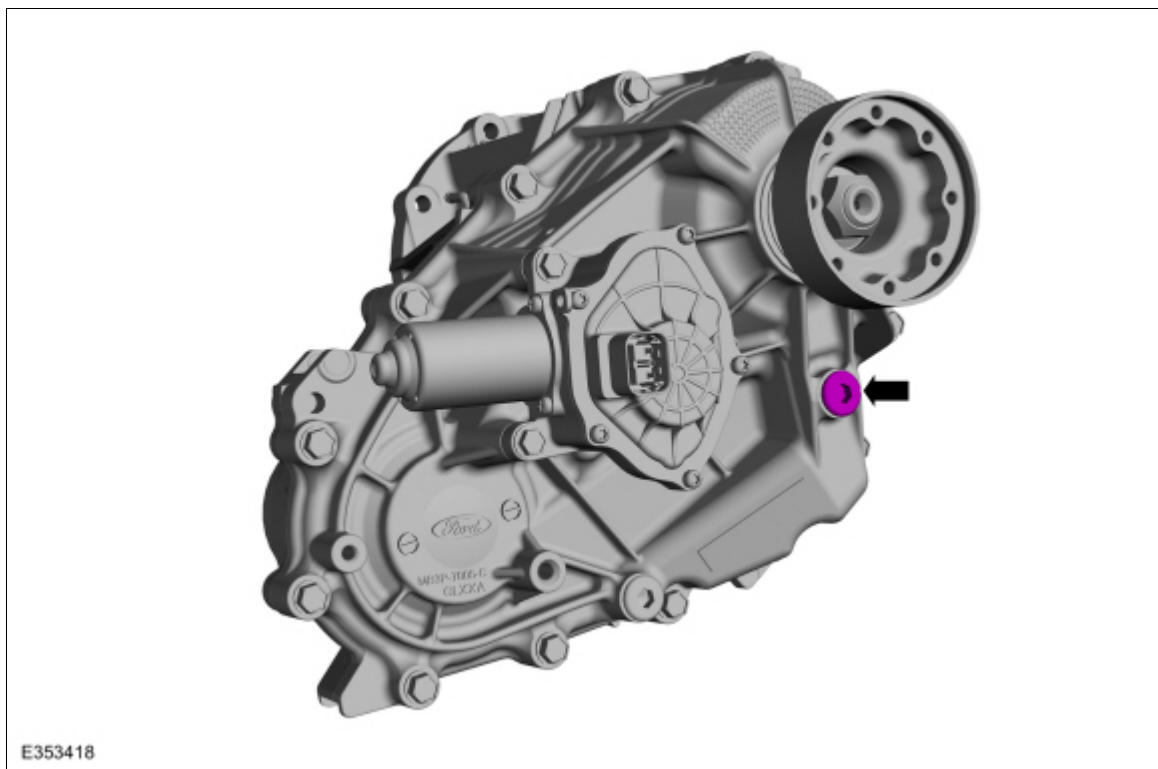


2. Fill the transfer case with specified fluid.  
Fluid must be filled to within 10 mm (0.393 in) below the fill plug hole.  
Refer to: [Specifications](#) (307-07C Transfer Case - 10-Speed Automatic Transmission – 10R60, Vehicles With: 4x4 with Part Time Engagement, Specifications).

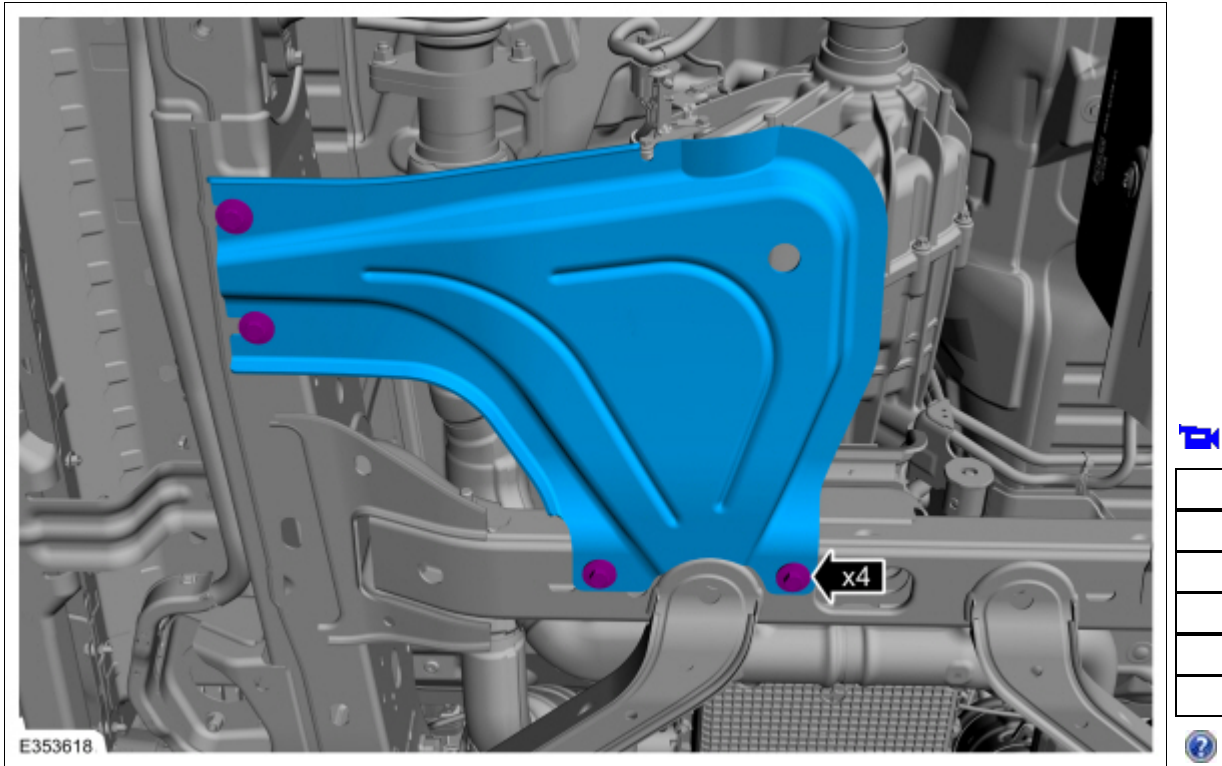


3. **NOTE:** Make sure a new seal is used.

Install the filler plug.  
Torque: 26 lb.ft (35 Nm)



4. If equipped.  
Install the skid plate bolts and the skid plate.  
Torque: 22 lb.ft (30 Nm)



© Copyright 2025, Ford Motor Company.