

Rear Lamp Assembly

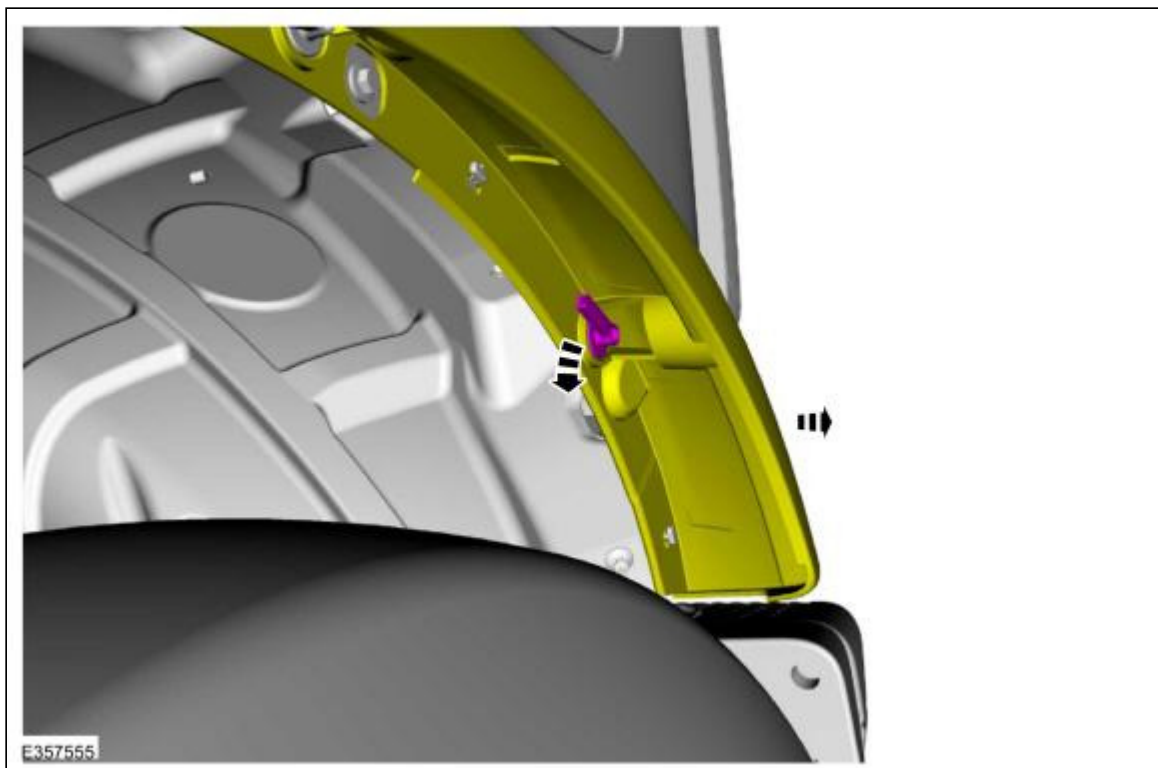


Removal

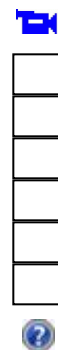
NOTE: Removal steps in this procedure may contain installation details.

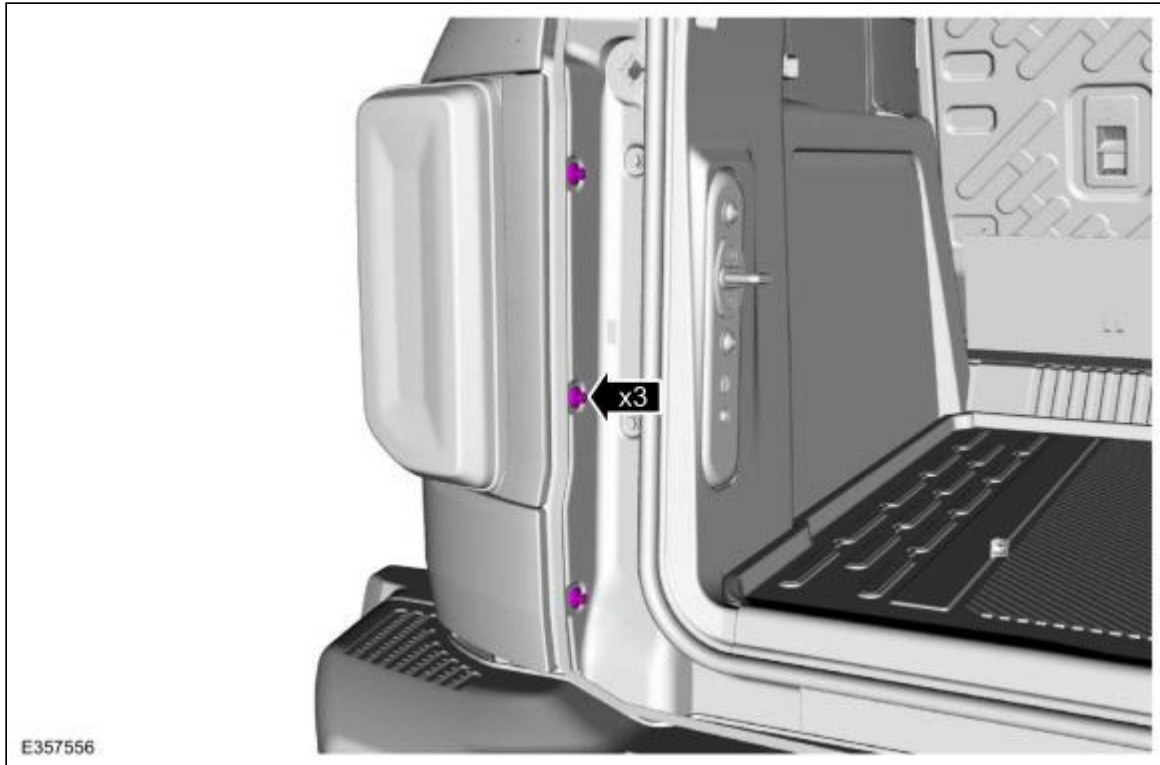
NOTE: Left hand side shown, right hand similar.

1. Loosen the rearmost fender flare-quarter turn fastener and position out the wheel moulding.

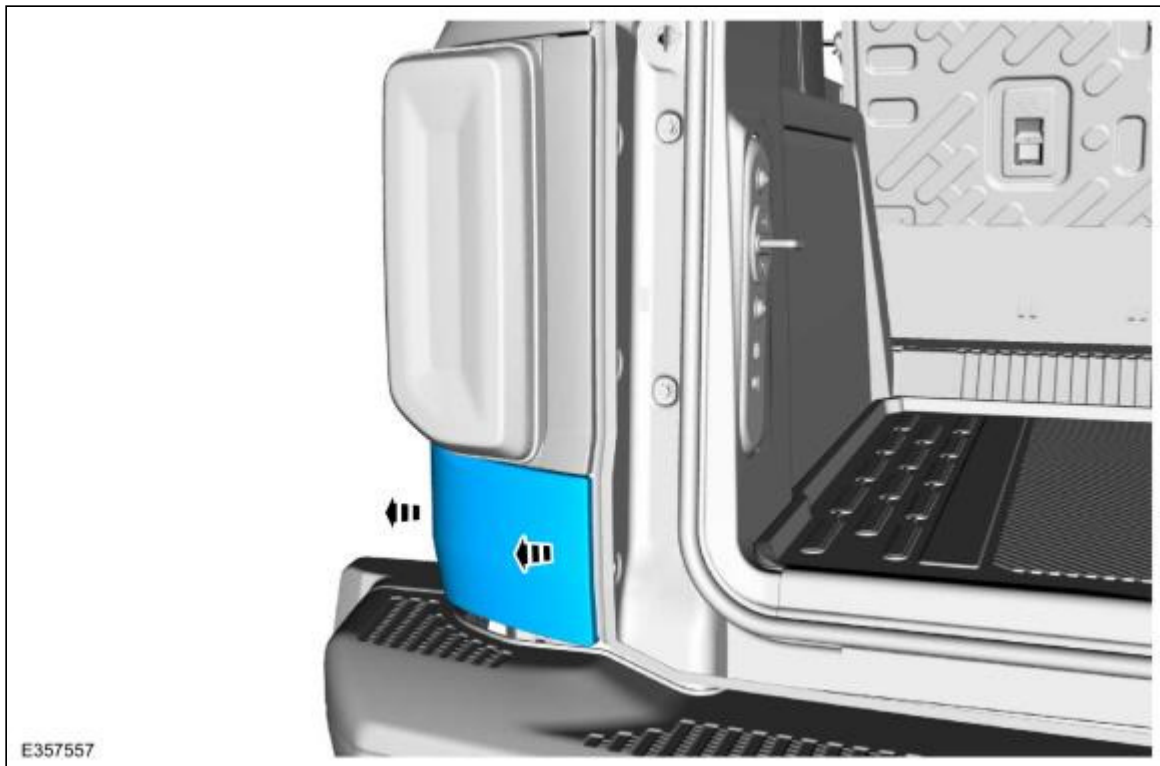


2. Remove the pushpins from the inside trim panel.





3. Remove the lower trim piece by disengaging the retaining tabs. Pull from the inside edge first, then pull from the outside edge.



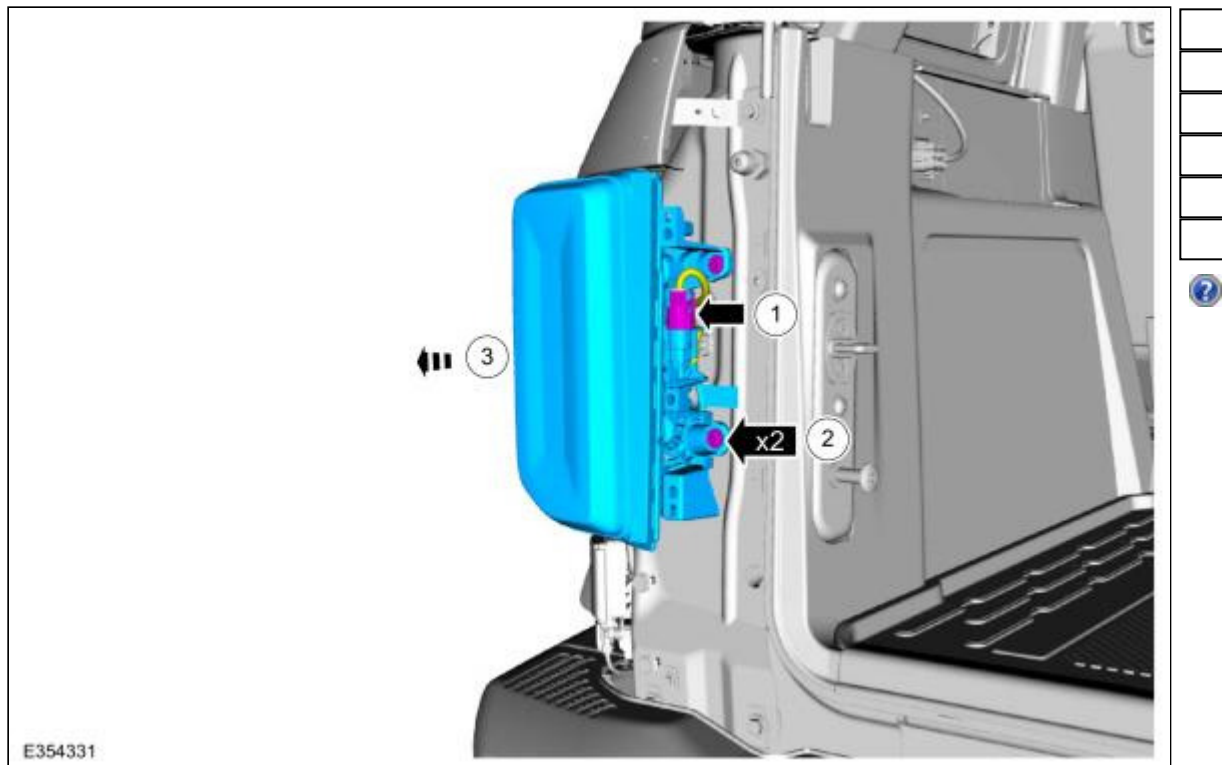
4. Remove the lower retaining bolt from the inside trim piece. Pull on the lower part of the trim piece to disengage the upper retaining clips.



5. Remove the rear lamp assembly side screw.
Torque: 28 lb.in (3.2 Nm)



6. Remove the rear lamp assembly.
1. Disconnect the rear lamp assembly electrical connector.
 2. Remove the rear lamp assembly screws.
Torque: 28 lb.in (3.2 Nm)
 3. Remove the rear lamp assembly by pulling rearward.



Installation

1. To install, reverse the removal procedure.

© Copyright 2021, Ford Motor Company.
