

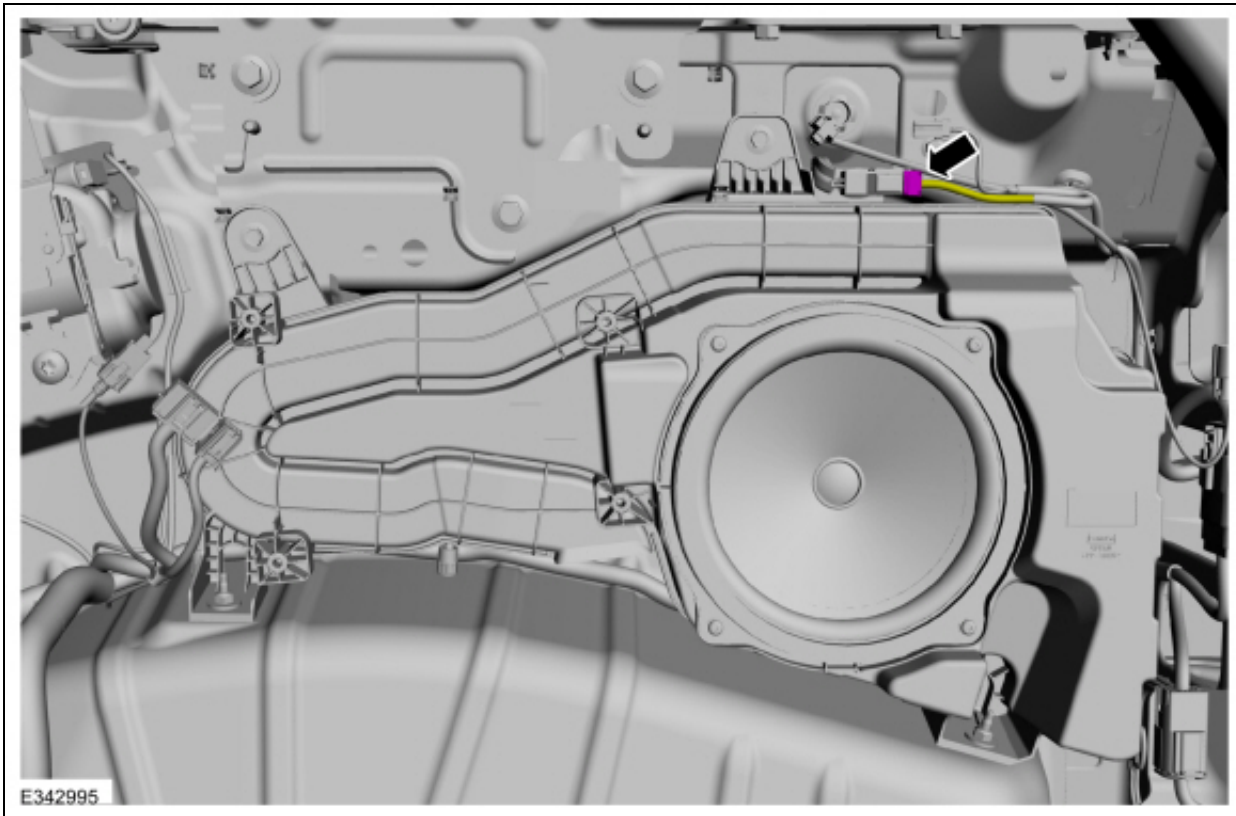
## Subwoofer Speaker

### Removal

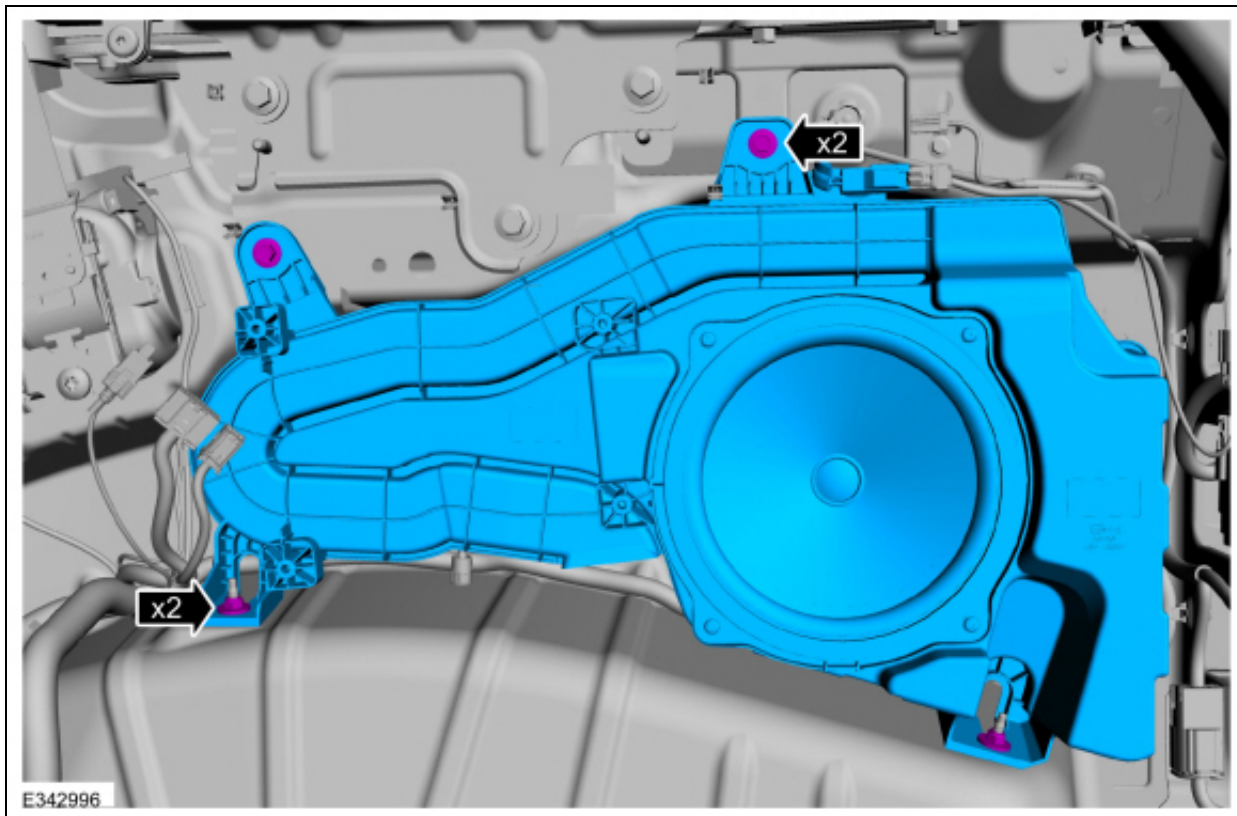
**NOTE:** Removal steps in this procedure may contain installation details.

**NOTE:** The 5-door subwoofer speaker is shown, the 3-door subwoofer speaker is similar.

1. Remove the DSP.  
Refer to: [Audio Digital Signal Processing \(DSP\) Module](#) (415-00 Information and Entertainment System - General Information, Removal and Installation).
2. Disconnect the electrical connector.



3. Remove the nuts, the bolts and the subwoofer speaker.  
*Torque:* 62 lb.in (7 Nm)



### Installation

1. To install, reverse the removal procedure.

© Copyright 2022, Ford Motor Company.