

Rear Door Trim Panel

Special Tool(s) / General Equipment

Pick Hook
Interior Trim Remover

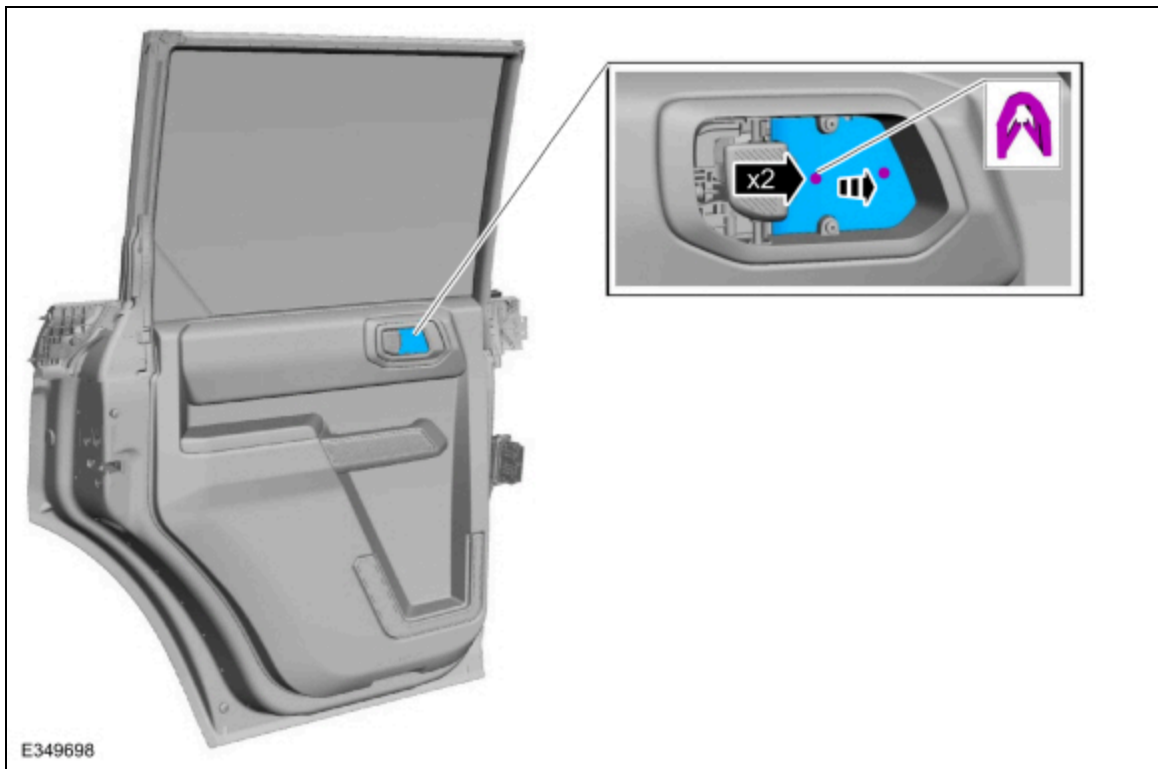
Removal

NOTE: Left hand (LH) shown, right hand (RH) similar.

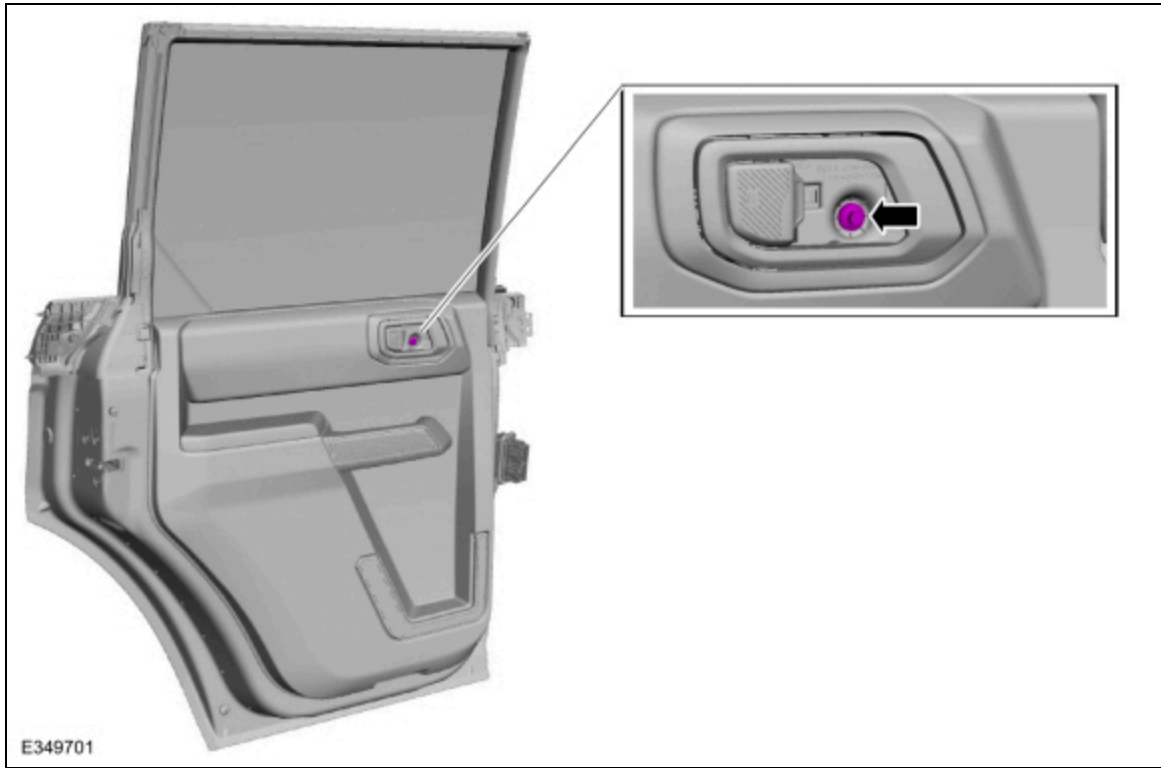
NOTE: Removal steps in this procedure may contain installation details.

1. **NOTE:** Interior rear door handle removed for clarity.

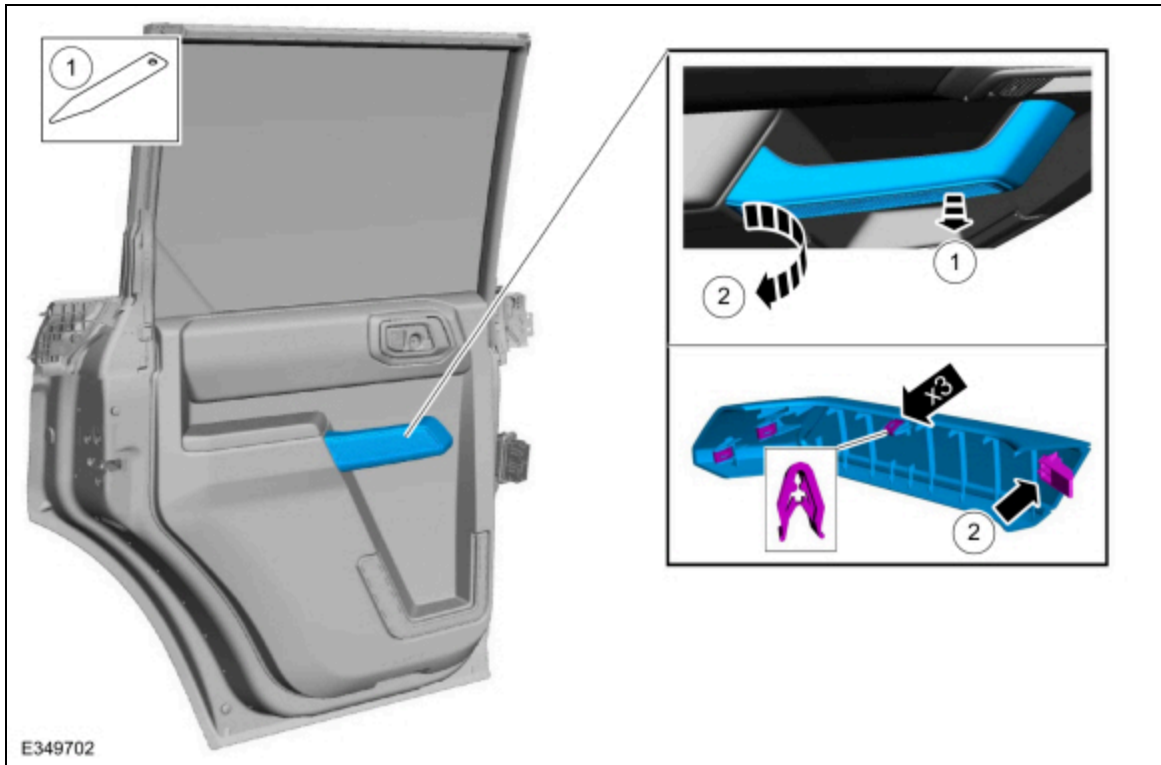
Release the clips and remove the interior rear door handle bolt cover.
Use the General Equipment: Pick Hook



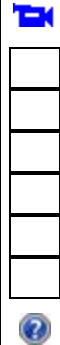
2. Remove the interior rear door handle bolt.
Torque: 36 lb.in (4.1 Nm)



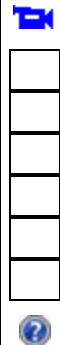
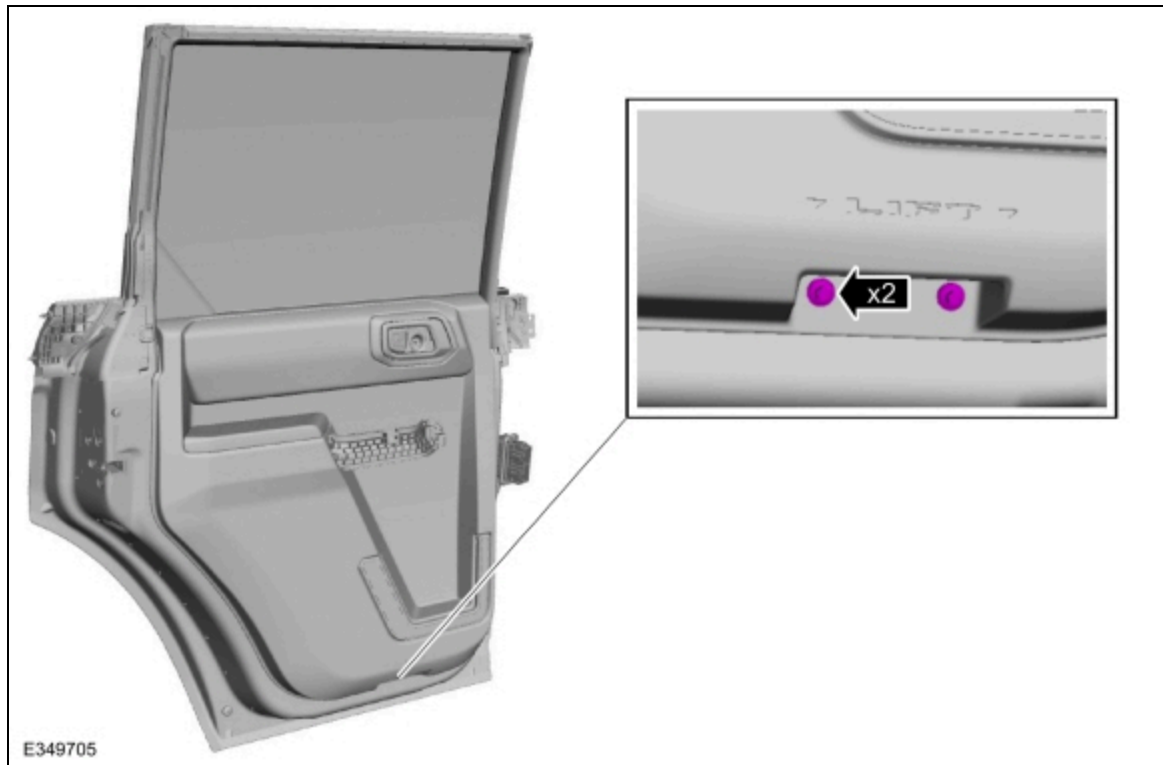
3. Remove the rear door trim panel bolt cover.
 1. Release the clips.
Use the General Equipment: Interior Trim Remover
 2. Release the rear tab.



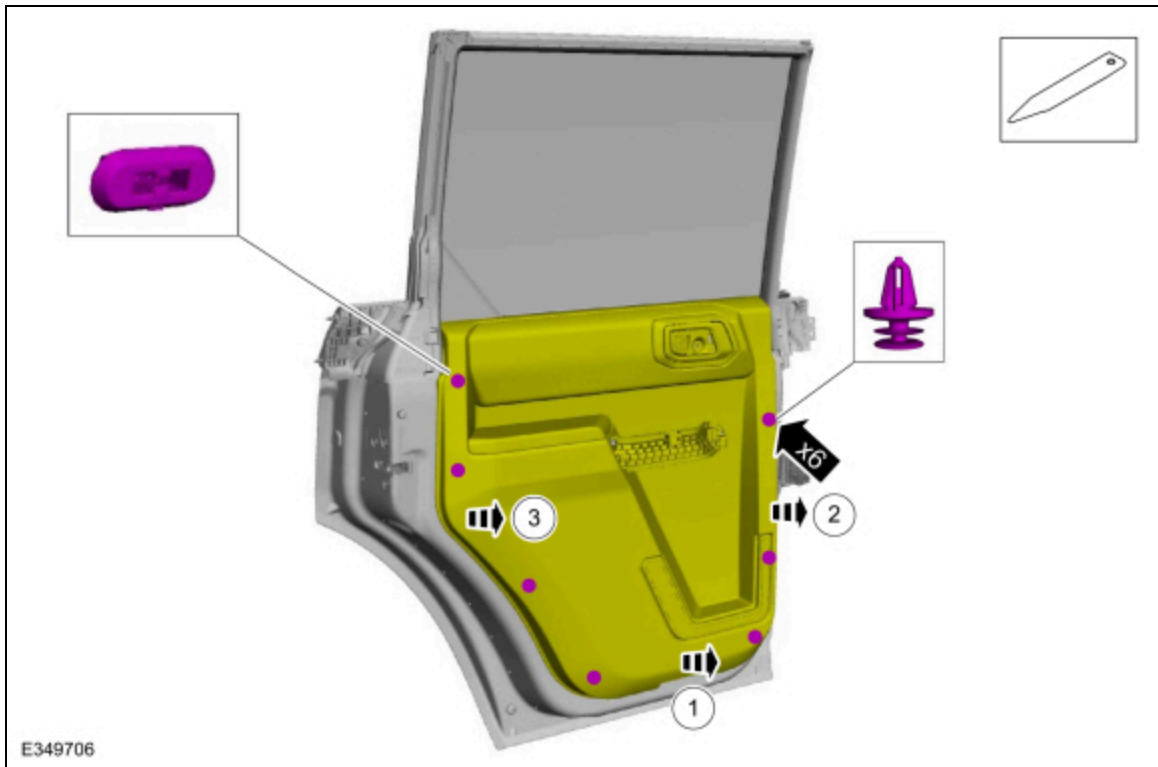
4. Remove the rear door trim panel bolts.
Torque: 36 lb.in (4.1 Nm)



5. Remove the rear door trim panel lower bolts.
Torque: 36 lb.in (4.1 Nm)



6. Release the rear door trim panel clips.
1. Release the rear door trim panel lower clips.
 Use the General Equipment: Interior Trim Remover
 2. Release the rear door trim panel RH side clips.
 Use the General Equipment: Interior Trim Remover
 3. Release the rear door trim panel LH side clips.
 Use the General Equipment: Interior Trim Remover



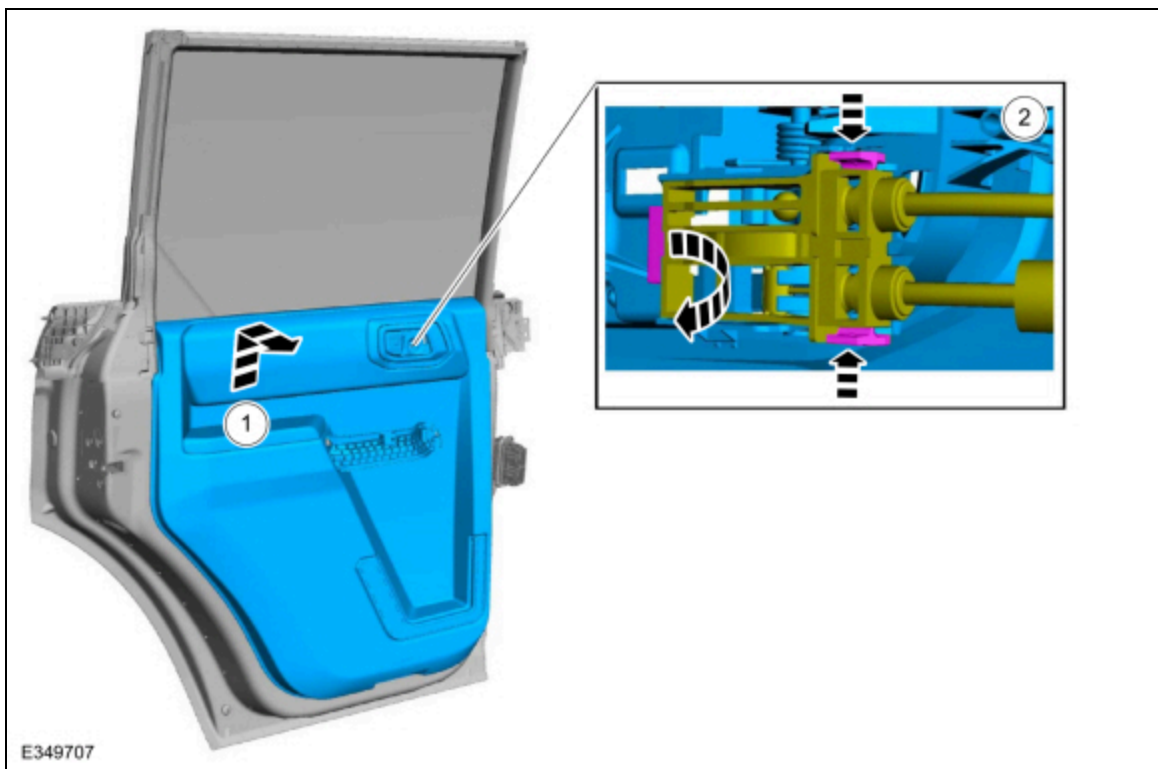
7. **NOTICE:** For re-installation, the tabs must be re-engaged to prevent the interior front door handle from becoming non-functional.

Remove the rear door trim panel.

1. Lift upward and outward on the rear door trim panel.

2. **NOTE:** Follow the unique instructions or graphic for this step in installation.

Release the tabs and position the interior rear door cable aside.



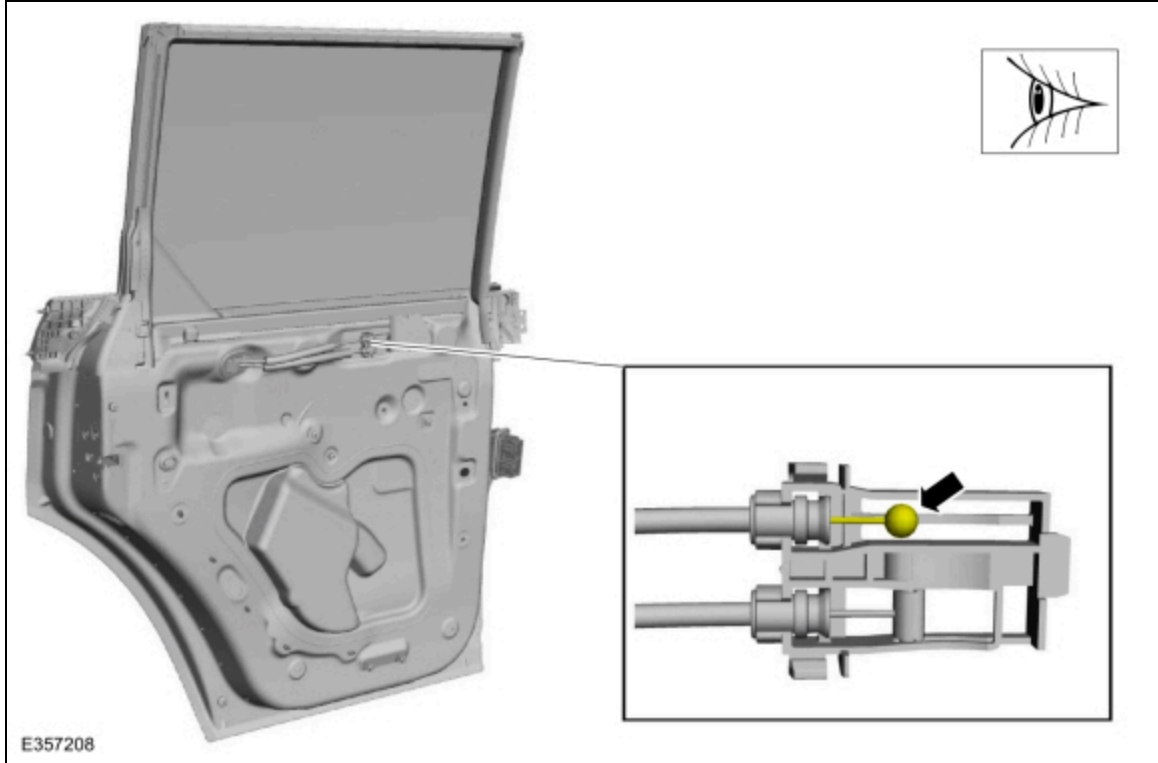
Installation

1. **NOTE:** *If installing a new door trim panel, transfer parts as necessary.*

To install, reverse the removal procedure.

2. **NOTICE:** **The manual door lock cable must be in the locked position prior to reassembly or the door lock feature may not function correctly after installation.**

Verify that the manual lock cable is placed inward to the locked position.



E357208

© Copyright 2024, Ford Motor Company.