

## Overhead Speaker

### Special Tool(s) / General Equipment

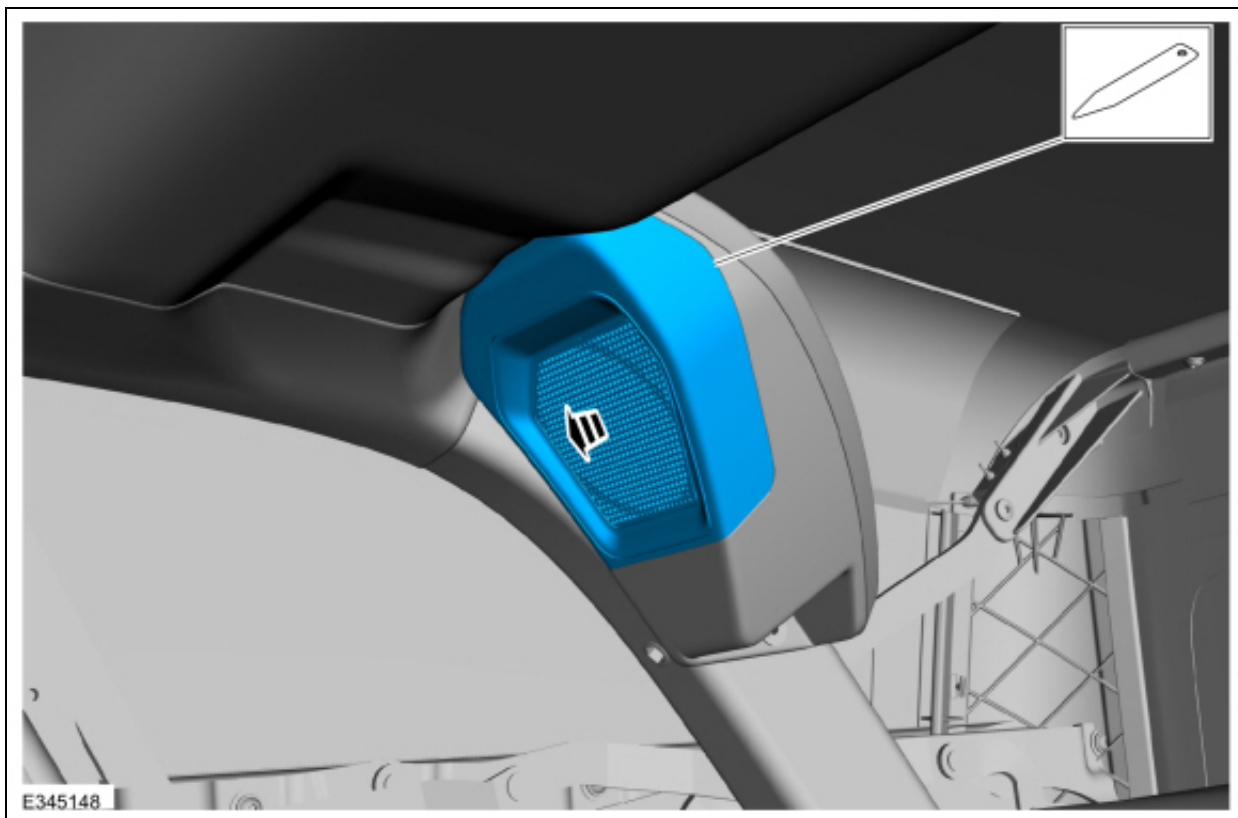
Interior Trim Remover

### Removal

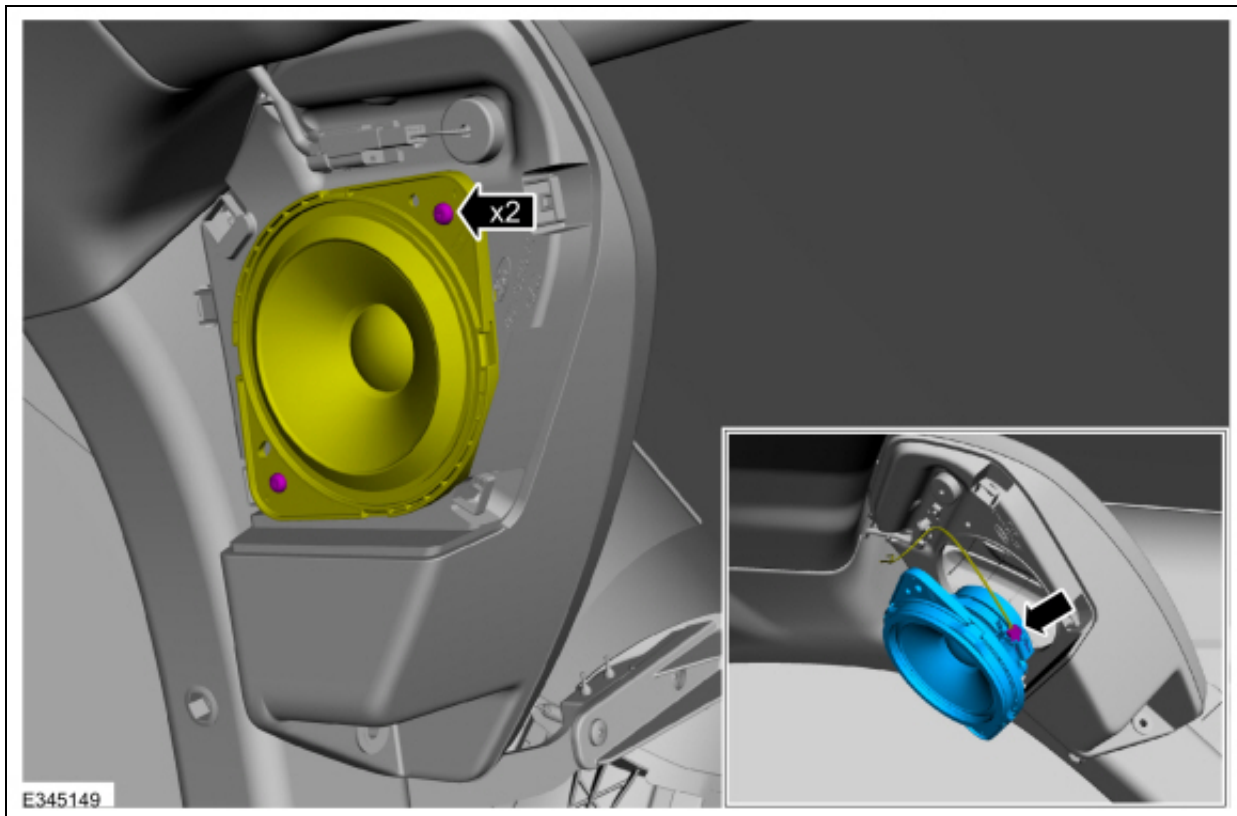
**NOTE:** Removal steps in this procedure may contain installation details.

**NOTE:** Right hand overhead speaker is shown, left hand speaker is similar.

1. Remove the overhead speaker grille.  
Use the General Equipment: Interior Trim Remover



2. Remove the screws, disconnect the electrical connector and remove the overhead speaker.



### Installation

1. To install, reverse the removal procedure.

© Copyright 2022, Ford Motor Company.