

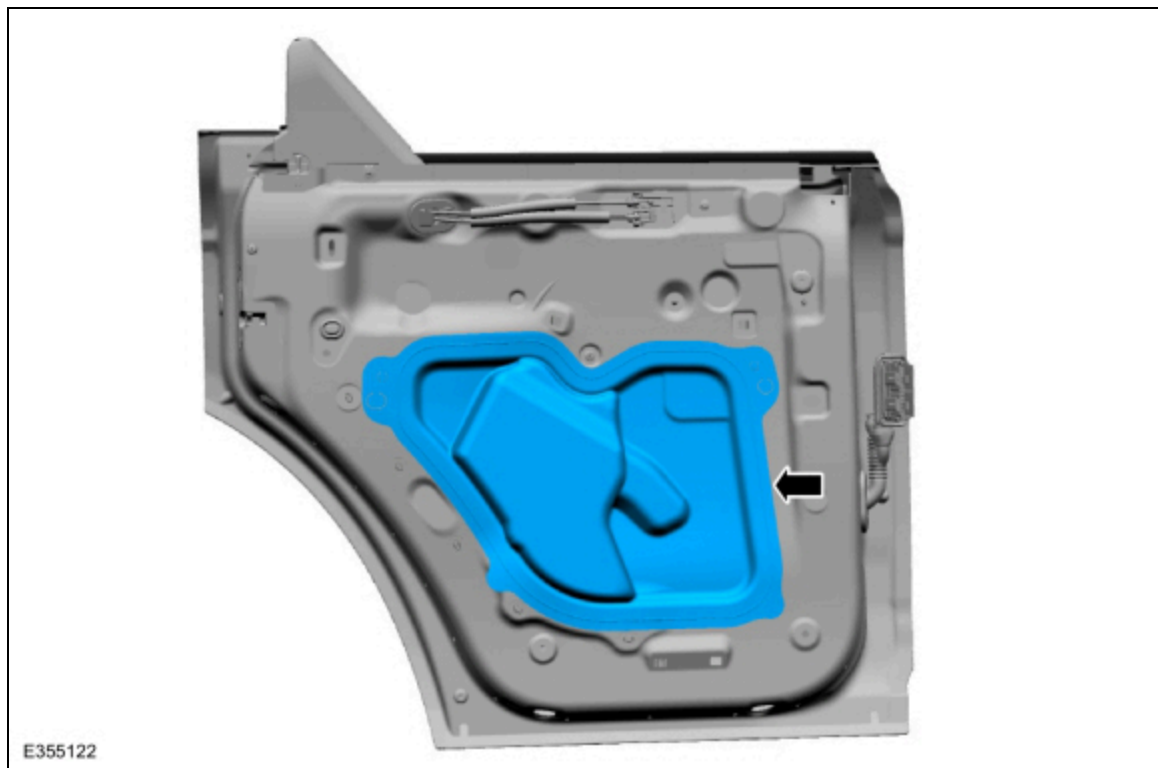
Rear Door Latch - 5-Door

Removal

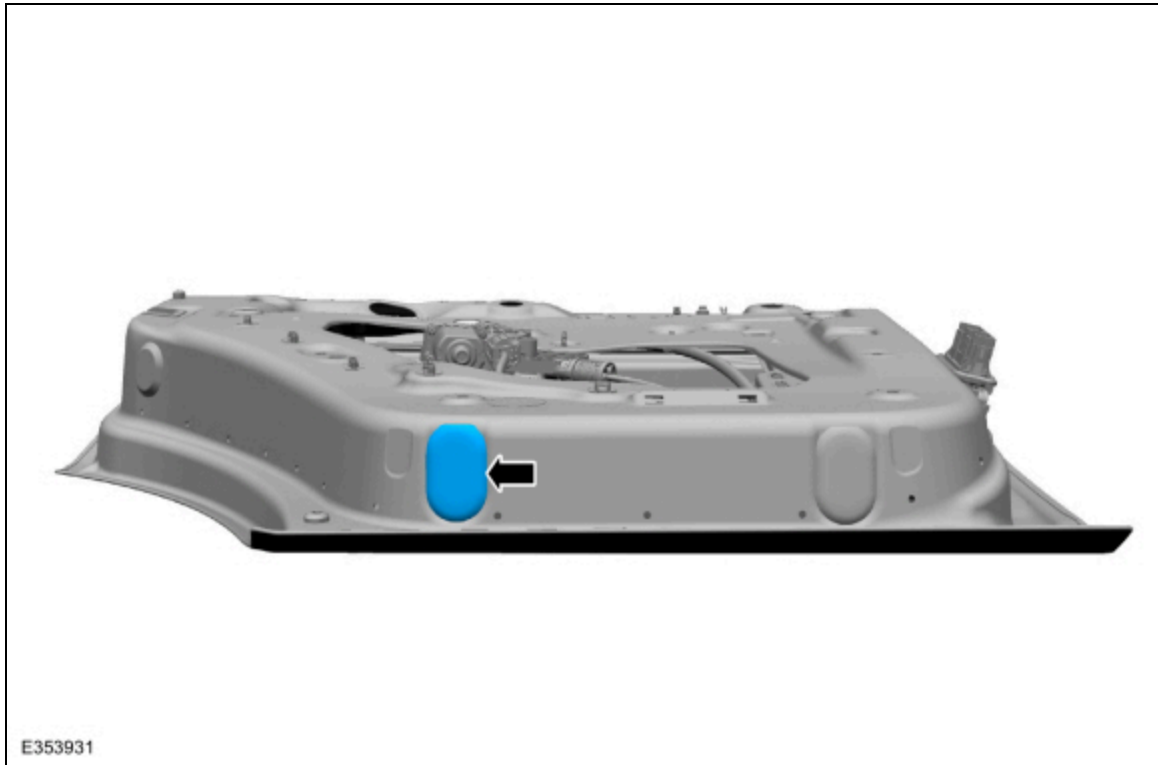
NOTE: Left hand (LH) shown, right hand (RH) similar.

NOTE: Removal steps in this procedure may contain installation details.

1. Remove the rear door window glass.
Refer to: [Rear Door Window Glass - 5-Door](#) (501-11 Glass, Frames and Mechanisms, Removal and Installation).
2. Remove the exterior rear door handle.
Refer to: [Exterior Rear Door Handle](#) (501-14 Handles, Locks, Latches and Entry Systems, Removal and Installation).
3. Remove the rear door watershield.



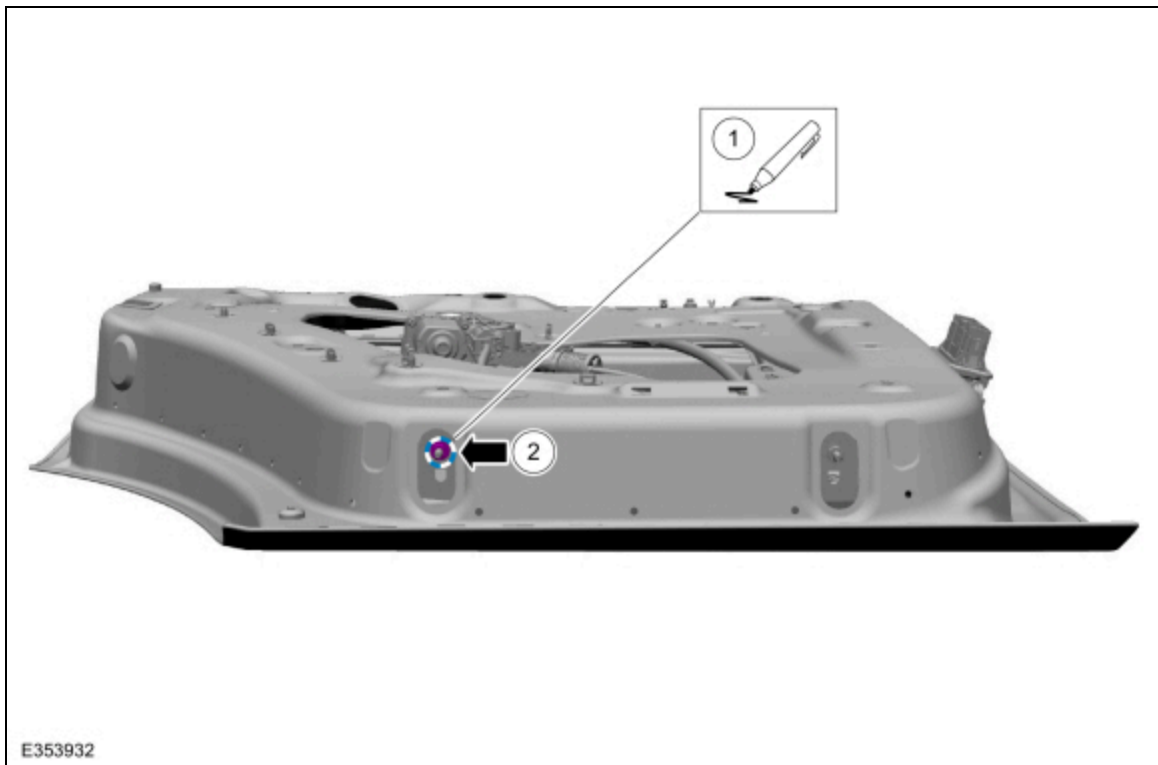
4. Remove the lower rear door window regulator access plug.



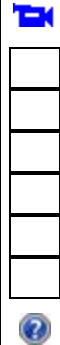
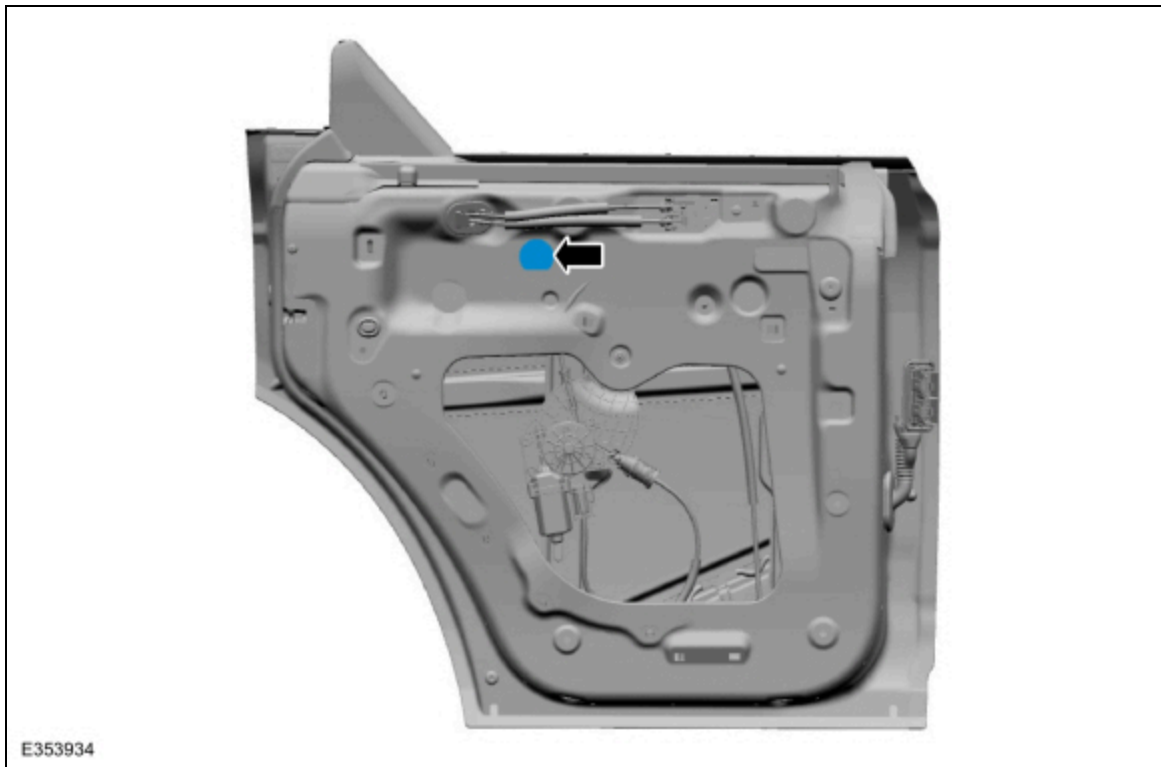
5. **NOTE:** Make sure to mark the location of the lower rear door window regulator nut position to aid in installation and alignment.

Remove the lower rear door window regulator nut.

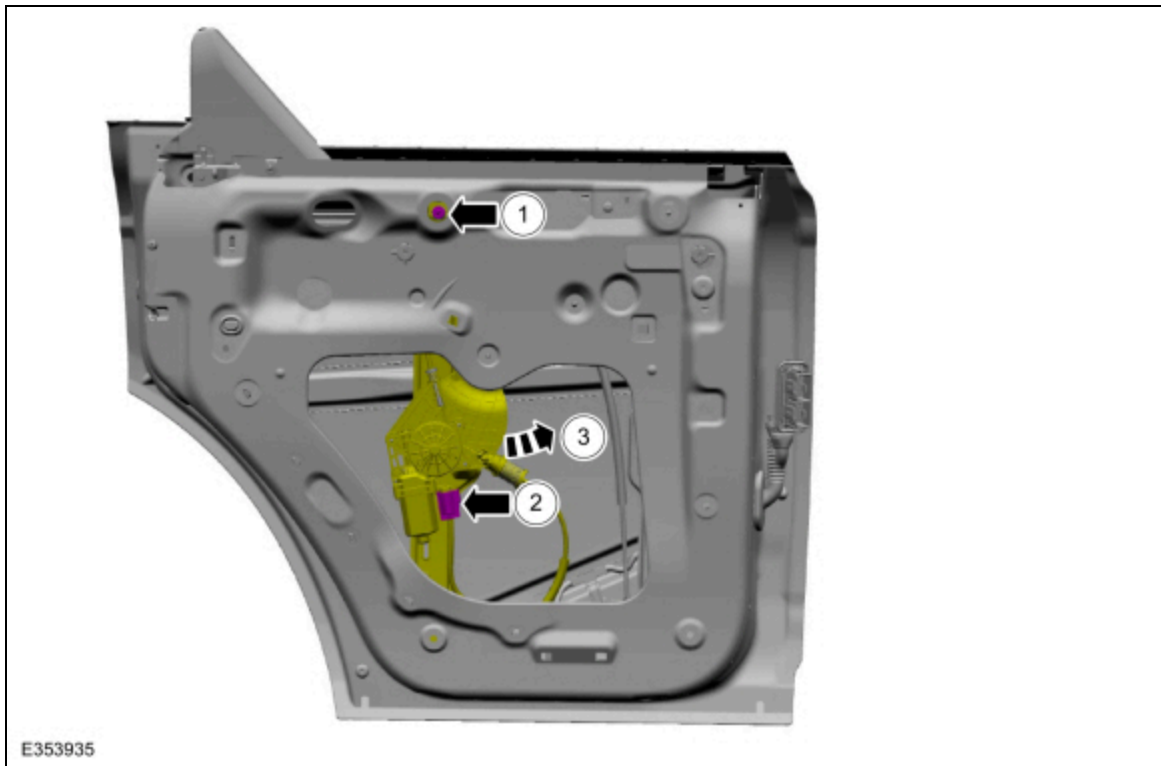
1. Mark around the lower rear door window regulator nut with a marker.
 2. Remove the lower rear door window regulator nut.
- Torque: 71 lb.in (8 Nm)



6. Remove the rear door window regulator adhesive cover.



7. Position the rear door window regulator aside.
1. Remove the rear door window regulator nut.
Torque: 71 lb.in (8 Nm)
 2. Disconnect the rear door window regulator motor electrical connector.
 3. Position the rear door window regulator aside.

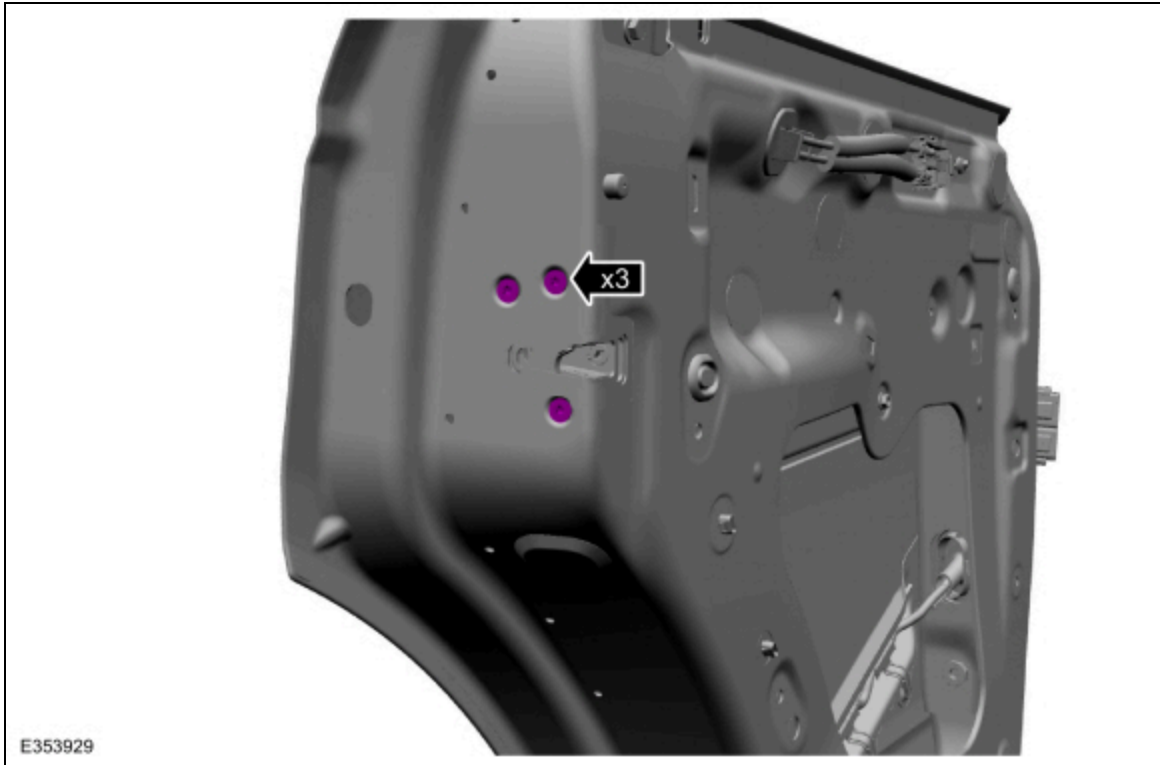


8. Remove the aft rear door glass run and bracket.
Refer to: [Rear Door Glass Run and Bracket - 5-Door](#) (501-11 Glass, Frames and Mechanisms, Removal and Installation).

- 9. Remove the screw from the exterior rear door handle reinforcement.
Torque: 62 lb.in (7 Nm)



- 10. Remove the rear door latch bolts.
Torque: 71 lb.in (8 Nm)

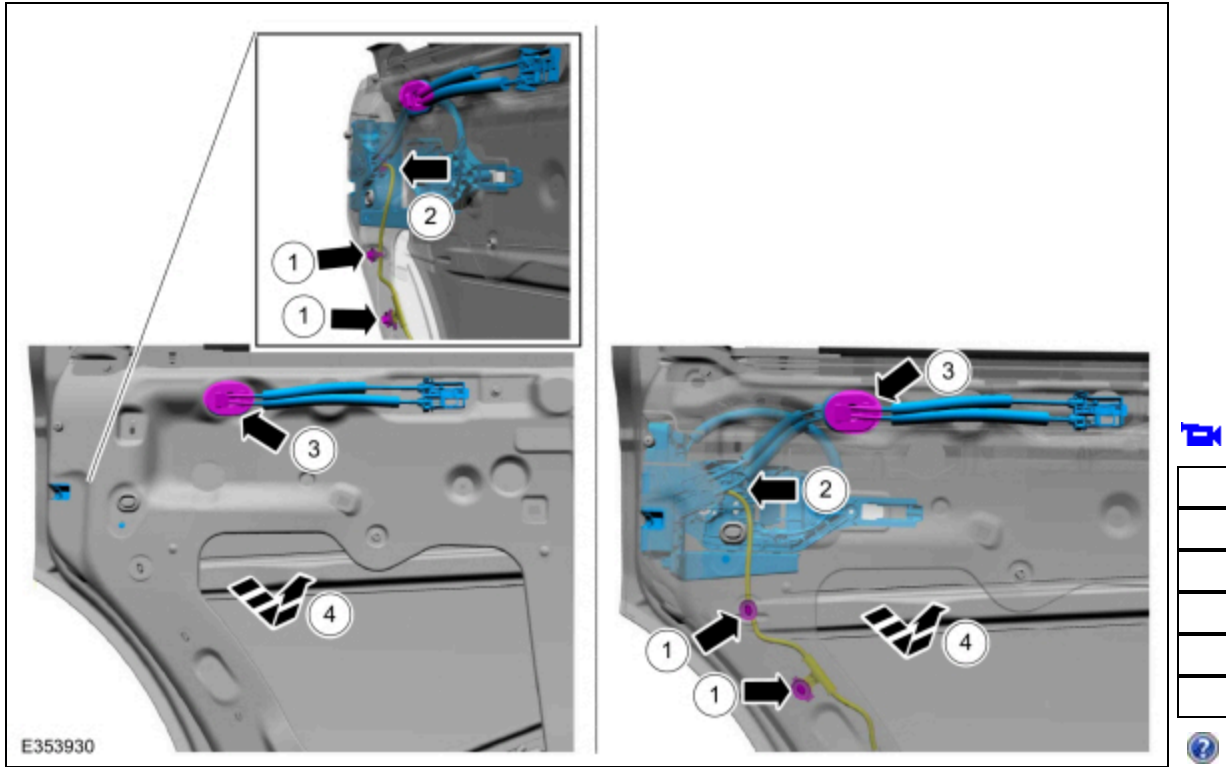


- 11. **NOTE:** *The rear door is shown transparent for clarity.*

Remove the rear door latch.

- 1. Disconnect the wiring harness routing clips.

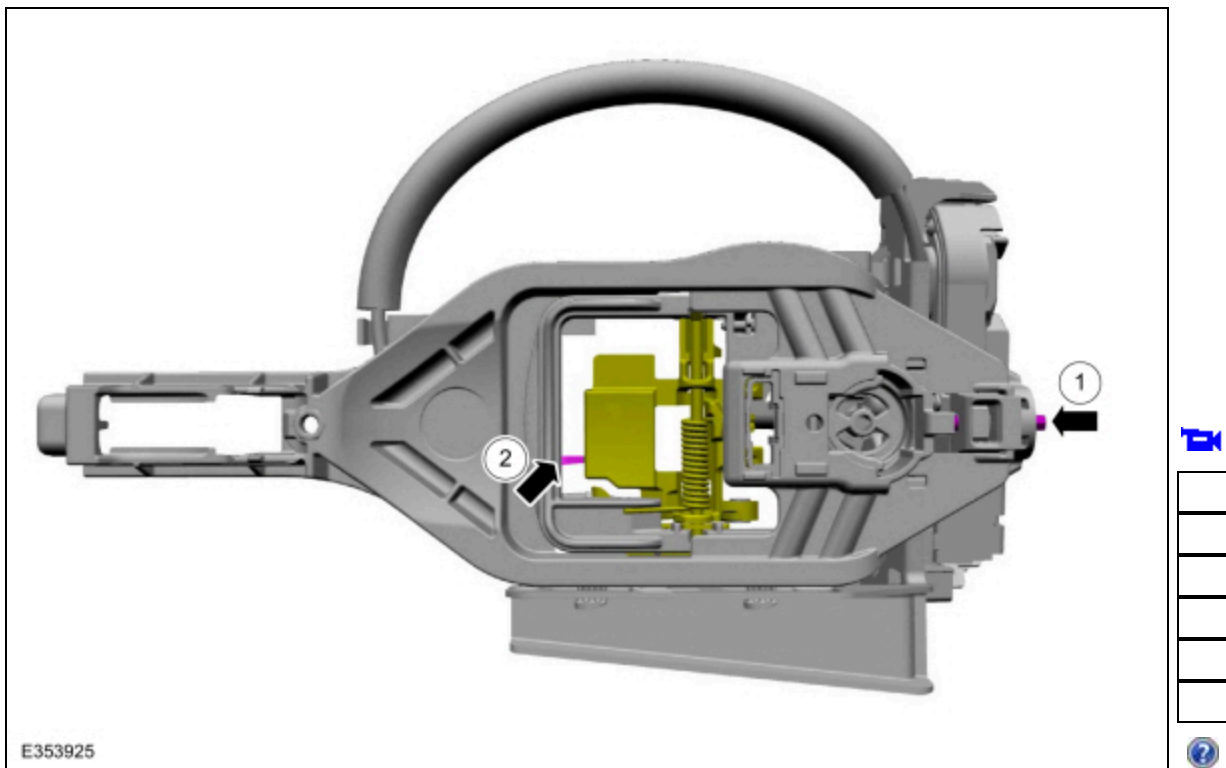
2. Disconnect the rear door latch electrical connector.
3. Route the interior rear door handle cable through the inner door.
4. Remove the rear door latch.



12. **NOTE:** This step is only necessary when installing a new component.

Release the cable tension by turning the release screw until the handle lever releases from the stop.

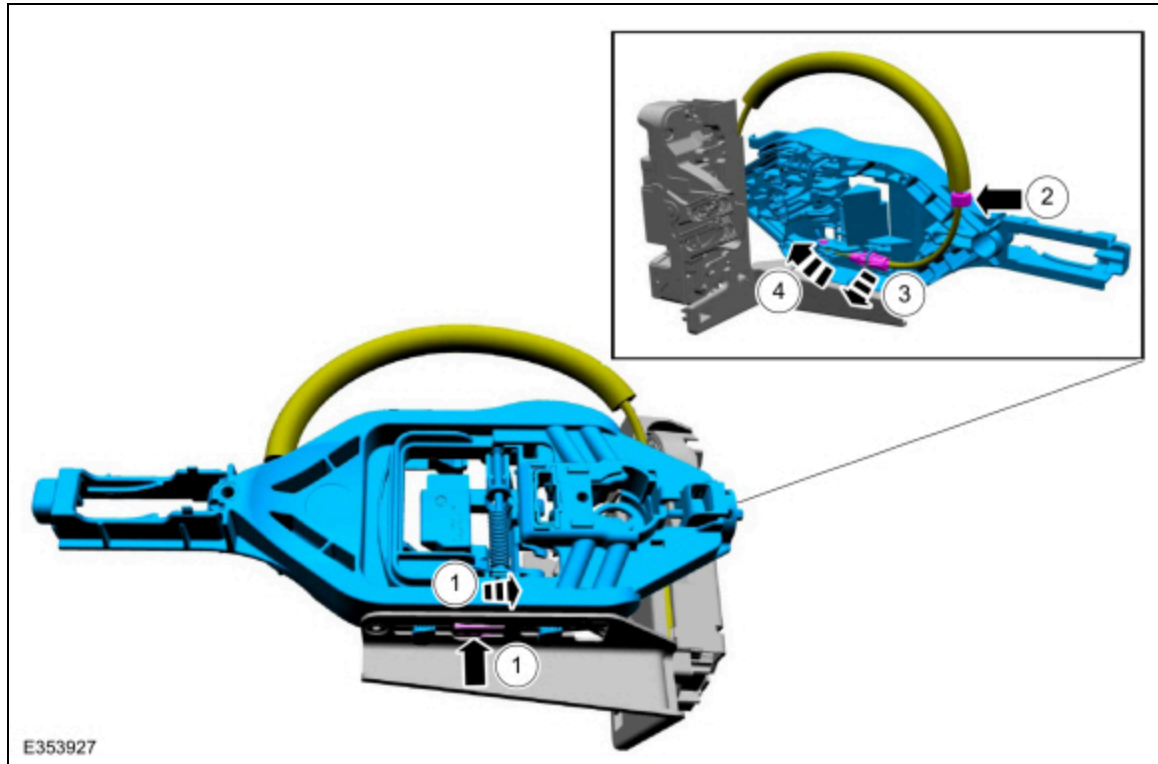
1. Turn the release screw until the handle lever releases from the stop.
2. Release the handle lever from the stop.



13. **NOTE:** *This step is only necessary when installing a new component.*

Remove the exterior rear door handle reinforcement.

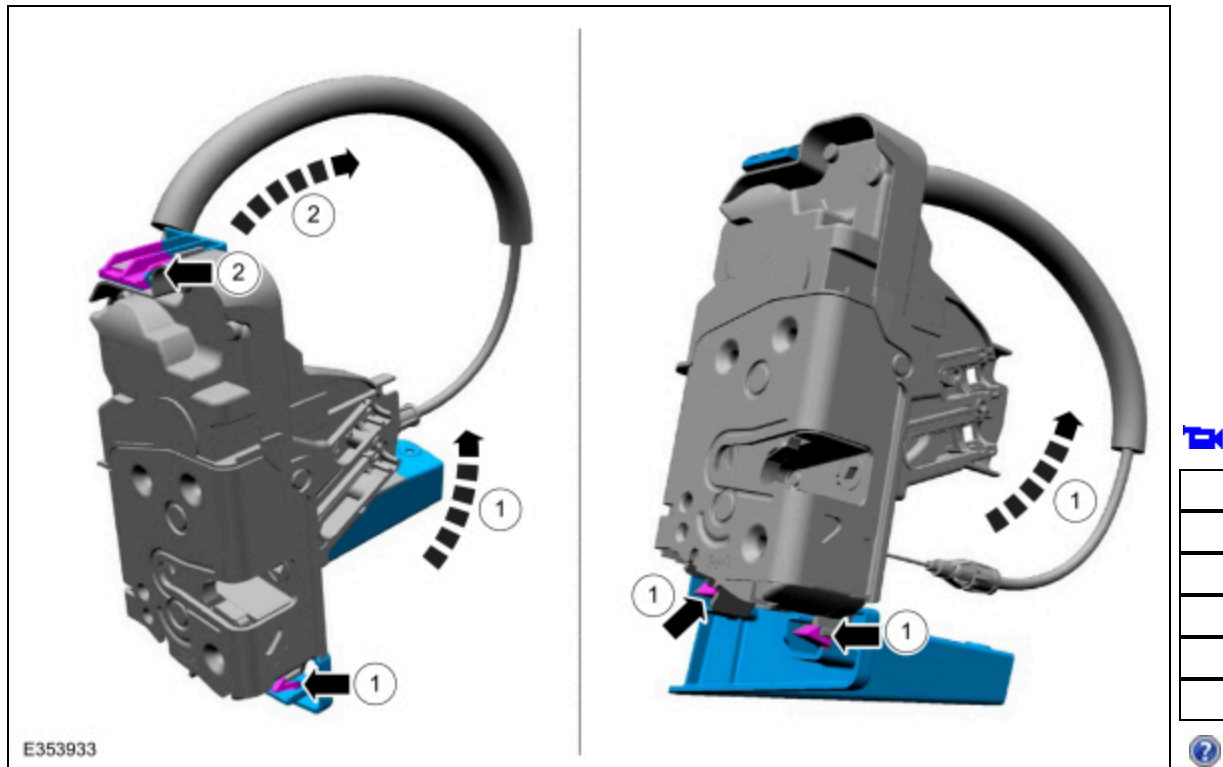
1. Press the locking tab down and detach the exterior rear door handle reinforcement.
2. Remove the cable from the routing clip.
3. Detach the cable from the exterior front door handle reinforcement.
4. Remove the cable eyelet from the lever.



14. **NOTE:** *This step is only necessary when installing a new component.*

Remove the rear door latch bracket.

1. Release the retaining tabs on the rear door latch bracket.
2. Release the retaining tab and remove the aft rear door latch bracket.



Installation

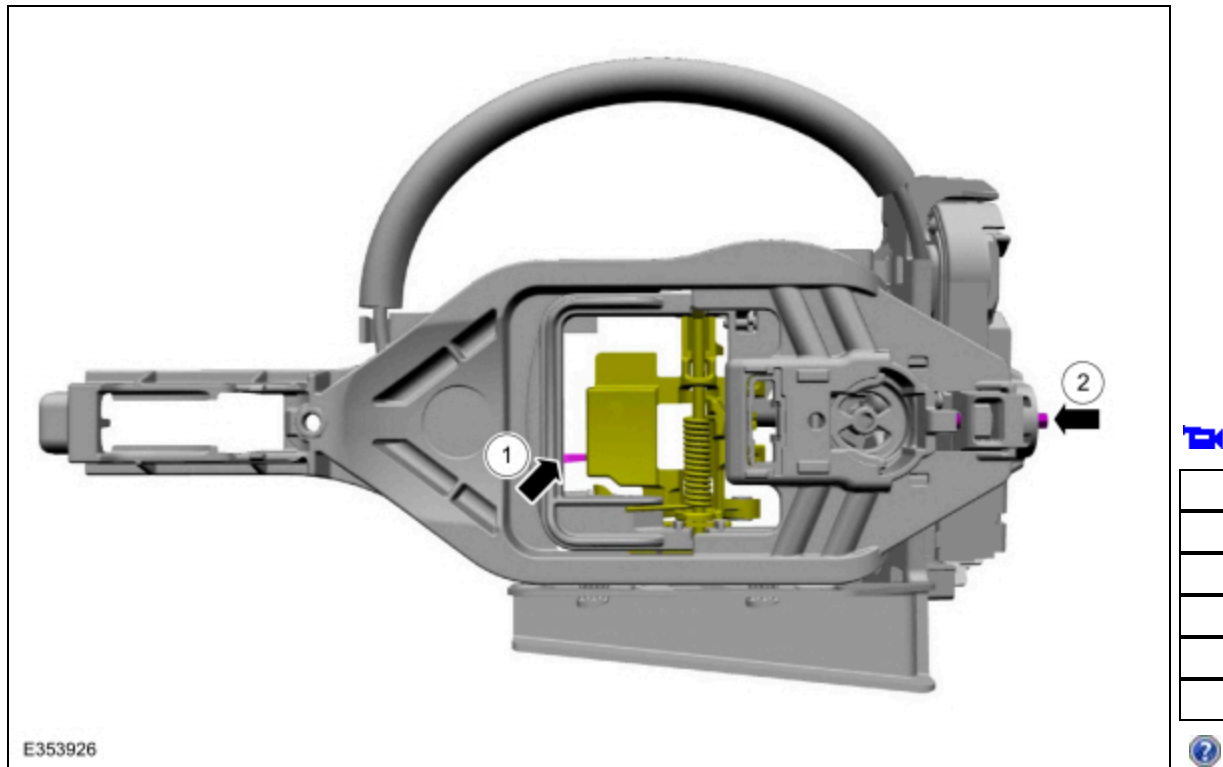
1. To install, reverse the removal procedure.

2. **NOTE:** *This step is only necessary when installing a new component.*

NOTE: *This step must be done correctly or the exterior door handle will not engage the lever on installation.*

Position the exterior rear door handle reinforcement in the service position.

1. Hold pressure on the handle lever.
2. Turn the release screw until the handle lever is positioned against the stop.



3. Check the rear door window glass alignment.
Refer to: [Rear Door Window Glass Adjustment](#) (501-11 Glass, Frames and Mechanisms, General Procedures).
4. Carry out the power door window initialization.
Refer to: [Power Door Window Initialization](#) (501-11 Glass, Frames and Mechanisms, General Procedures).

© Copyright 2024, Ford Motor Company.