

## Rear Door Alignment

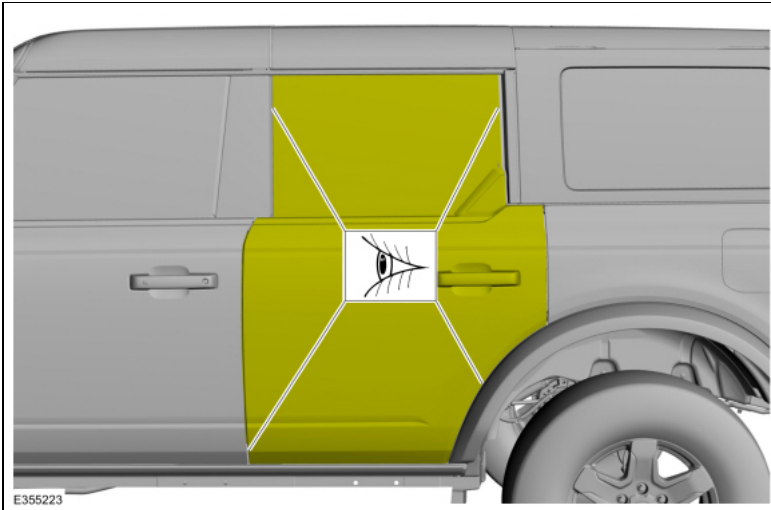


### Inspection

**NOTE:** Removal steps in this procedure may contain installation details.

**NOTE:** LH side shown, RH side similar.

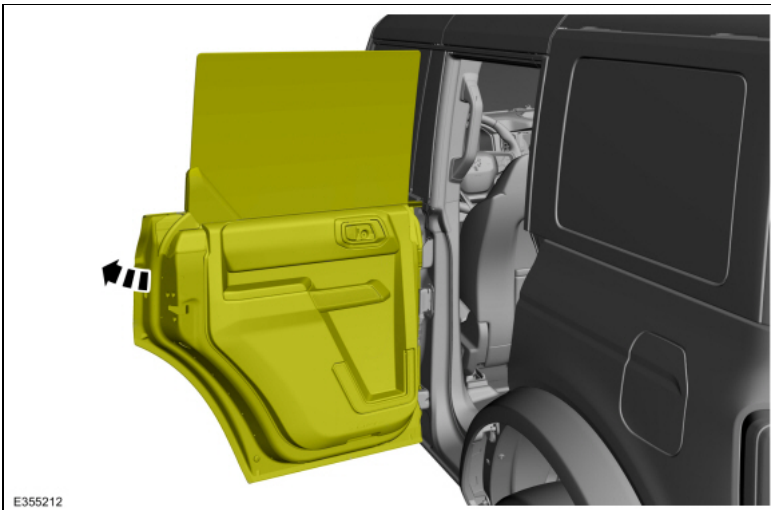
1. Inspect the rear door-to-body dimensions.



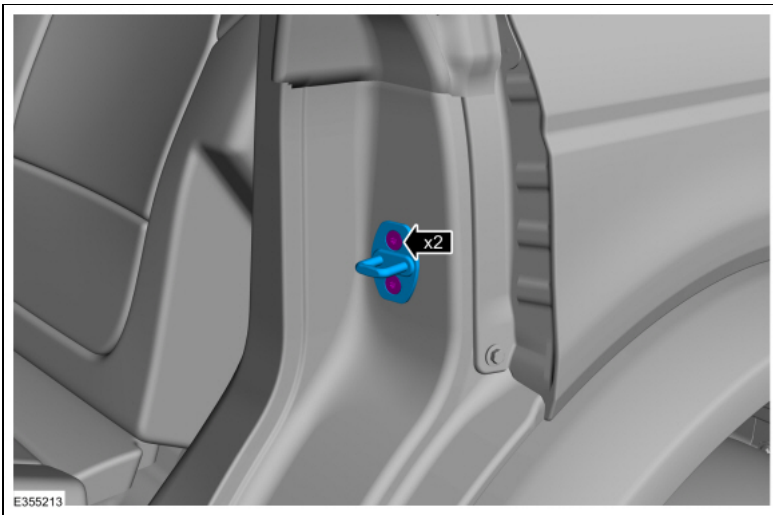
### Adjustment

#### All alignments

1. Open the rear door.

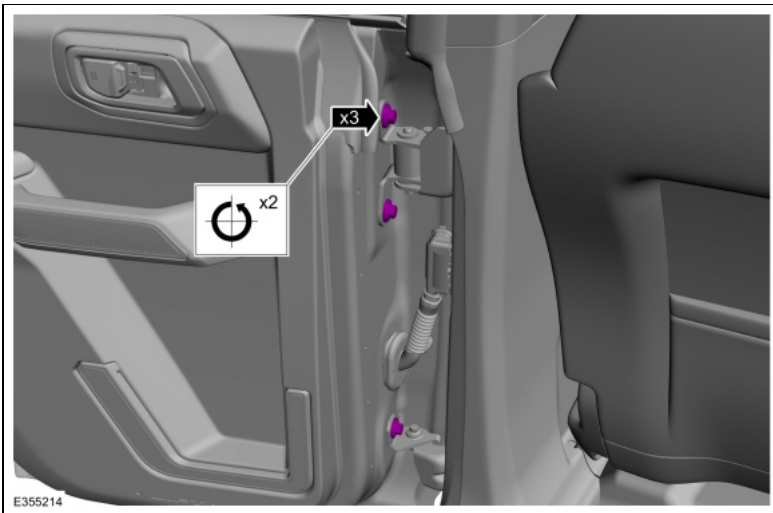


2. Remove the bolts and the striker assembly.

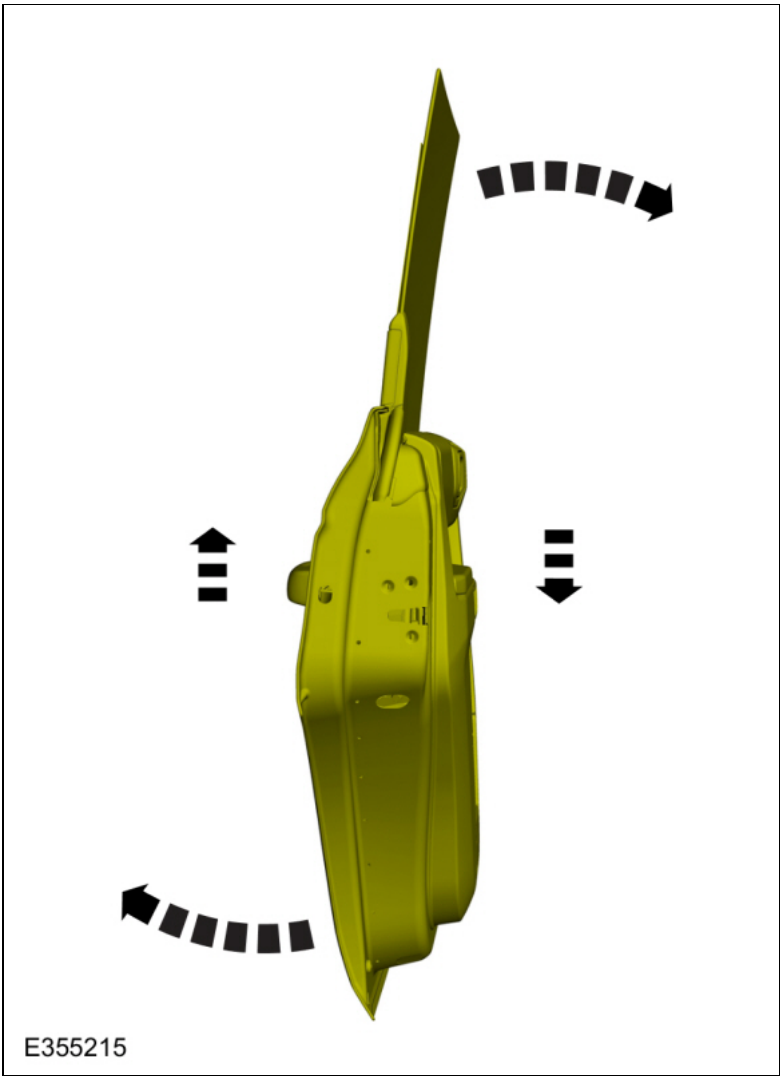


**Rear door in and out, up and down alignment**

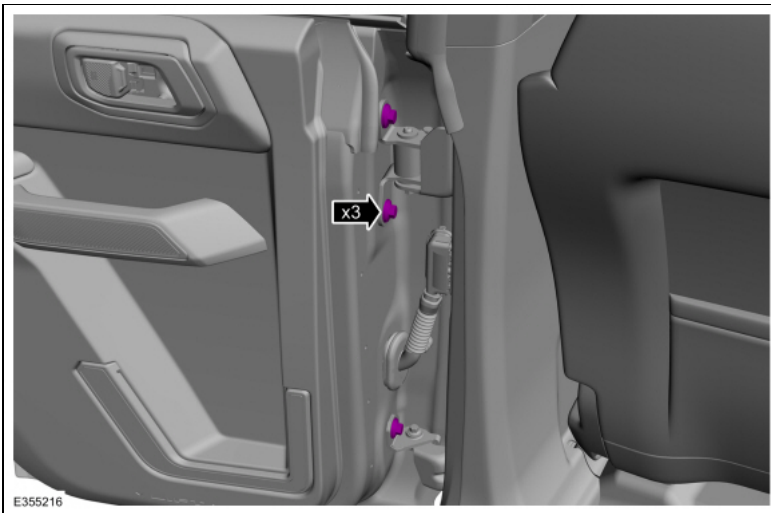
- Loosen the bolts to permit movement of the door.  
Loosen:  
⌚ : ⌚ 2 turn(s)



- Adjust the door as required.



5. Tighten the bolts.  
*Torque: 41 lb.ft (55 Nm)*



E355216

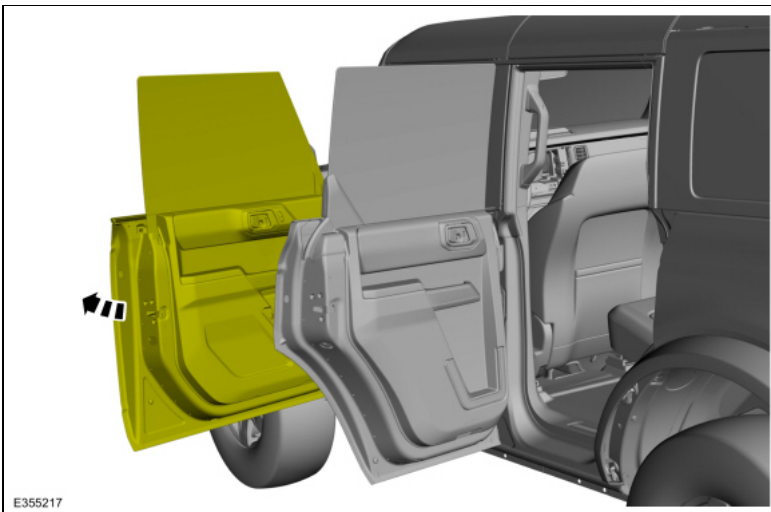
[Empty box]

⌘
⌘
⌘
⌘
⌘
⌘

[Empty box]

**Rear door fore, aft and tilt alignment**

- Open the front door.



E355217

[Empty box]

⌘
⌘
⌘
⌘
⌘
⌘

[Empty box]

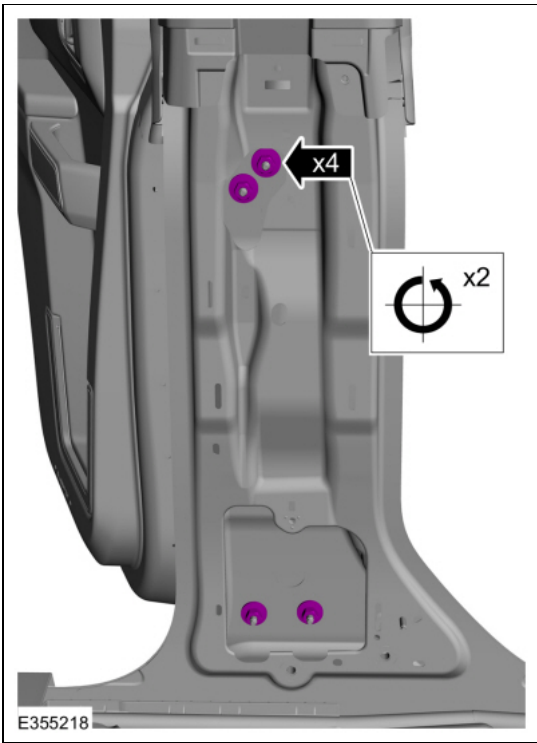
- Remove the lower B-pillar trim panel.

Refer to: B-Pillar Trim Panel - 5-Door (501-05 Interior Trim and Ornamentation, Removal and Installation).

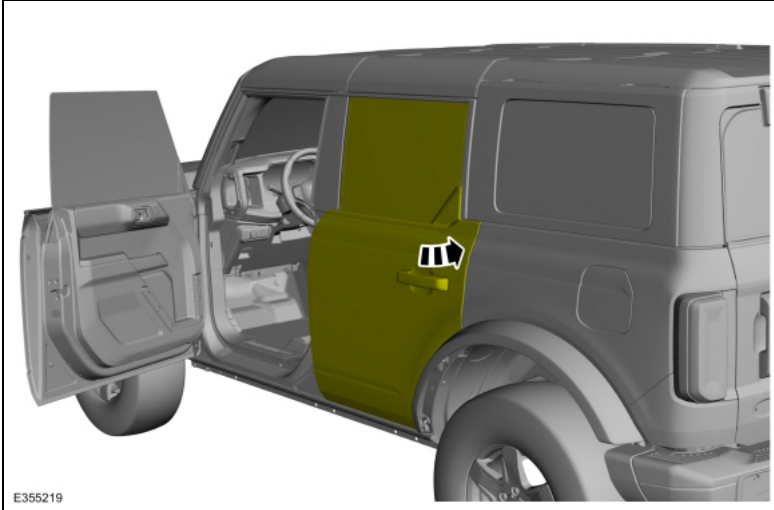
- Loosen the fasteners to permit movement of the door.

Loosen:

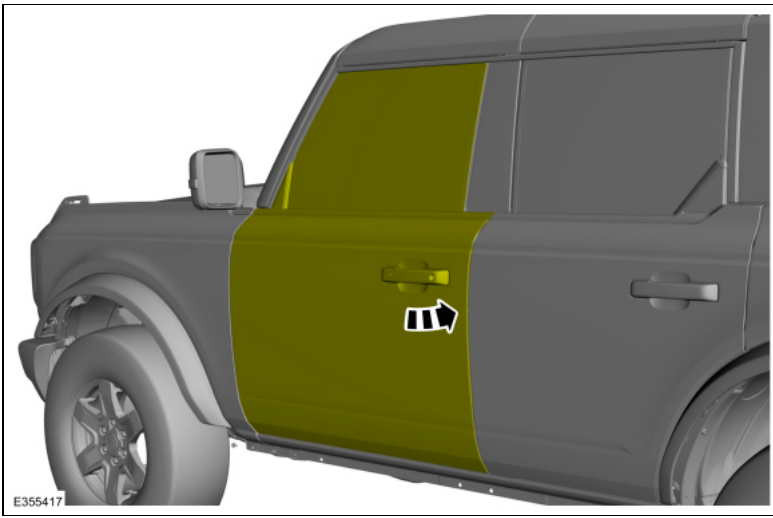
⌘ : ⌘ 2 turn(s)



9. Carefully close the rear door.



10. Carefully close the front door.

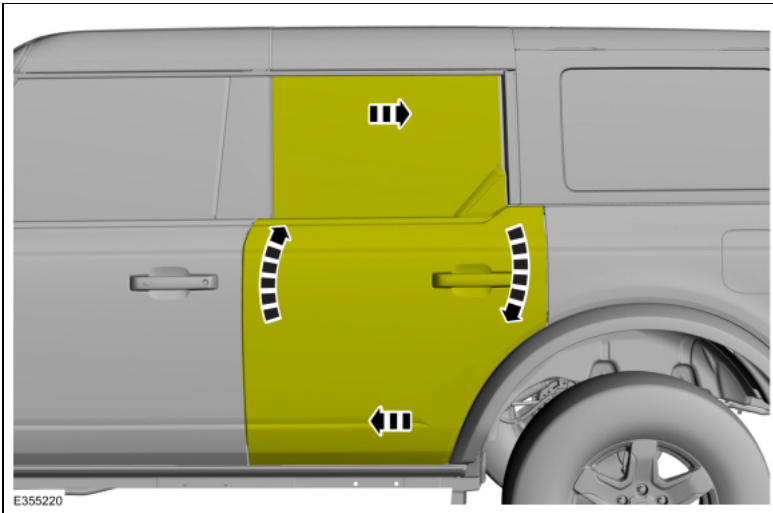


\_\_\_\_\_

À	Blue
À	Green
À	Brown
À	Yellow
À	Purple
À	Light Blue

\_\_\_\_\_

11. Adjust the door as required.

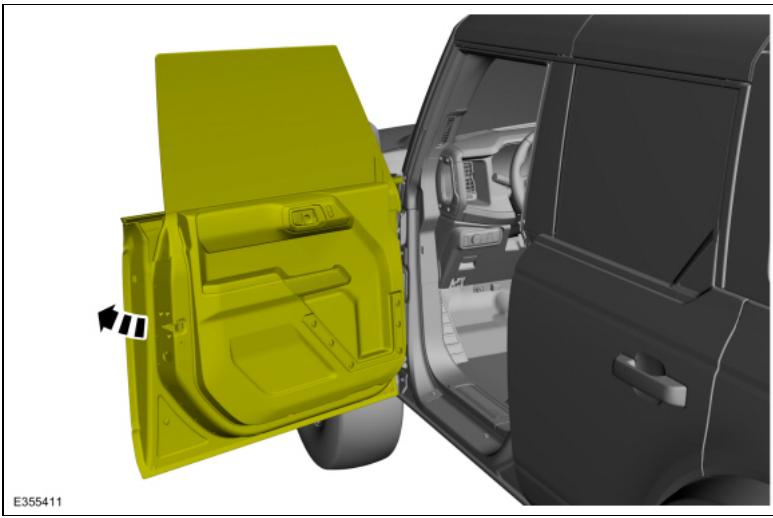


\_\_\_\_\_

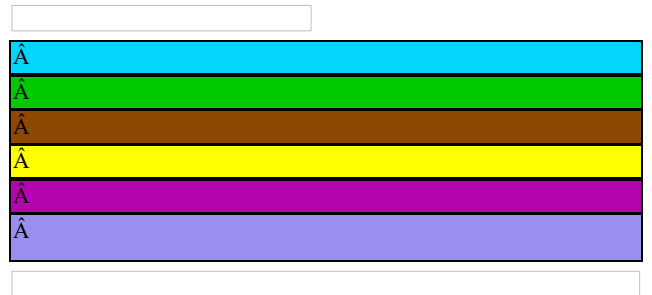
À	Blue
À	Green
À	Brown
À	Yellow
À	Purple
À	Light Blue

\_\_\_\_\_

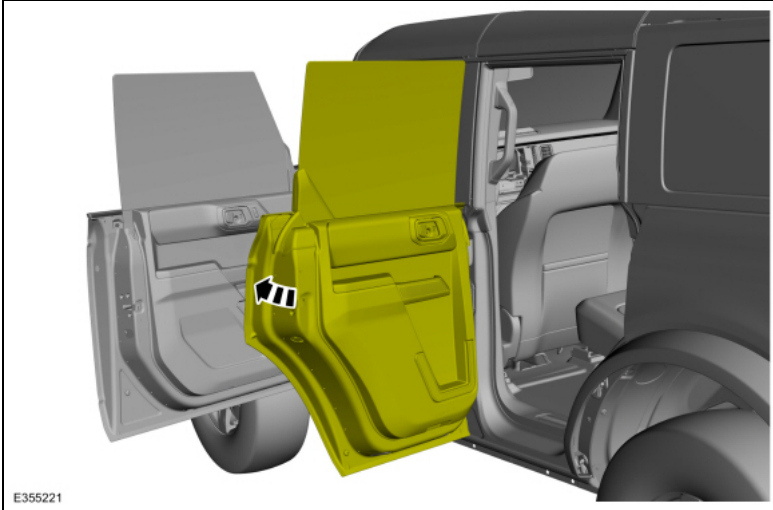
12. Carefully open the front door.



E355411



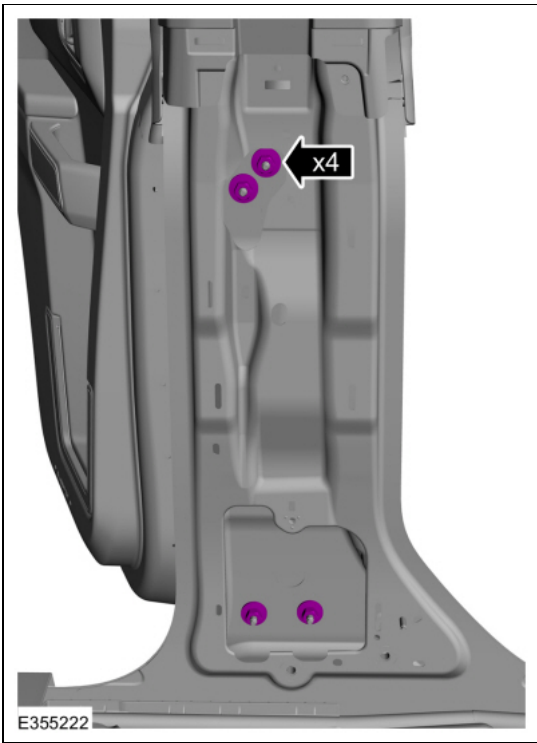
13. Carefully open the rear door.



E355221

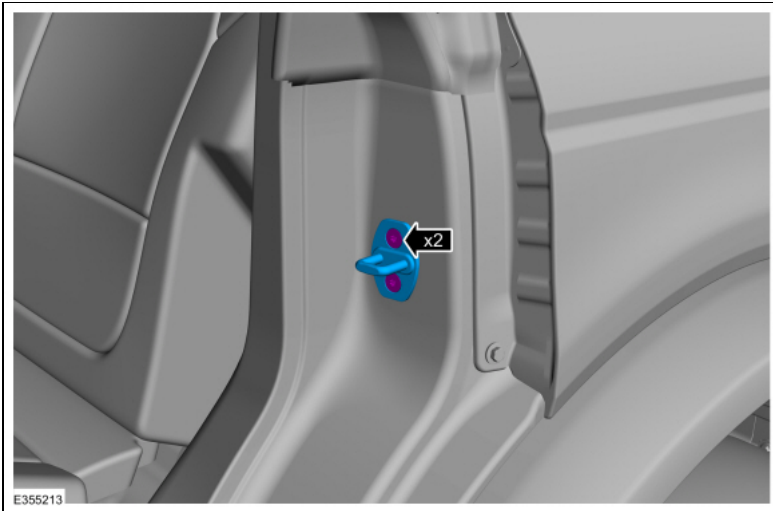


14. Tighten the nuts and the bolt.  
*Torque: 24 lb.ft (32 Nm)*

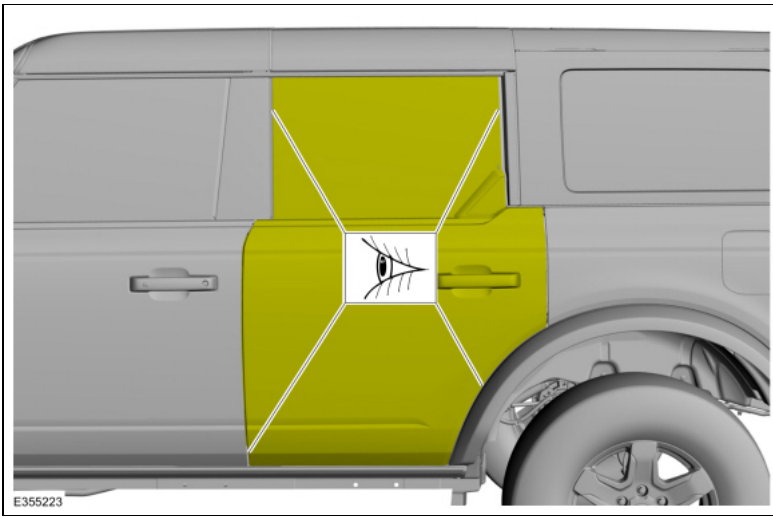


**All alignments**

15. Install the striker assembly.  
*Torque: 18 lb.ft (25 Nm)*



16. Inspect the body-to-rear door dimensions.



- À
- À
- À
- À
- À
- À

17. Install the removed components.