

A-Pillar Speaker**Special Tool(s) / General Equipment**

Interior Trim Remover

Removal

NOTE: Removal steps in this procedure may contain installation details.

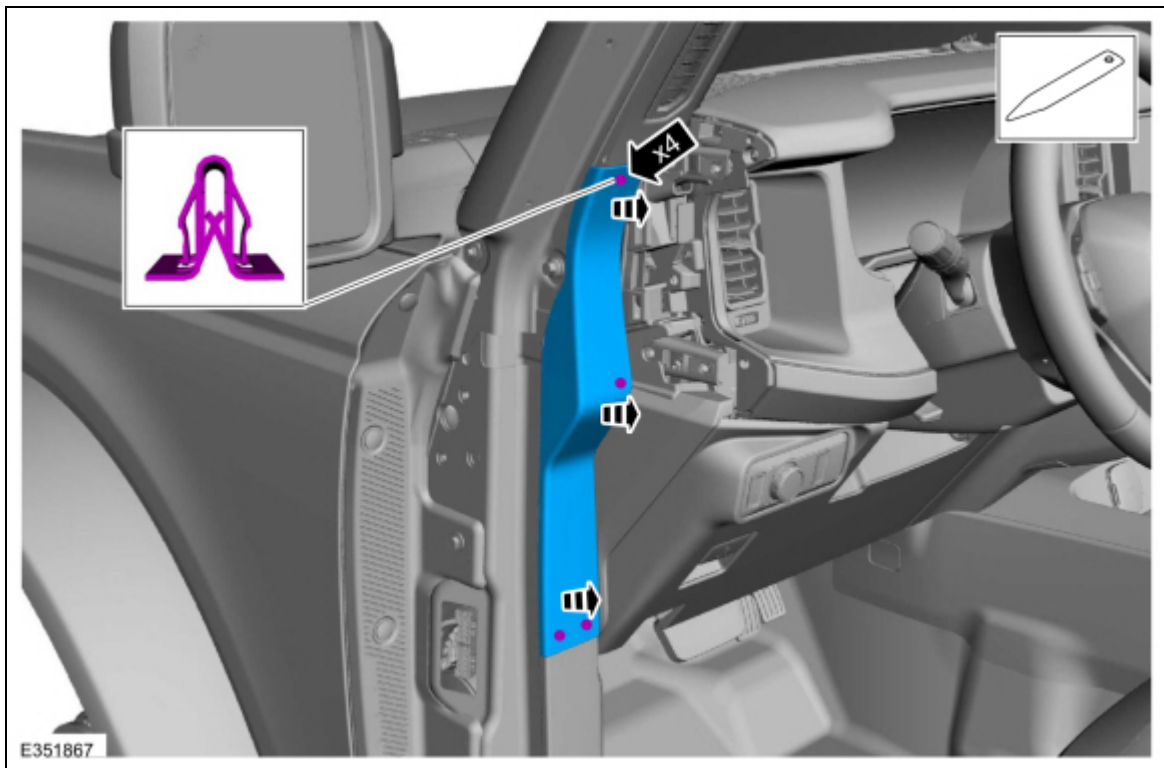
All vehicles

NOTE: Left hand (LH) shown, right hand (RH) similar.

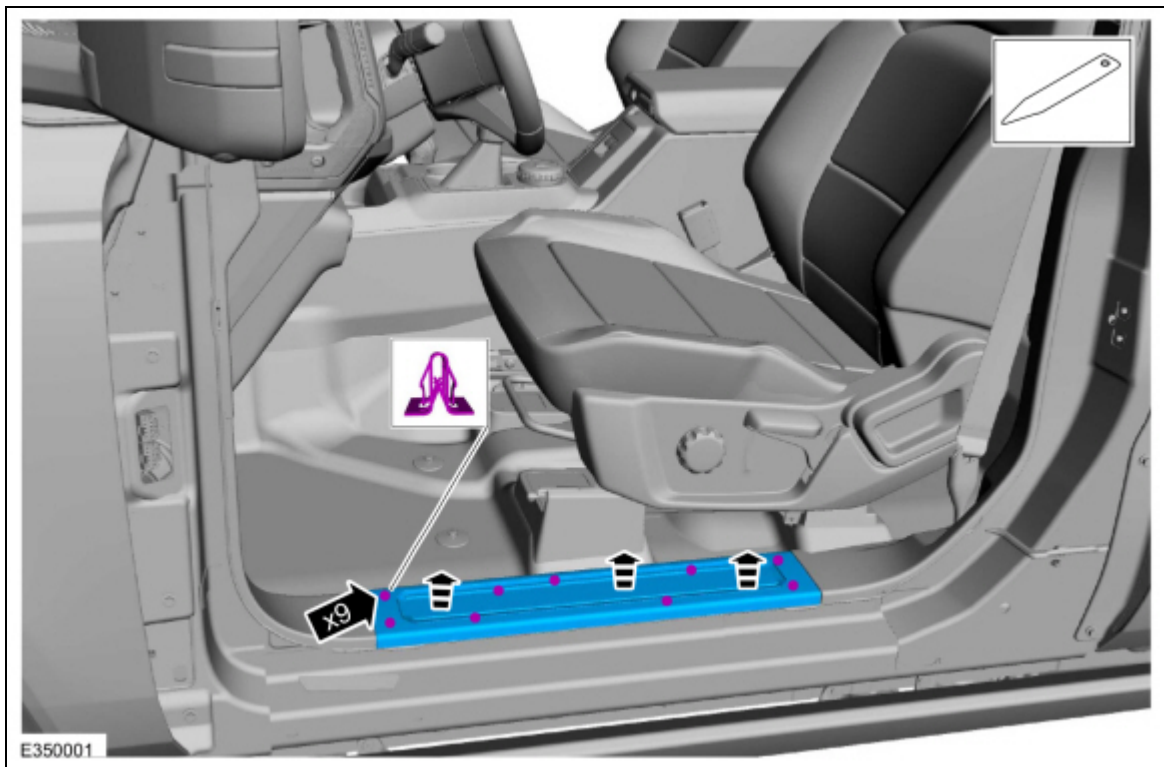
1. Remove the screws and the instrument panel grab handle.
Torque: 80 lb.in (9 Nm)



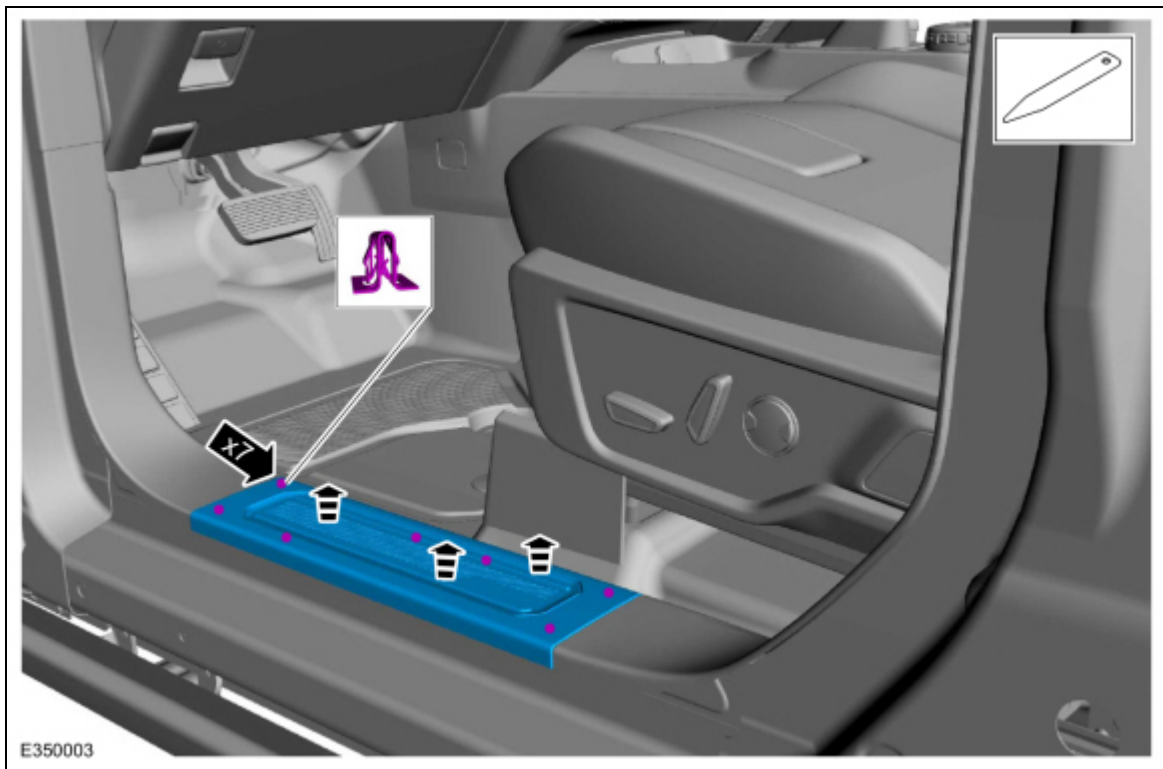
2. Release the clips and remove the cowl side trim panel.
Use the General Equipment: Interior Trim Remover



3. On 3-door vehicles.
Release the clips and remove the front scuff plate trim panel.
Use the General Equipment: Interior Trim Remover

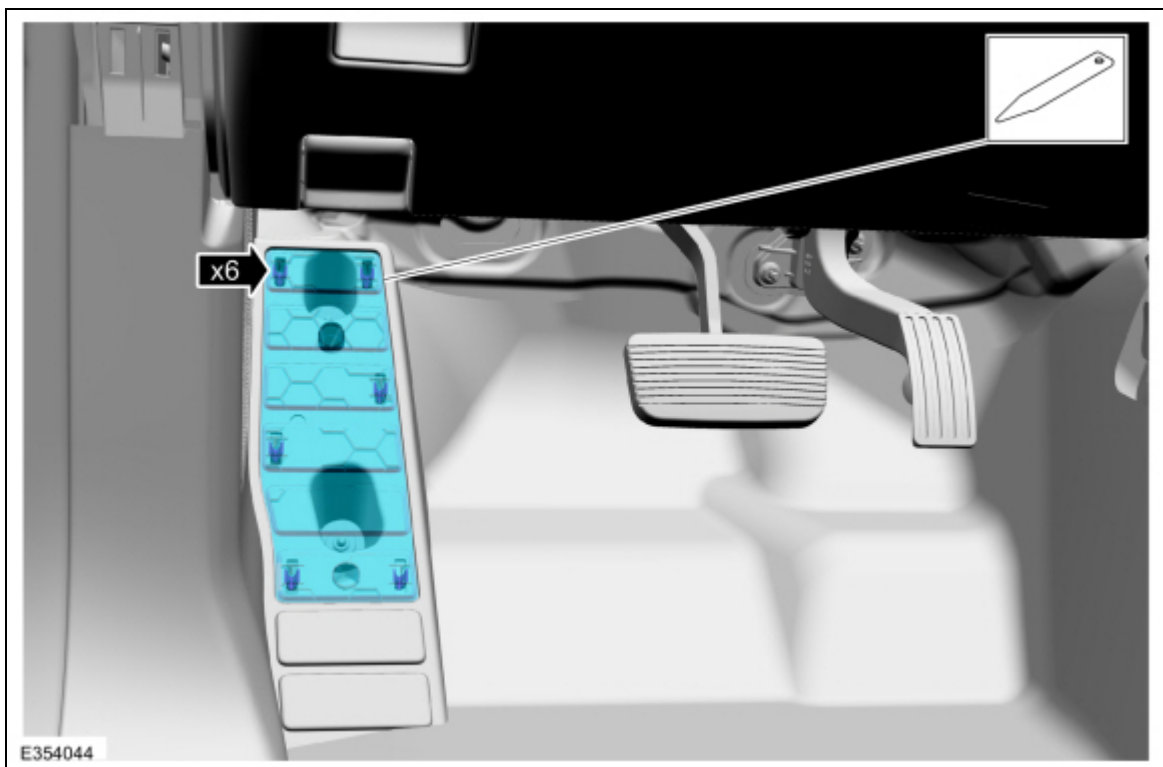


4. On 5-door vehicles.
Release the clips and remove the front scuff plate trim panel.
Use the General Equipment: Interior Trim Remover

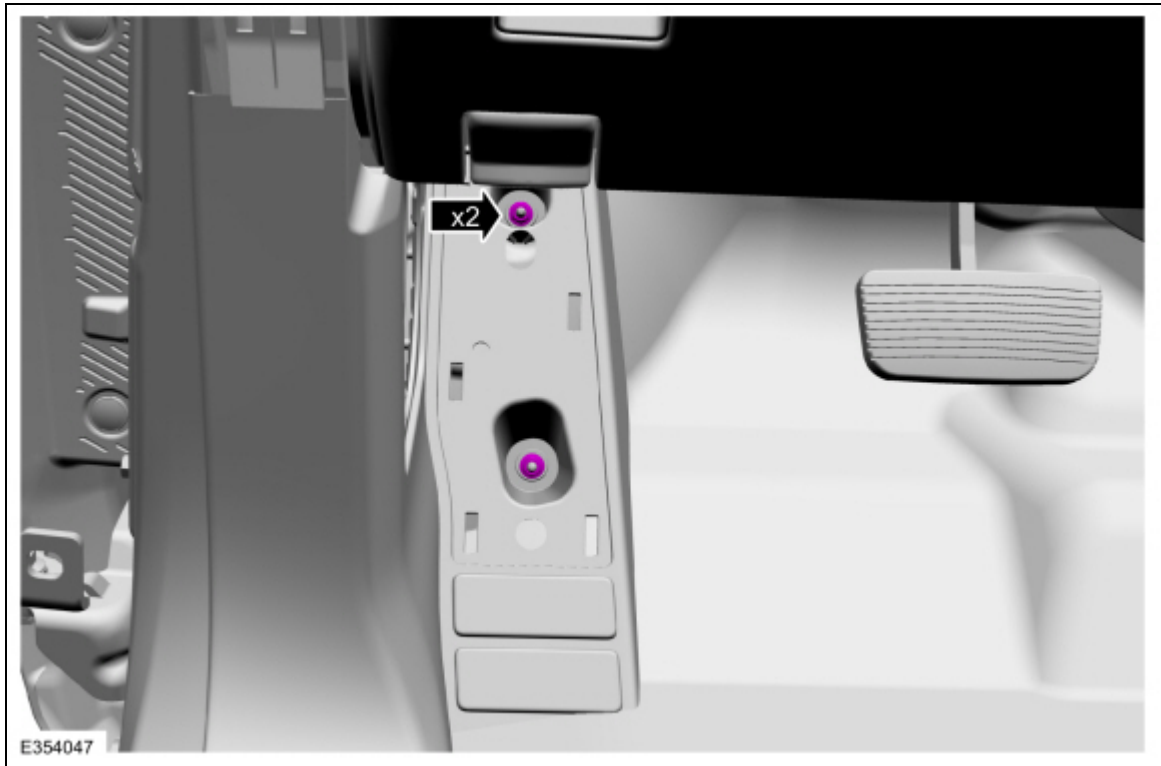


Left hand lower cowl side panel panel

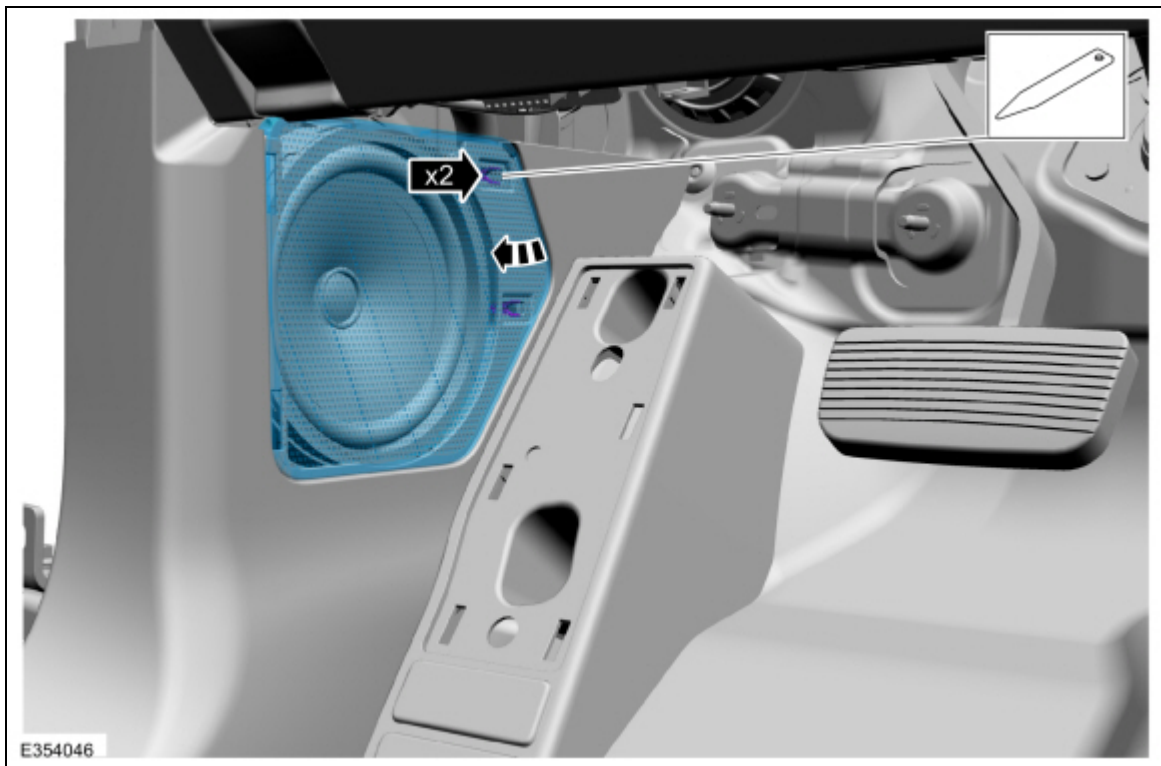
5. Release the clips and remove the driver foot rest trim panel.
Use the General Equipment: Interior Trim Remover



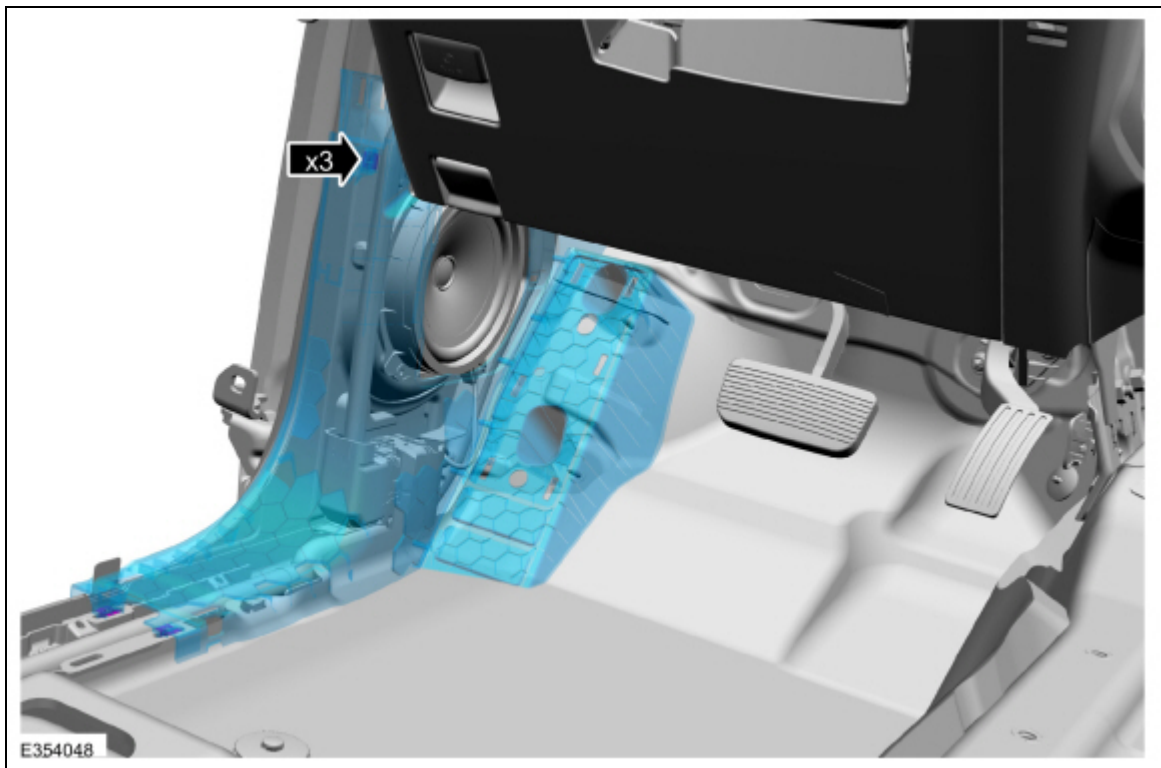
6. Remove the driver foot rest nuts.
Torque: 28 lb.in (3.2 Nm)



7. Release the clips and remove the LH A-pillar speaker grille.
Use the General Equipment: Interior Trim Remover

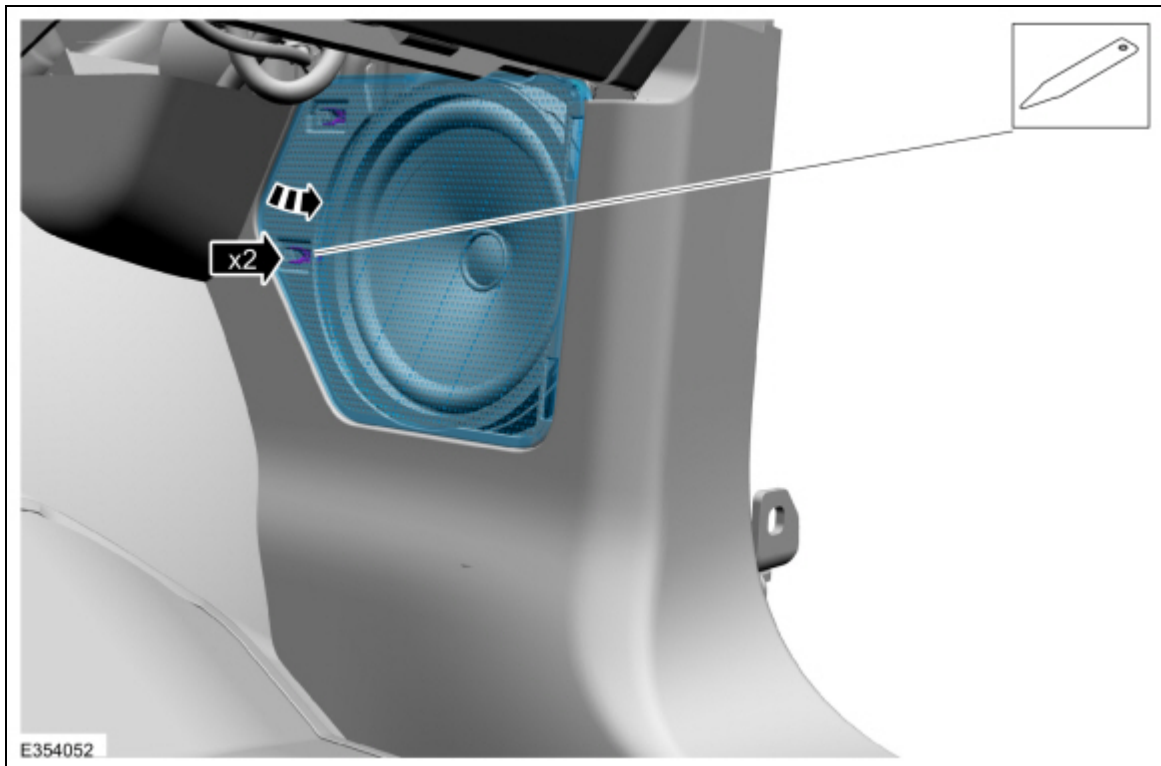


8. Release the clips and remove the LH lower cowl side panel panel.

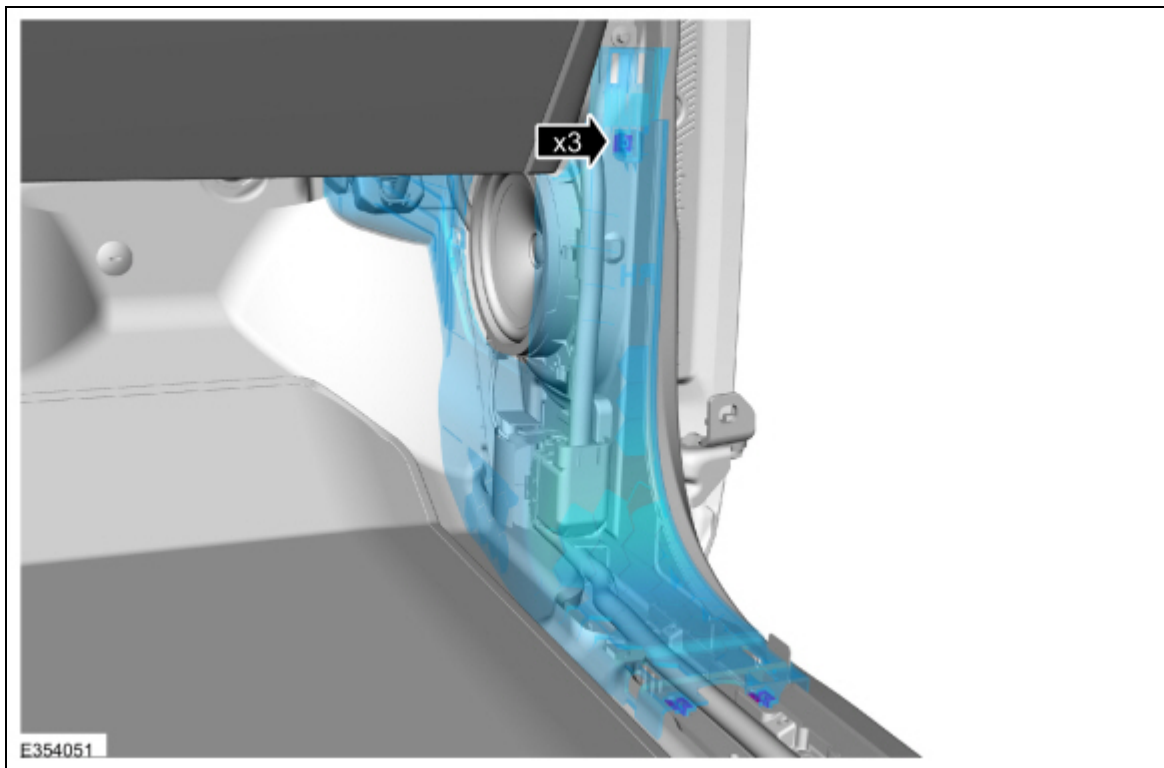


Right hand lower cowl side panel panel

9. Release the clips and remove the RH A-pillar speaker grille.
Use the General Equipment: Interior Trim Remover



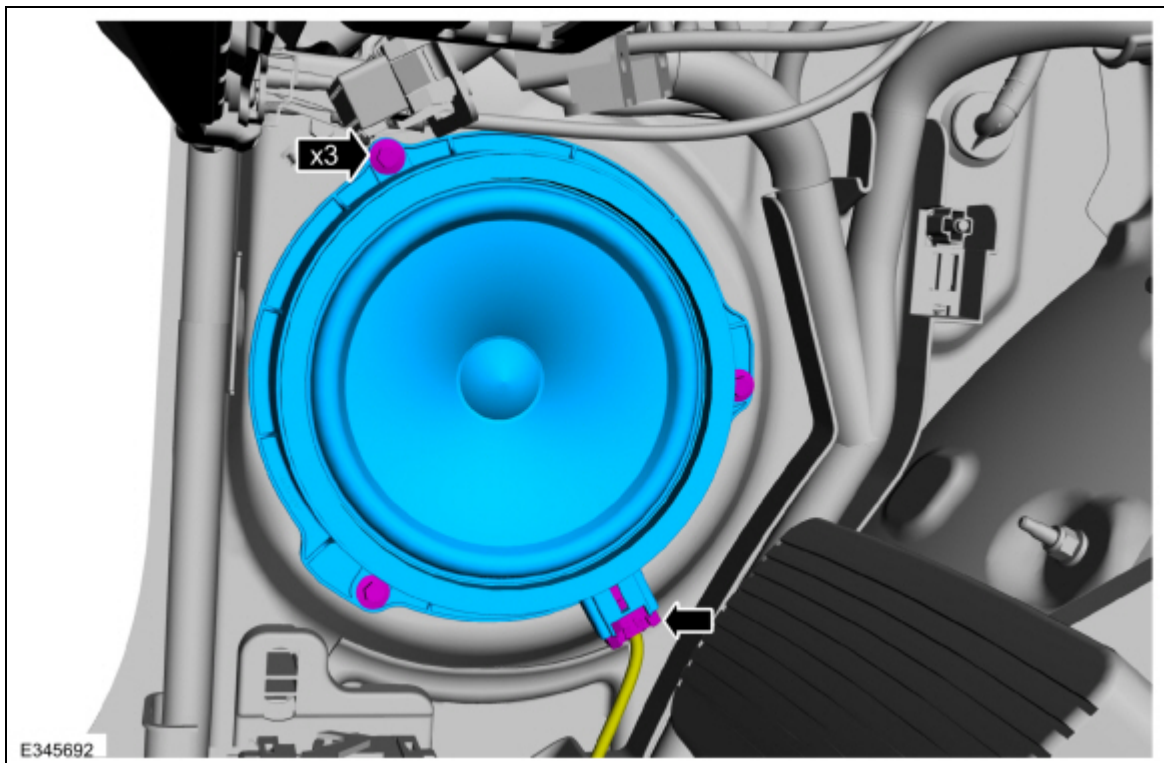
10. Release the clips and remove the RH lower cowl side panel panel.



All vehicles

NOTE: *Left hand speaker is shown, right hand speaker is similar.*

11. Disconnect the electrical connector, remove the screws and the A-pillar speaker.
Torque: 19 lb.in (2.2 Nm)



Installation

1. To install, reverse the removal procedure.

© Copyright 2021, Ford Motor Company.
