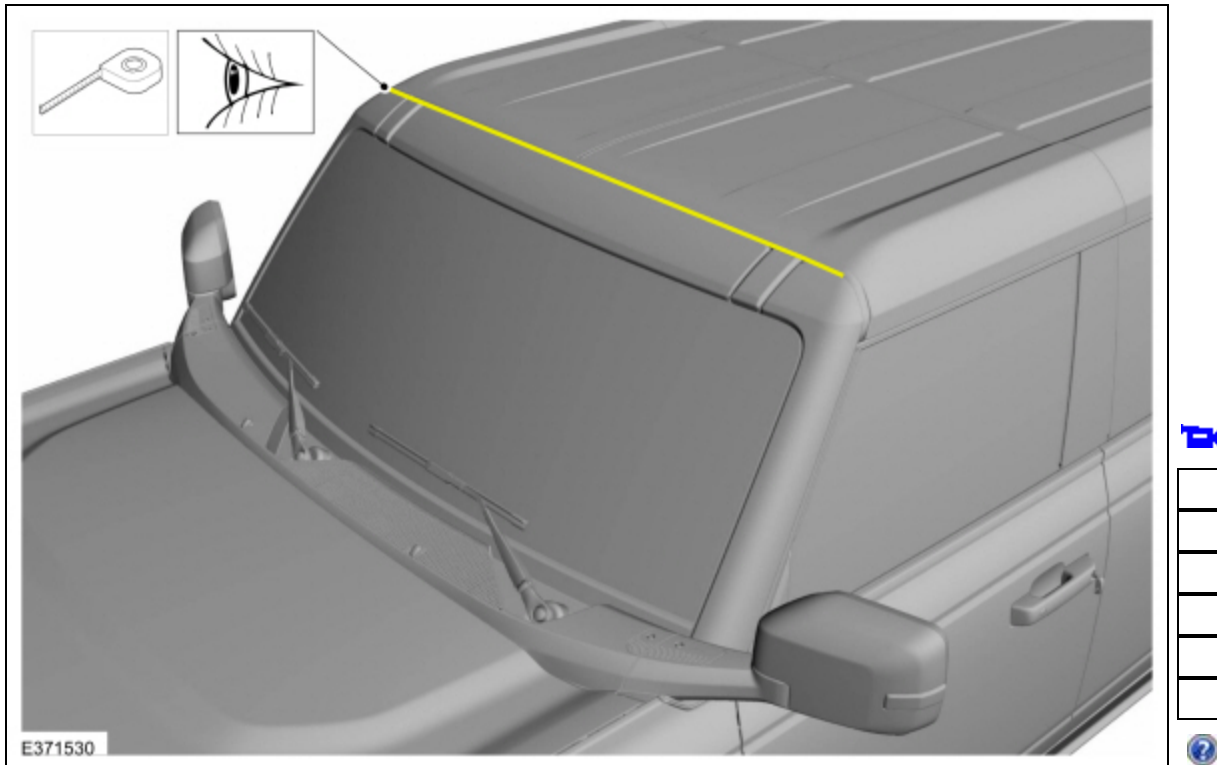


Hard Top Alignment - 5-Door

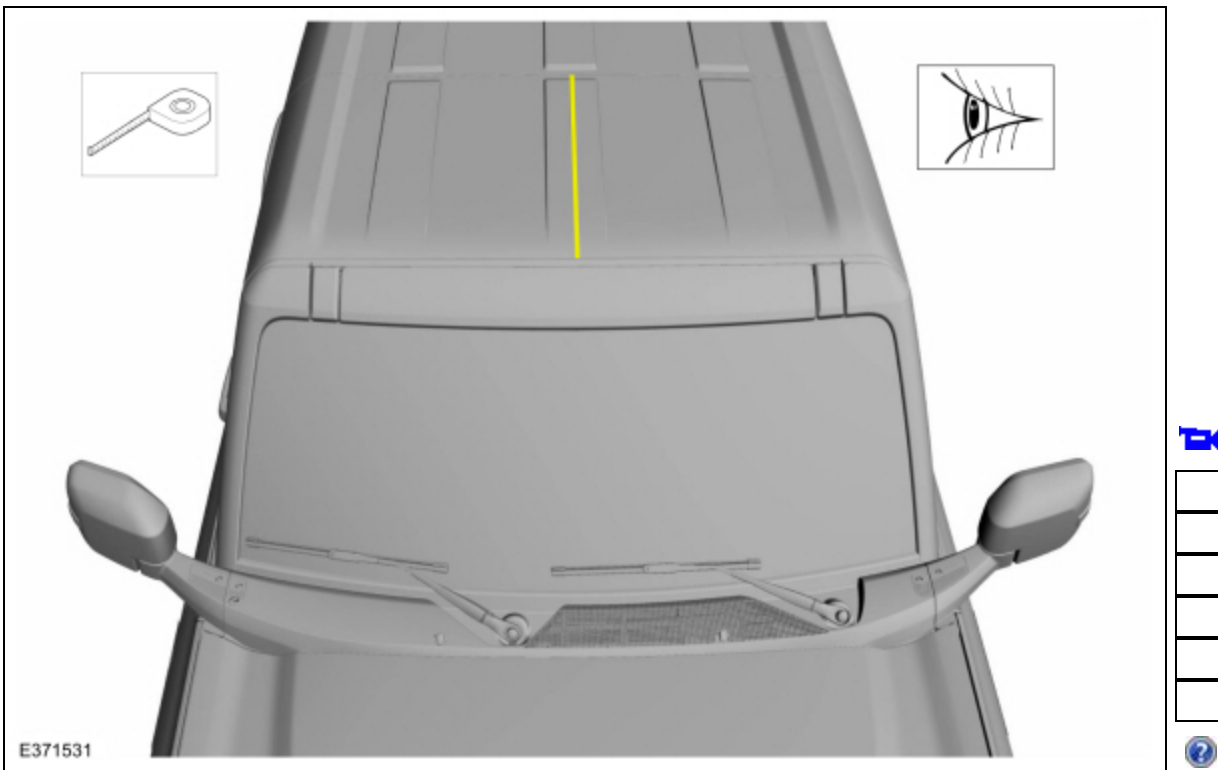
Repair

1. Evaluate margin and flushness of the hard top front panels to the windshield header.

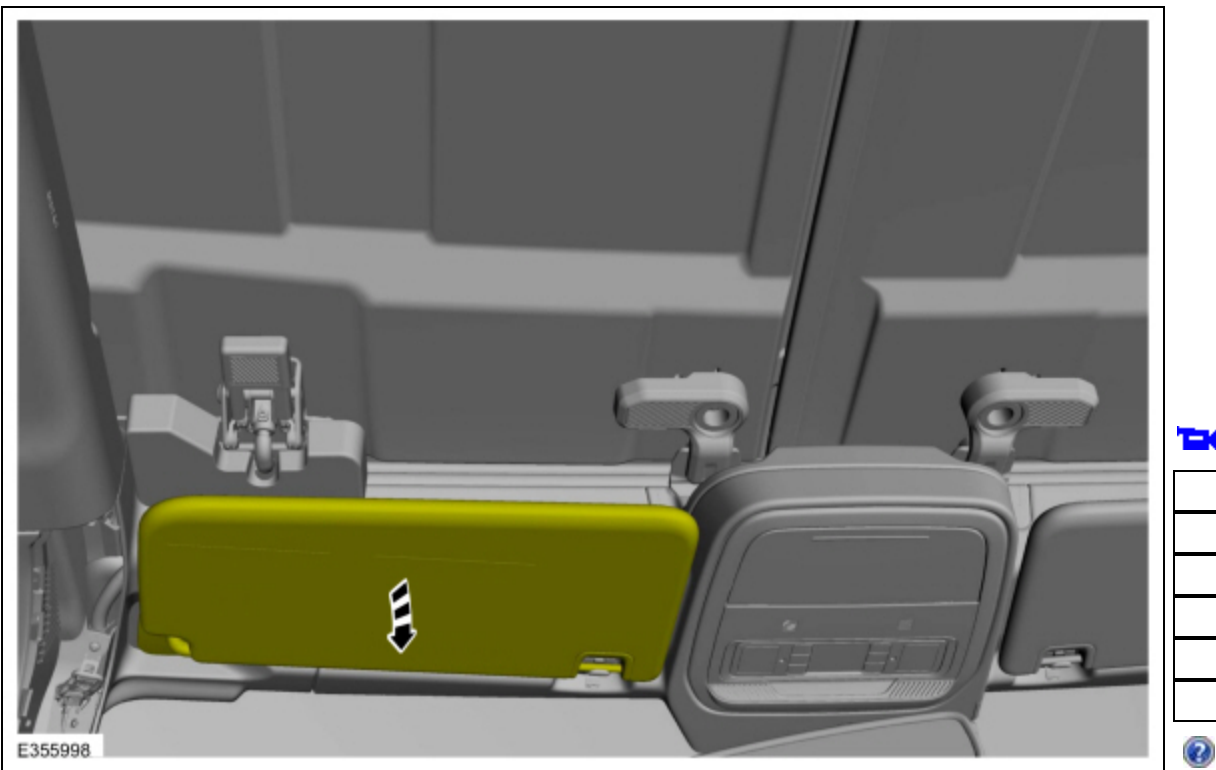


2. **NOTE:** Do not adjust the center roof receivers if the flushness is within specification and visual appearance is good

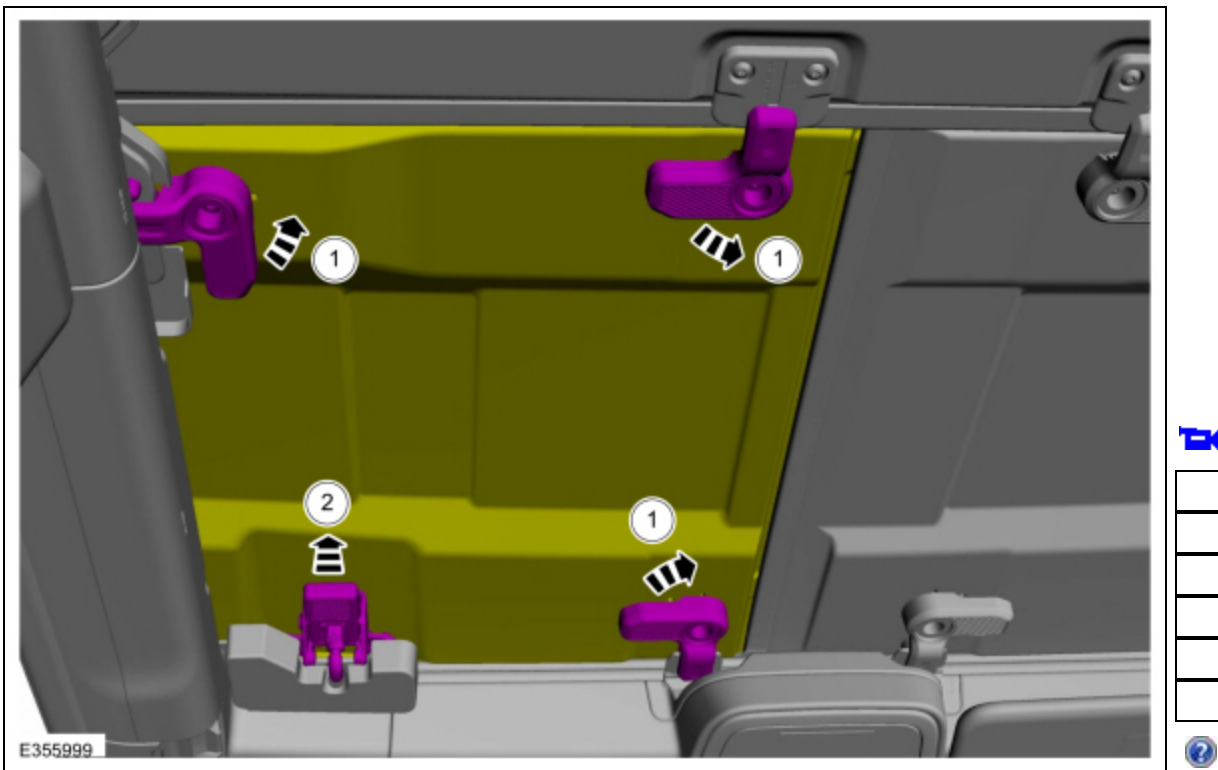
- Adjust the center roof receivers if the hard top front panels are too high or too low at the vehicle centerline.
- Note the direction and amount of adjustment required for the front panels.



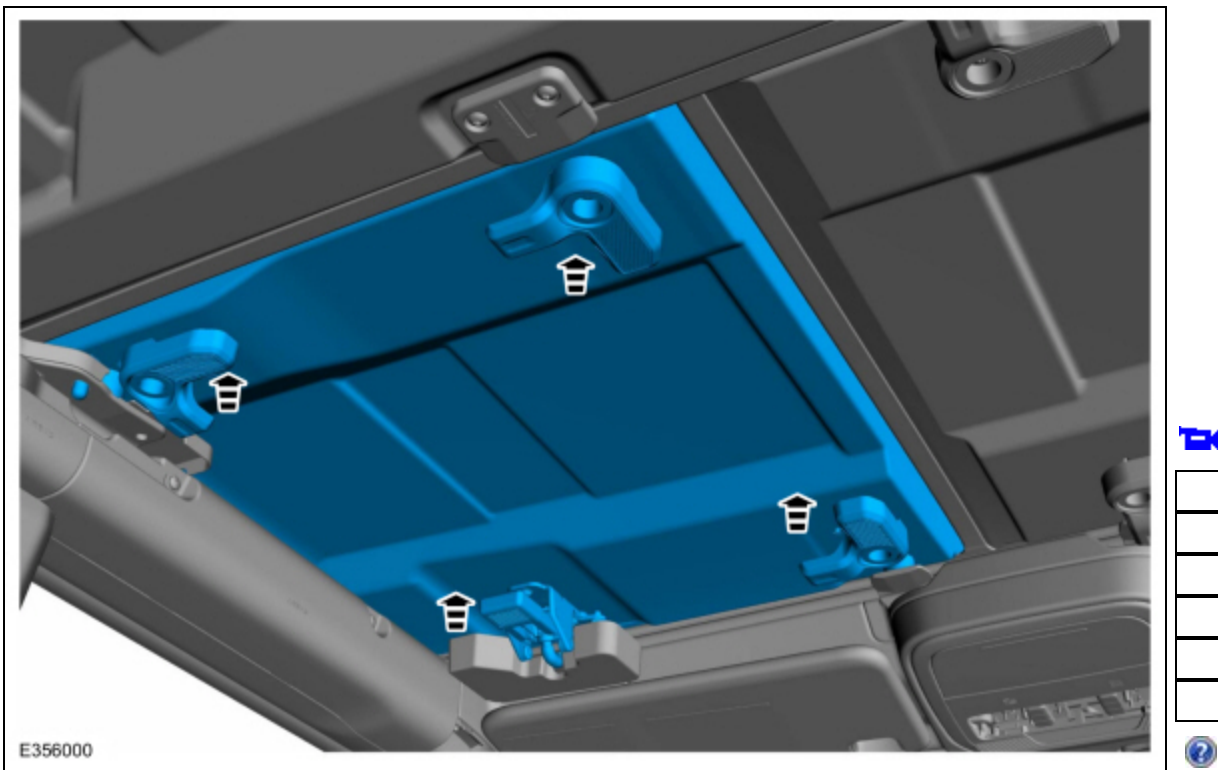
3. Fold down the LH sun visor against the windshield.



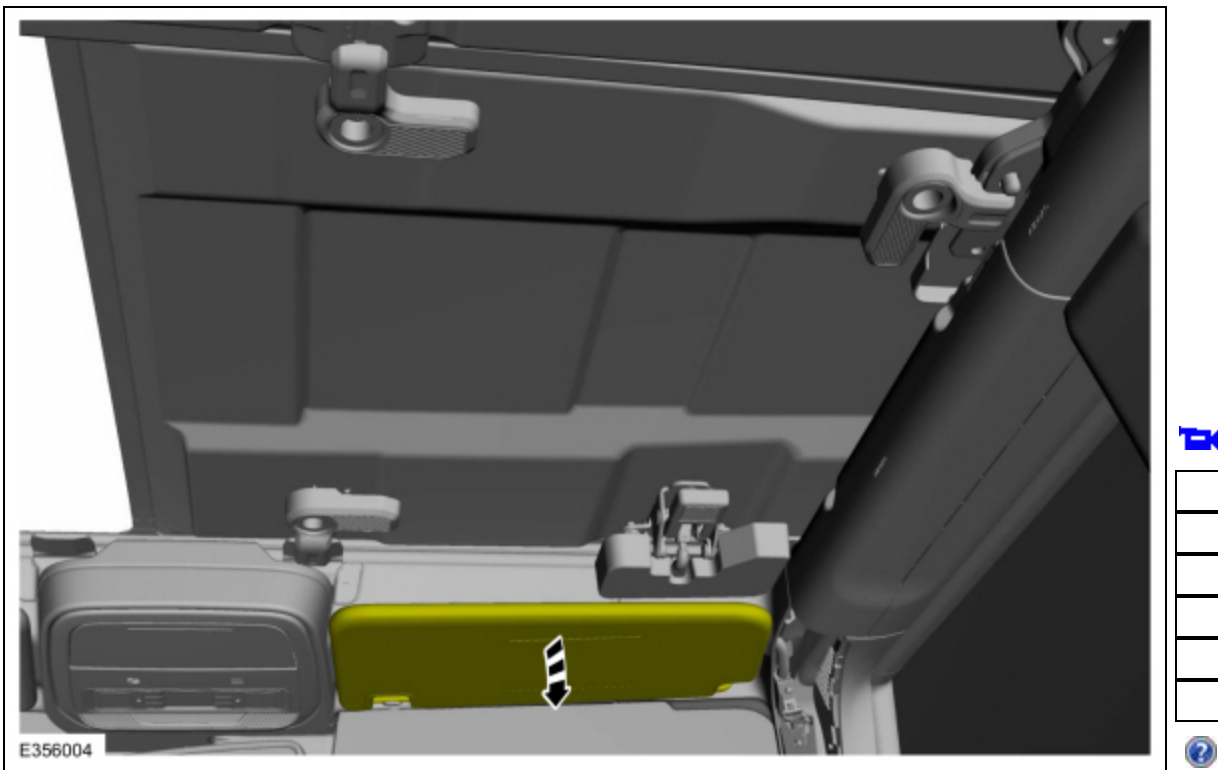
4.
 1. Turn the three L-shaped latches on the hard top front panel LH , unlocking them from the roof.
 2. Unlatch the hard top front panel LH latch at the top of the windshield.



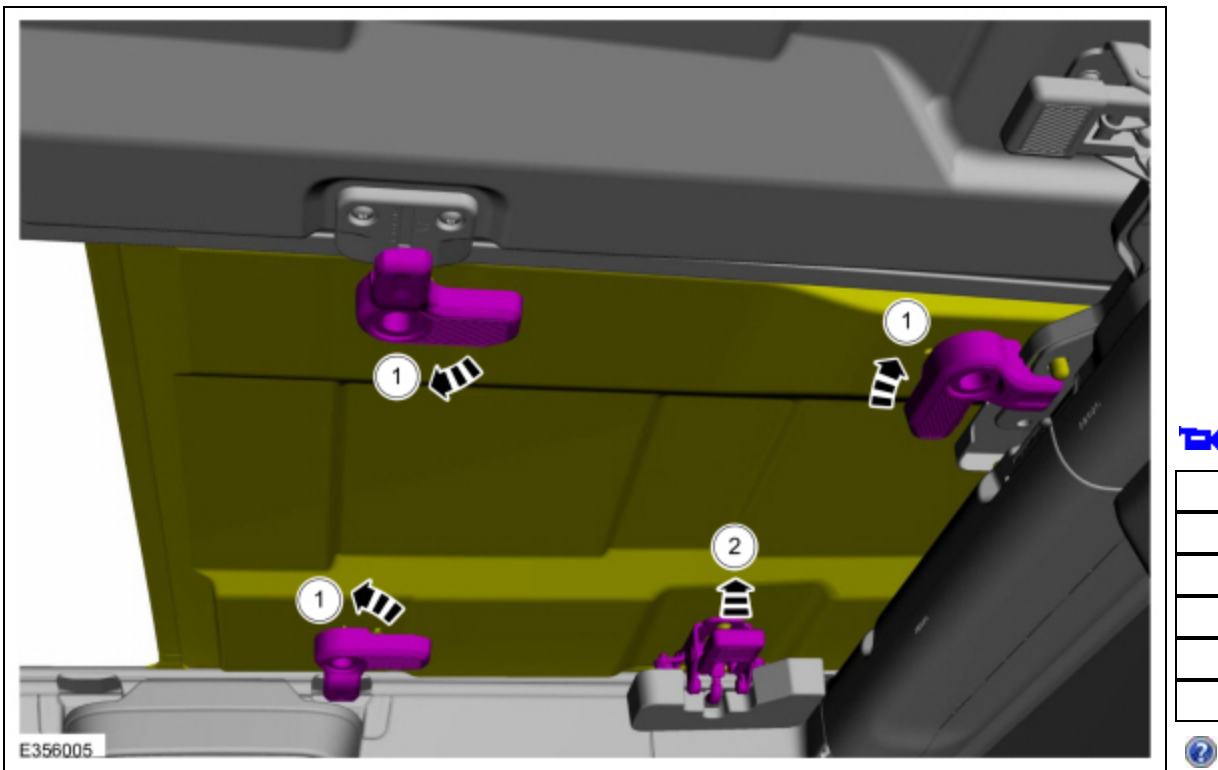
5. Remove the hard top front panel LH .



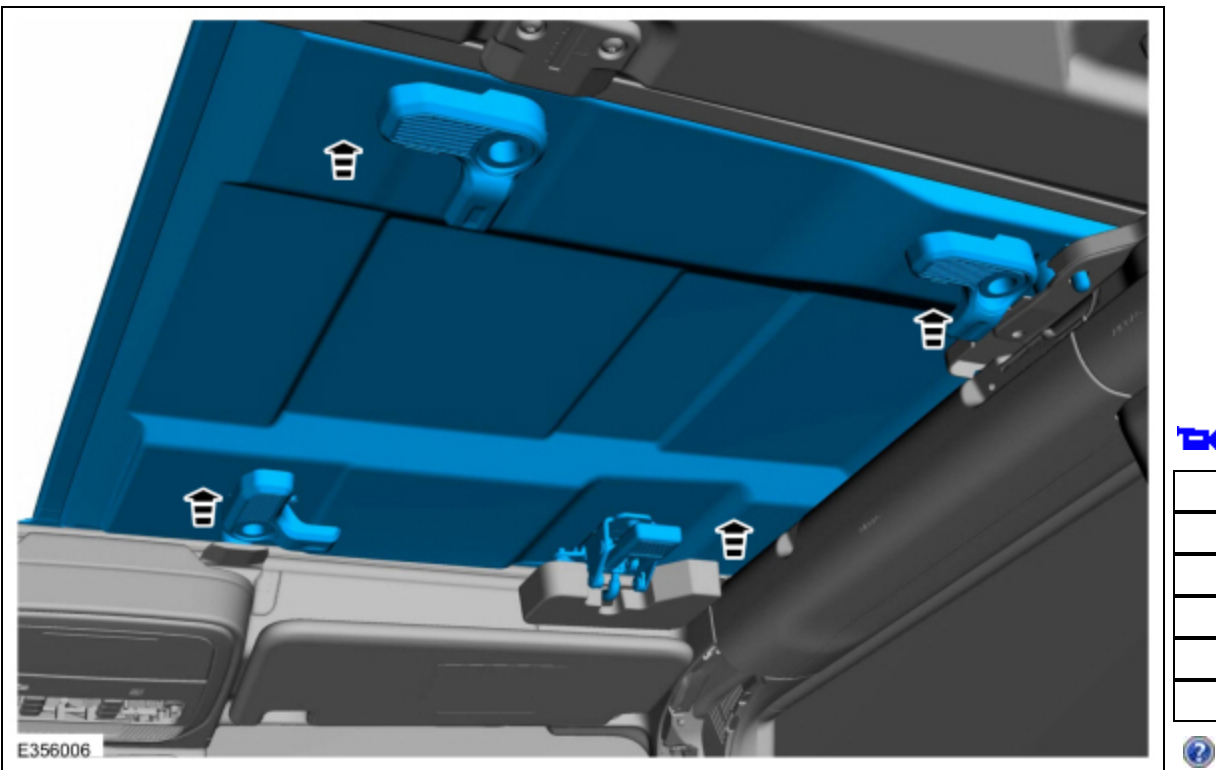
6. Fold down the RH sun visor against the windshield.



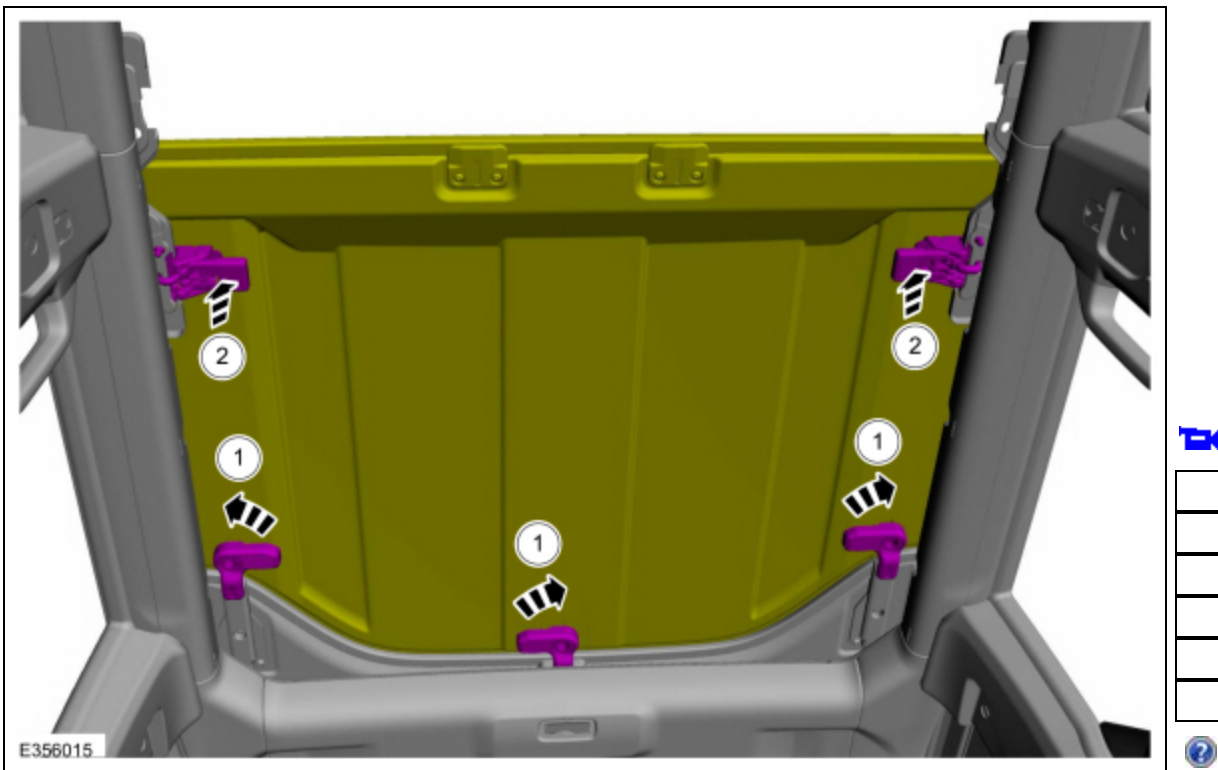
7.
 1. Turn the three L-shaped latches on the hard top front panel RH , unlocking them from the roof.
 2. Unlatch the hard top front panel RH header panel latch at the top of the windshield.



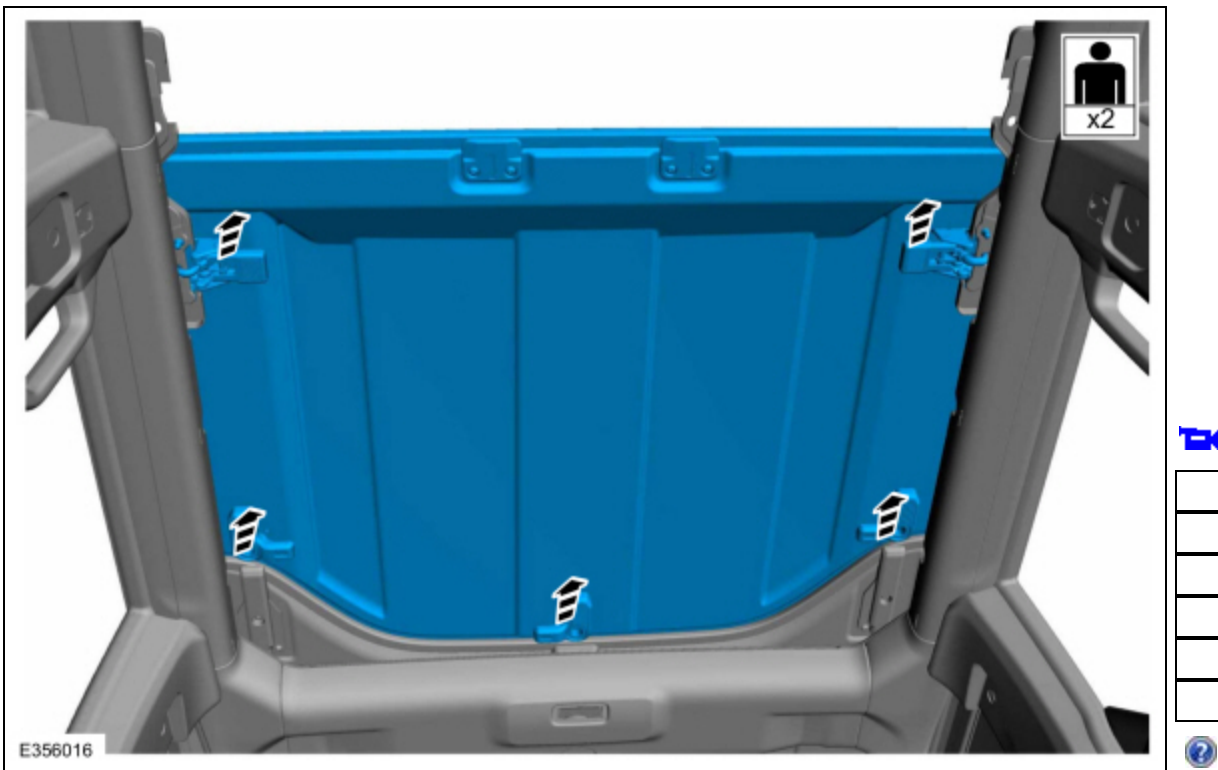
8. Remove the hard top front panel RH .



9.
 1. Turn the 3 turn handles on the center roof panel, unlocking them from the rear roof panel.
 2. Unlatch the LH side and RH side flip latches of the center roof panel.

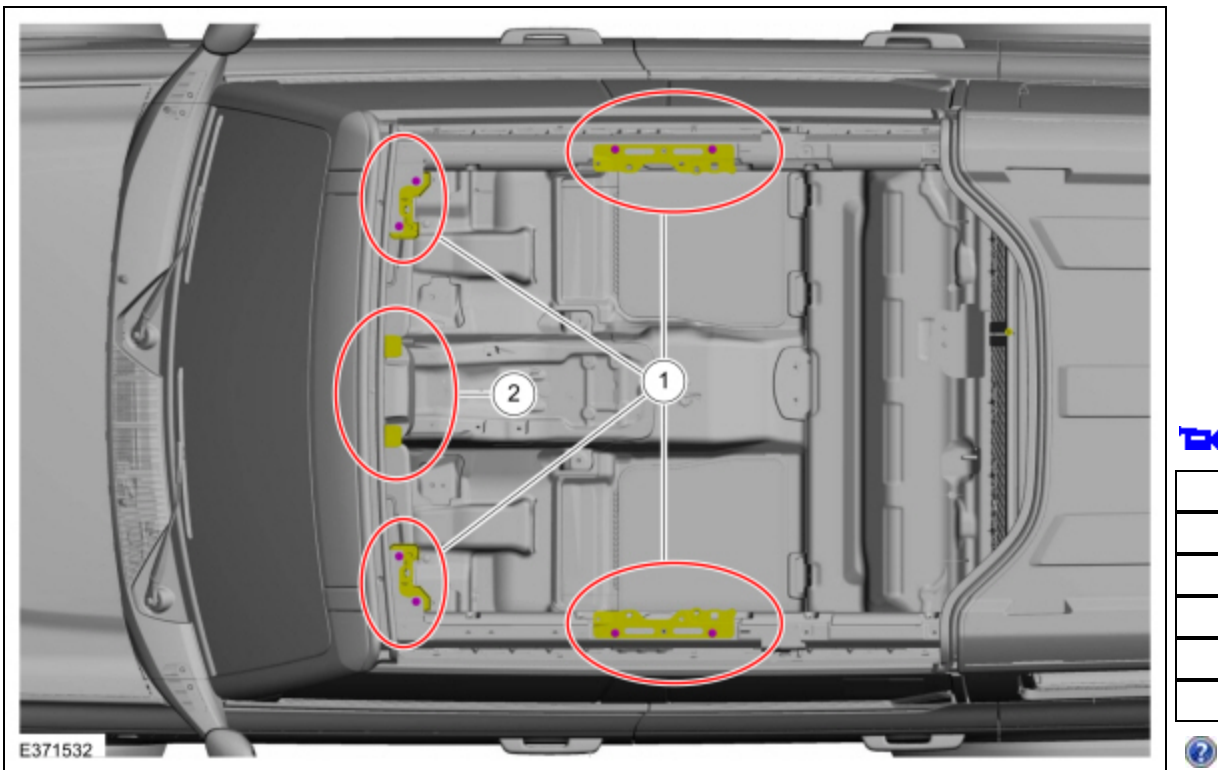


10. Remove the center roof panel.



11.

1. Loosen the latch receiver fasteners. Do not completely loosen the fasteners.
2. Do not adjust the center roof receivers if the flushness is within specification and visual appearance is good.

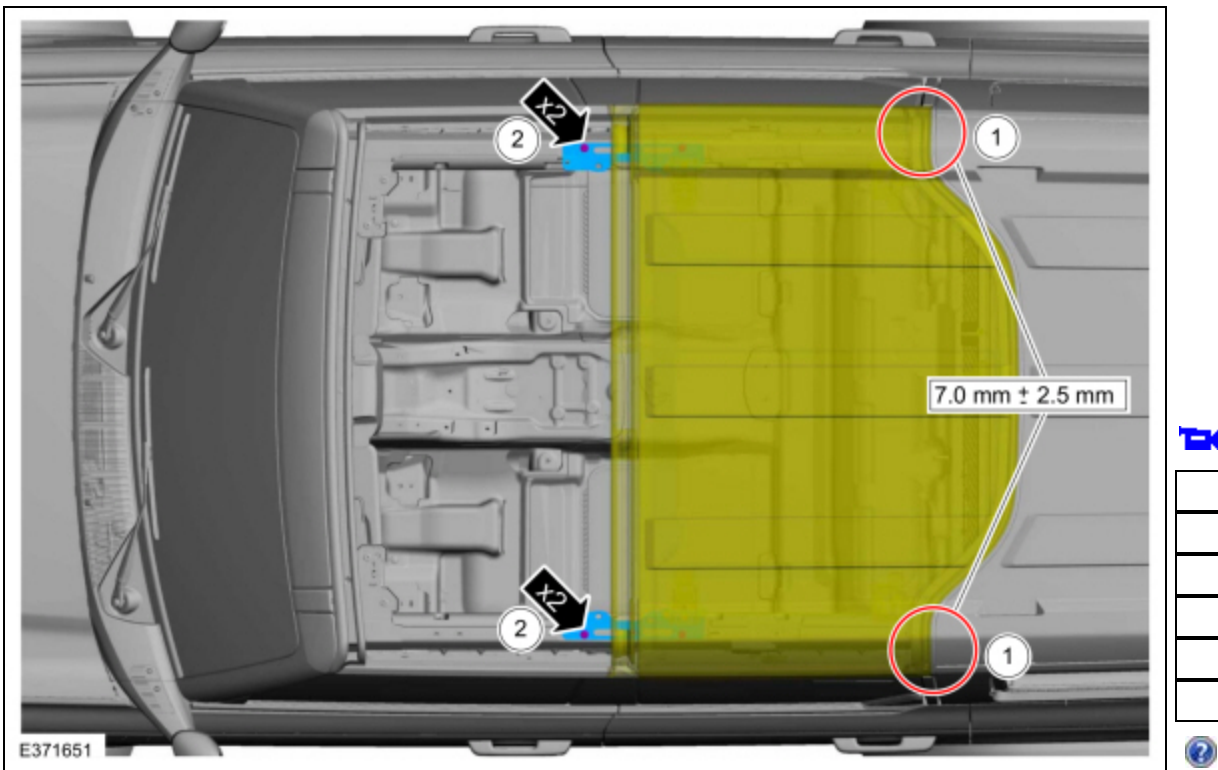


12. **NOTE:** Steps 12 and 13 to be performed simultaneously.

1. Install the center panel on the vehicle and push rearward until nominal gap to the rear cap assembly is achieved.

Panel margin between the center panel and rear cap assembly	7.0 mm ± 2.5 mm
---	-----------------

2. Hand tighten the receiver fasteners when the desired fit is achieved.

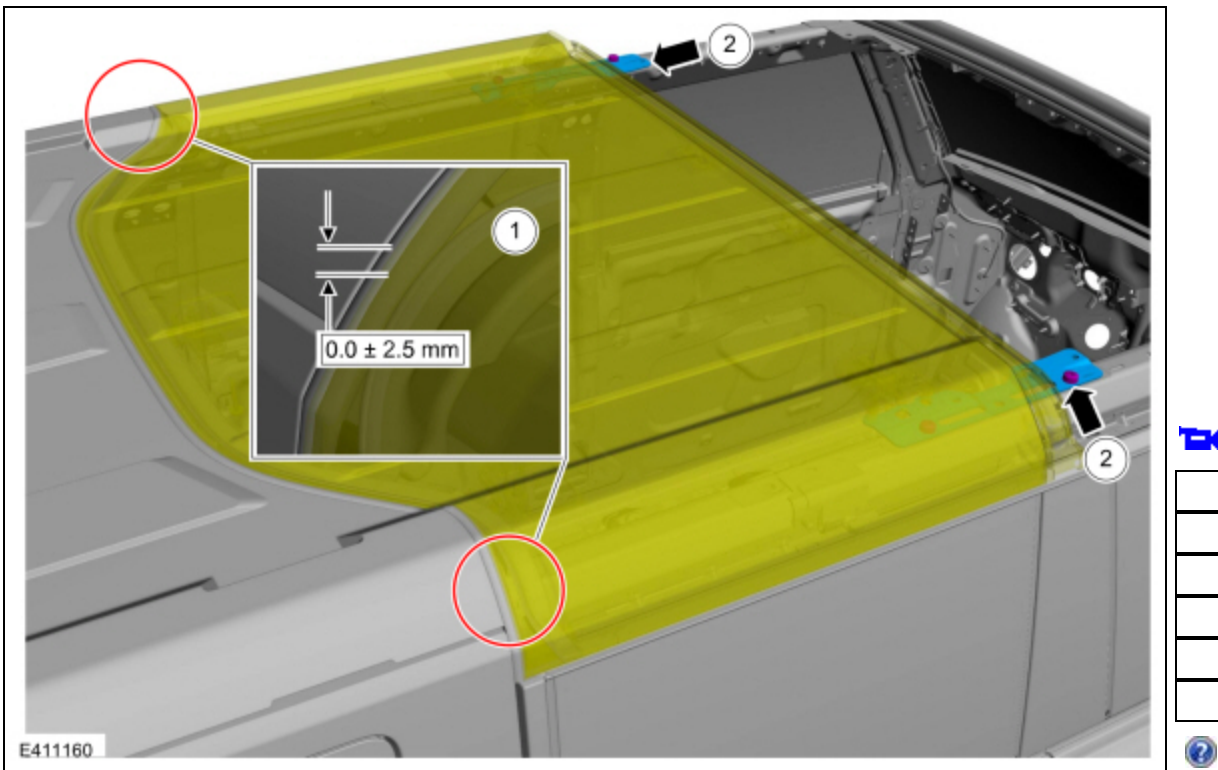


13. **NOTE:** Steps 12 and 13 to be performed simultaneously.

1. Install the center panel on the vehicle and adjust until nominal flushness to the rear cap assembly is achieved.

Panel flushness between the center panel and rear cap assembly	0.0 mm ± 2.5 mm
--	-----------------

2. Hand tighten the receiver fasteners when the desired fit is achieved.



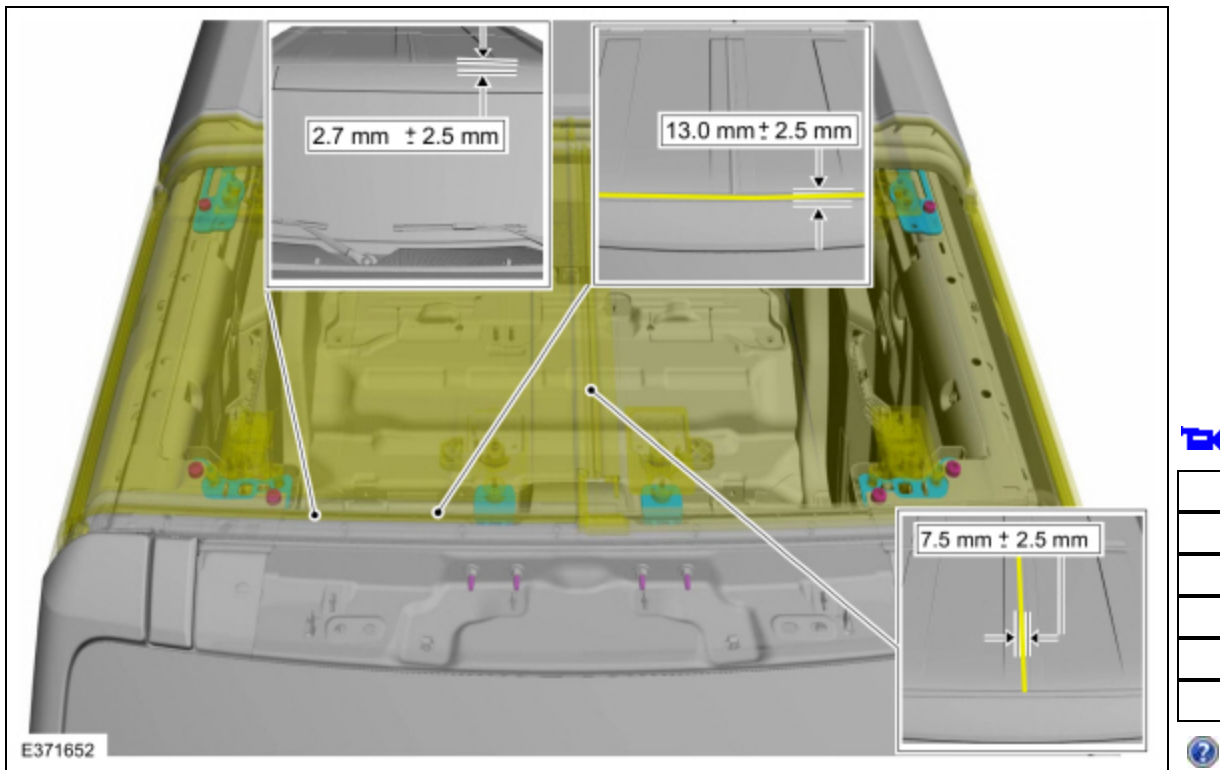
14. Install the front panels on the vehicle and adjust to achieve the desired fit.

1. Panel flushness - Adjust the center receivers up/down to resolve issues where front panels are not sealing tight with the front header seal.

Panel flushness between front panels and front header seal	2.7 mm ± 2.5 mm
--	-----------------

2. Panel margin - Inspect the front panels for presence of large Vegas. Adjust the panel margin by the receivers on pillars A and B.

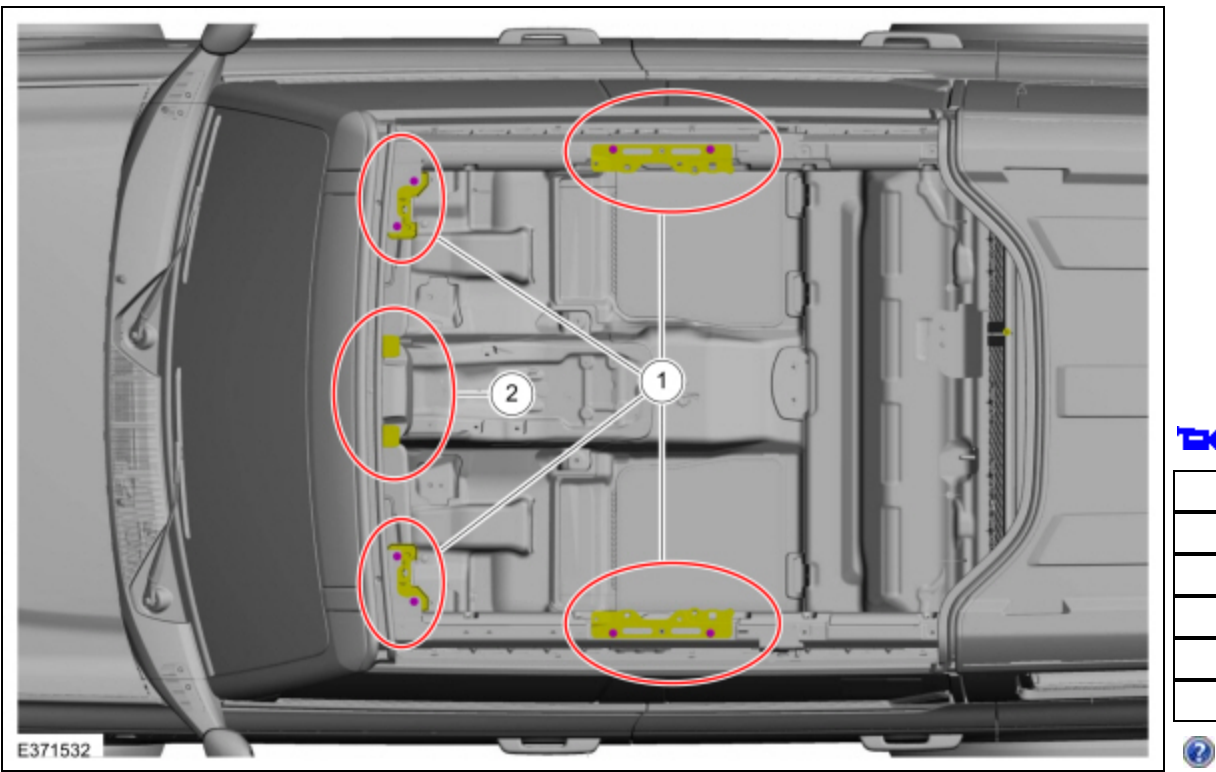
Panel margin between front panels LH and RH	7.5 mm ± 2.5 mm
Panel margin between front panels and front header seal	13 mm ± 2.5 mm



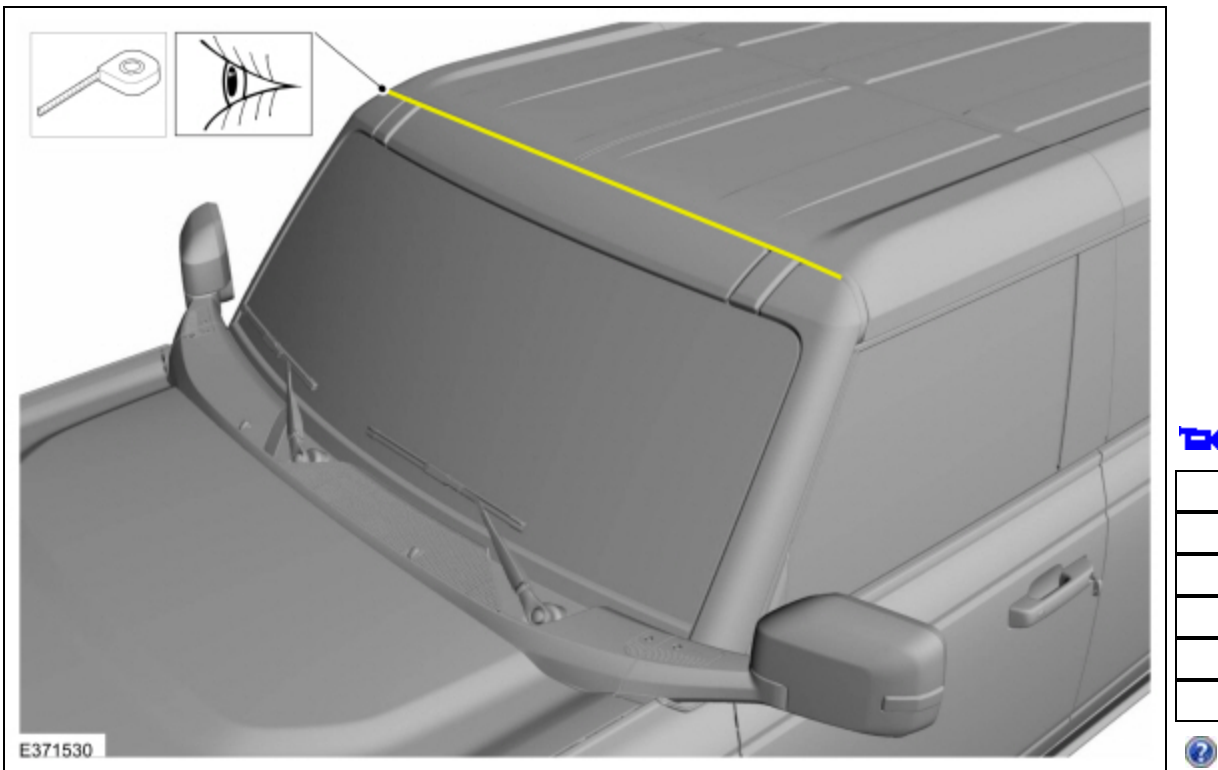
15. **NOTE:** *Install all the bolts finger tight before final tightening.*

Carefully remove the hard top panels after the desired fit is achieved.

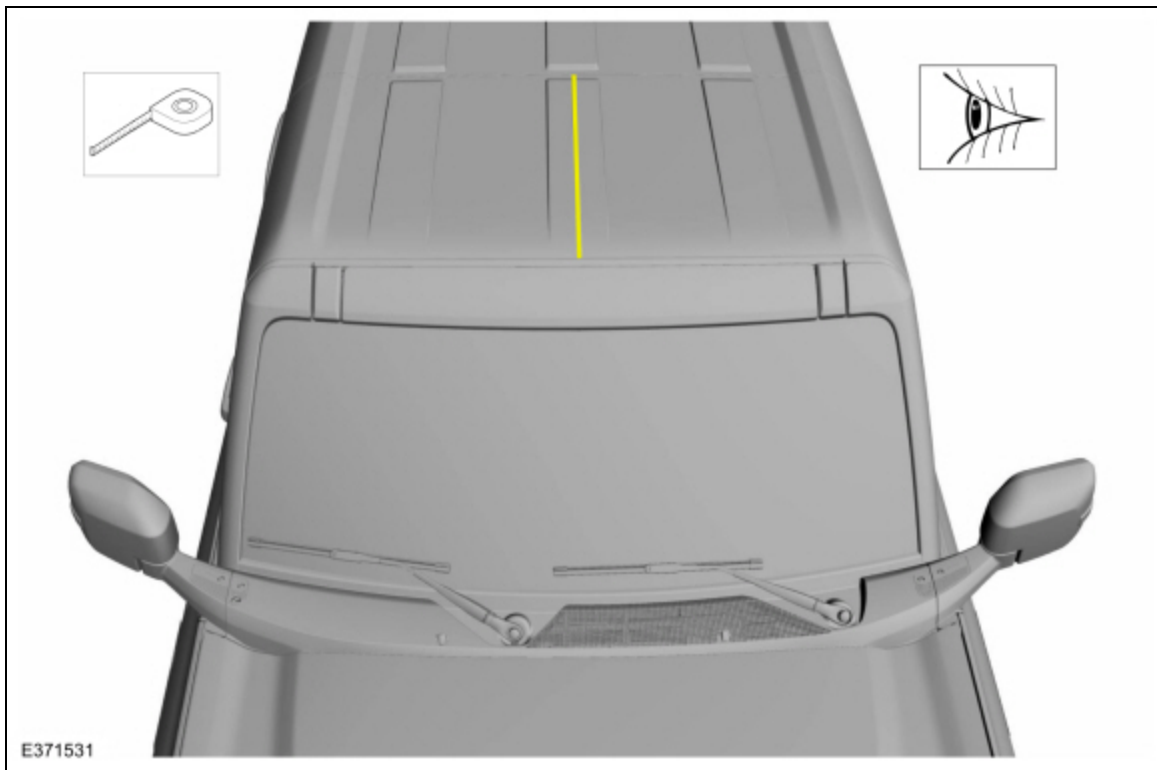
1. Tighten the fasteners.
Torque: 177 lb.in (20 Nm)
2. Tighten the fasteners.
Torque: 177 lb.in (20 Nm)



16. Install the center and the front panels. Check the fit to ensure correct fitment as per specifications.



17. Install the center and the front panels. Check the fit to ensure correct fitment as per specifications.



18. Replace the hard top front panel or the center panel if the desired fit is not achieved.

Mating panels	Replacement panel
Front panel to front windshield header	Replace faulty front panel
Front panel to center panel	Replace faulty front panel
Center panel to rear cap assembly	Replace the center panel

