

Halfshaft

Removal

NOTICE: Do not hold the halfshaft by the CV joint.

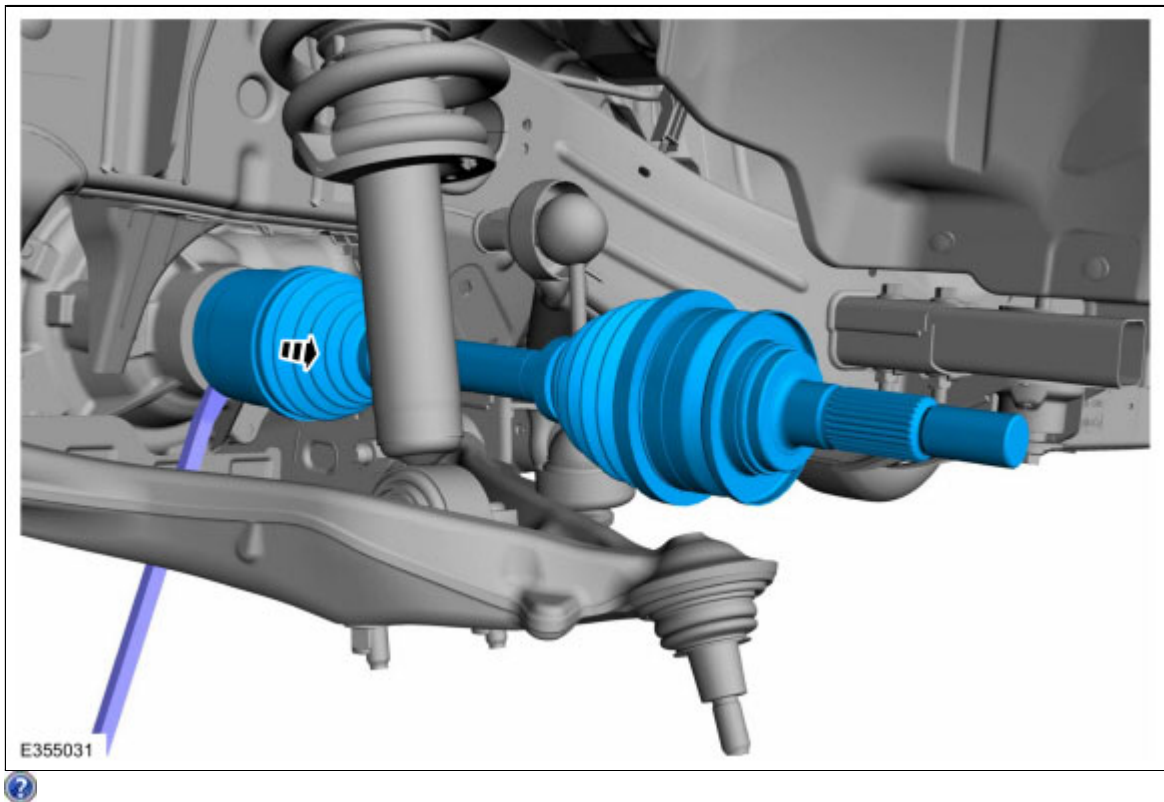
NOTICE: The inner CV joint must not be bent more than 18°.

NOTE: Removal steps in this procedure may contain installation details.

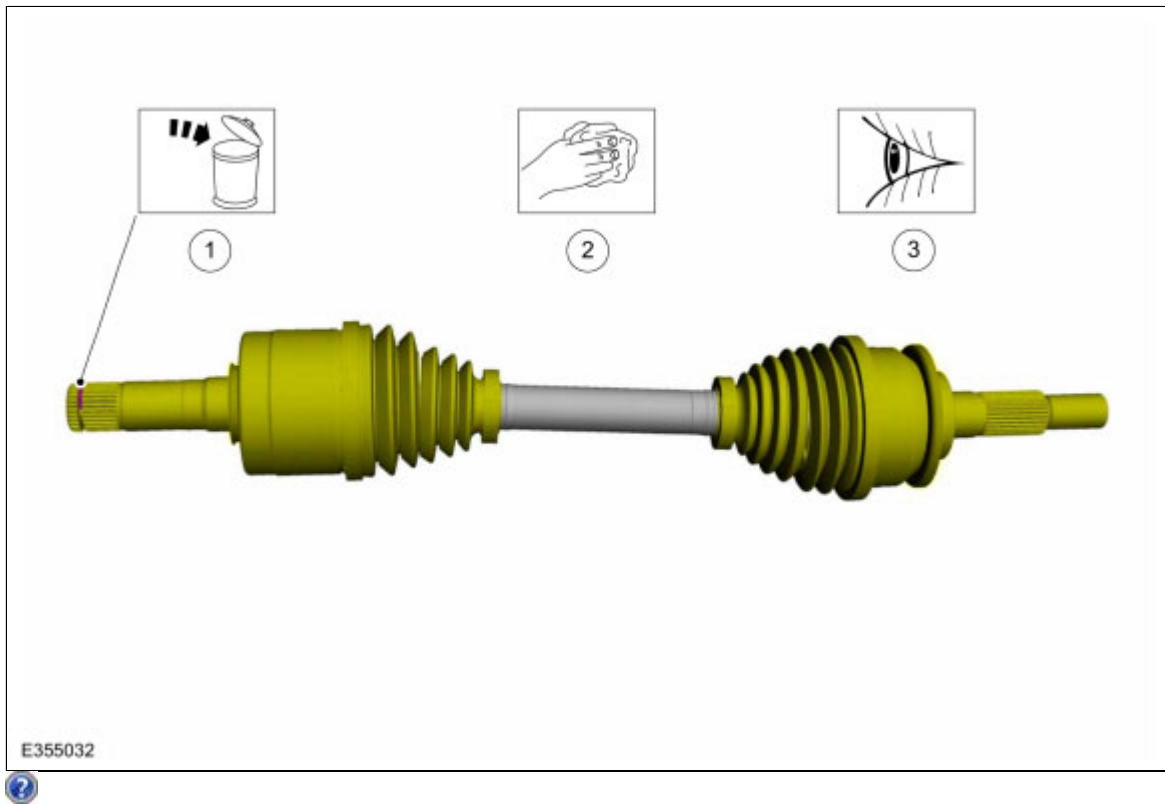
NOTE: Left hand (LH) shown, right hand (RH) similar.

1. Remove the wheel knuckle.
Refer to: [Wheel Knuckle](#) (204-01 Front Suspension, Removal and Installation).
2. **NOTE:** Use care to not cause damage to the components.

Remove the front halfshaft.
Use the General Equipment: Tire Lever

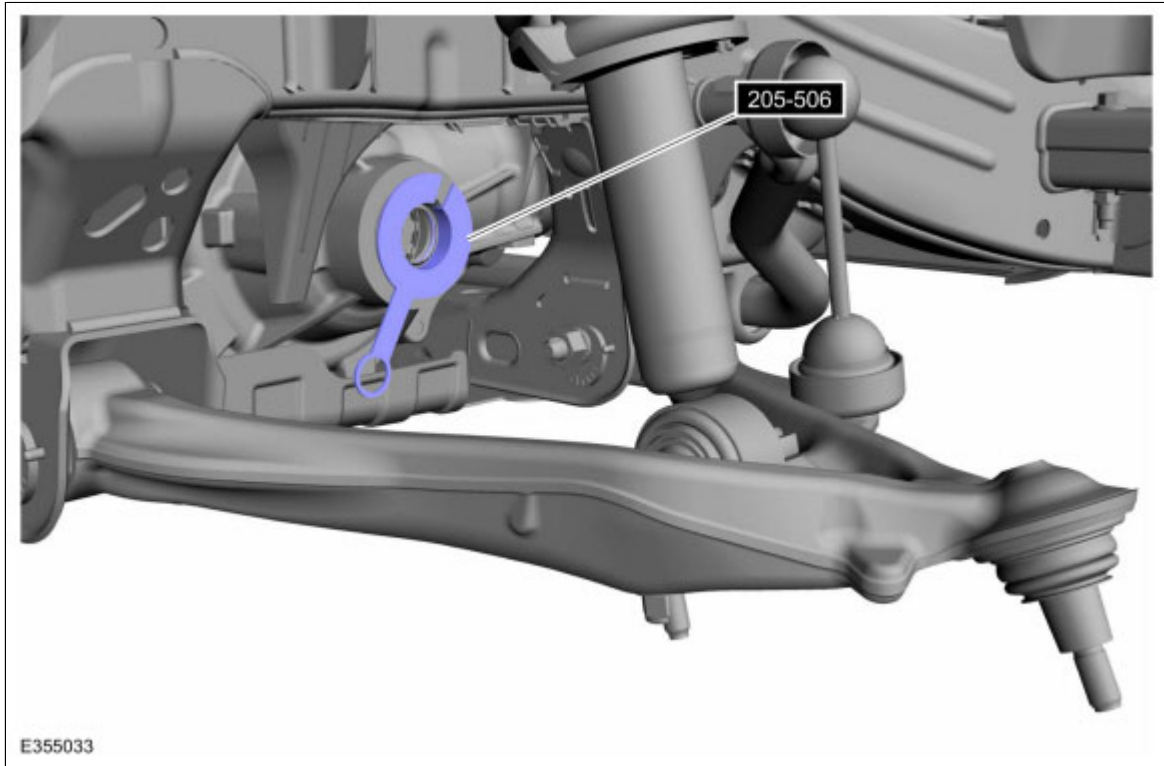


3.
 1. Remove and discard the circlip.
 2. Clean the inner and outer halfshaft ends.
 3. Inspect the inner and outer halfshaft ends.



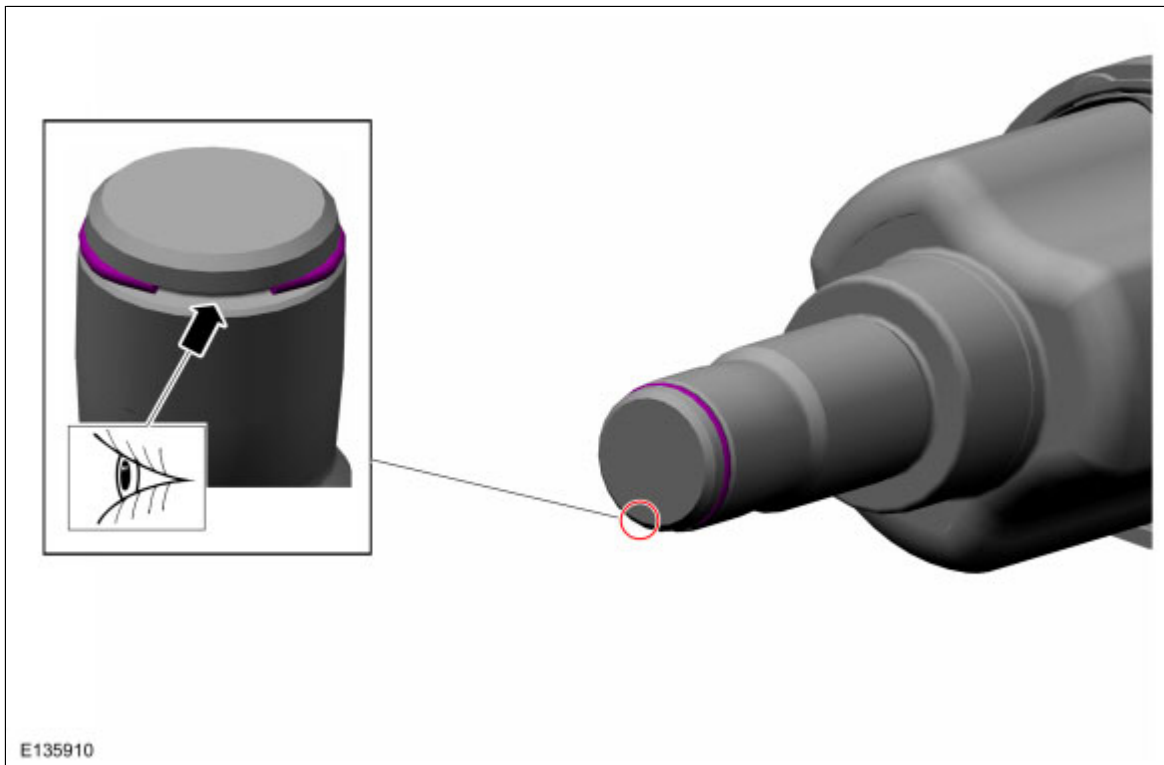
Installation

1. To install, reverse the removal procedure.
2. Replace the respective axle shaft seal.
 Refer to: [Halfshaft Seal RH](#) (205-03A Front Drive Axle/Differential, Removal and Installation).
 Refer to: [Halfshaft Seal LH](#) (205-03A Front Drive Axle/Differential, Removal and Installation).
 Refer to: [Halfshaft Seal LH](#) (205-03B Front Drive Axle/Differential - 4x4 with Part Time Engagement, Removal and Installation).
 Refer to: [Halfshaft Seal RH](#) (205-03B Front Drive Axle/Differential - 4x4 with Part Time Engagement, Removal and Installation).
3. *Install Special Service Tool : 205-506 Protector, Halfshaft Seal*



- 4. **NOTE:** Make sure that a new component is installed.

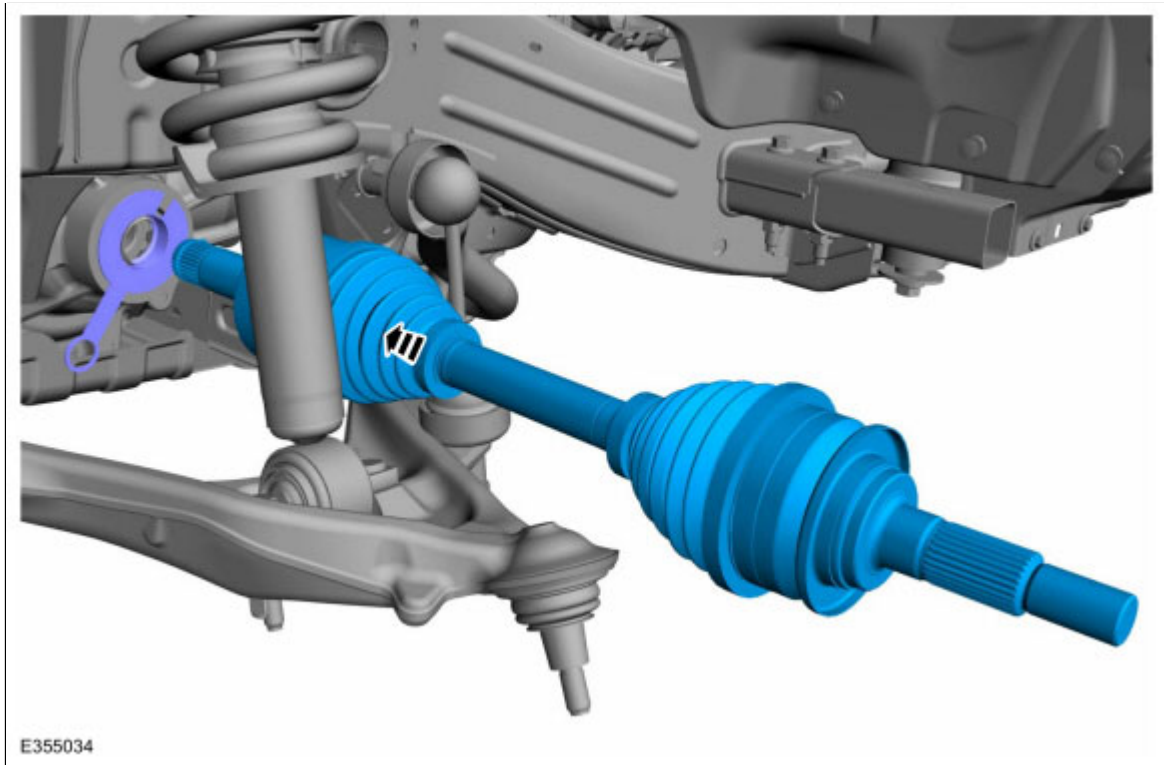
Install the new inner halfshaft retaining circlip.



5. **NOTICE:** Take extra care not to damage the seal.

NOTE: Make sure that a new component is installed.

Remove the halfshaft seal protector before completely installing the halfshaft.
Remove Special Service Tool : 205-506 Protector, Halfshaft Seal



6. Install the wheel knuckle.
Refer to: [Wheel Knuckle](#) (204-01 Front Suspension, Removal and Installation).
7. Refill and check the front differential fluid level.
Refer to: [Differential Fluid Level Check](#) (205-03A Front Drive Axle/Differential, General Procedures).

Copyright © Ford Motor Company