

## A-Pillar Speaker

### Special Tool(s) / General Equipment

Interior Trim Remover

### Removal

**NOTE:** Removal steps in this procedure may contain installation details.

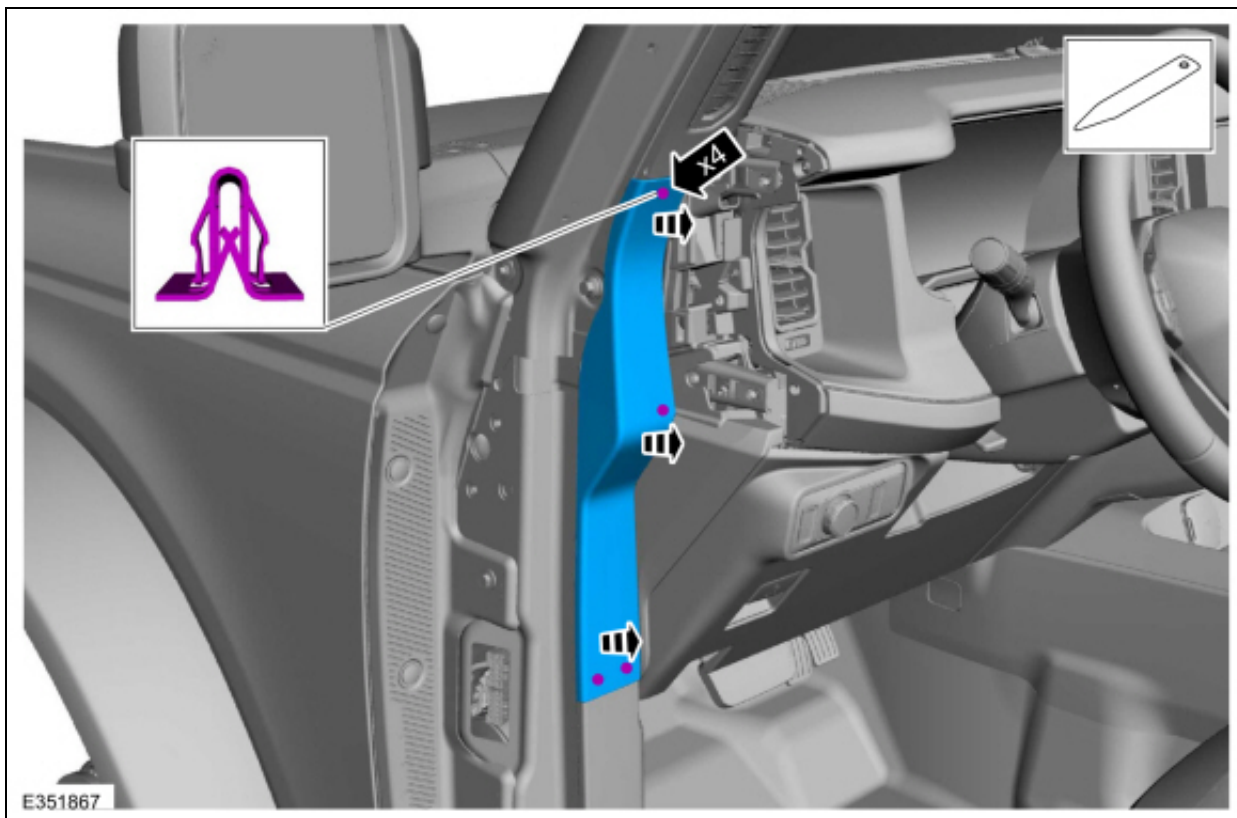
### All vehicles

**NOTE:** Left hand (LH) shown, right hand (RH) similar.

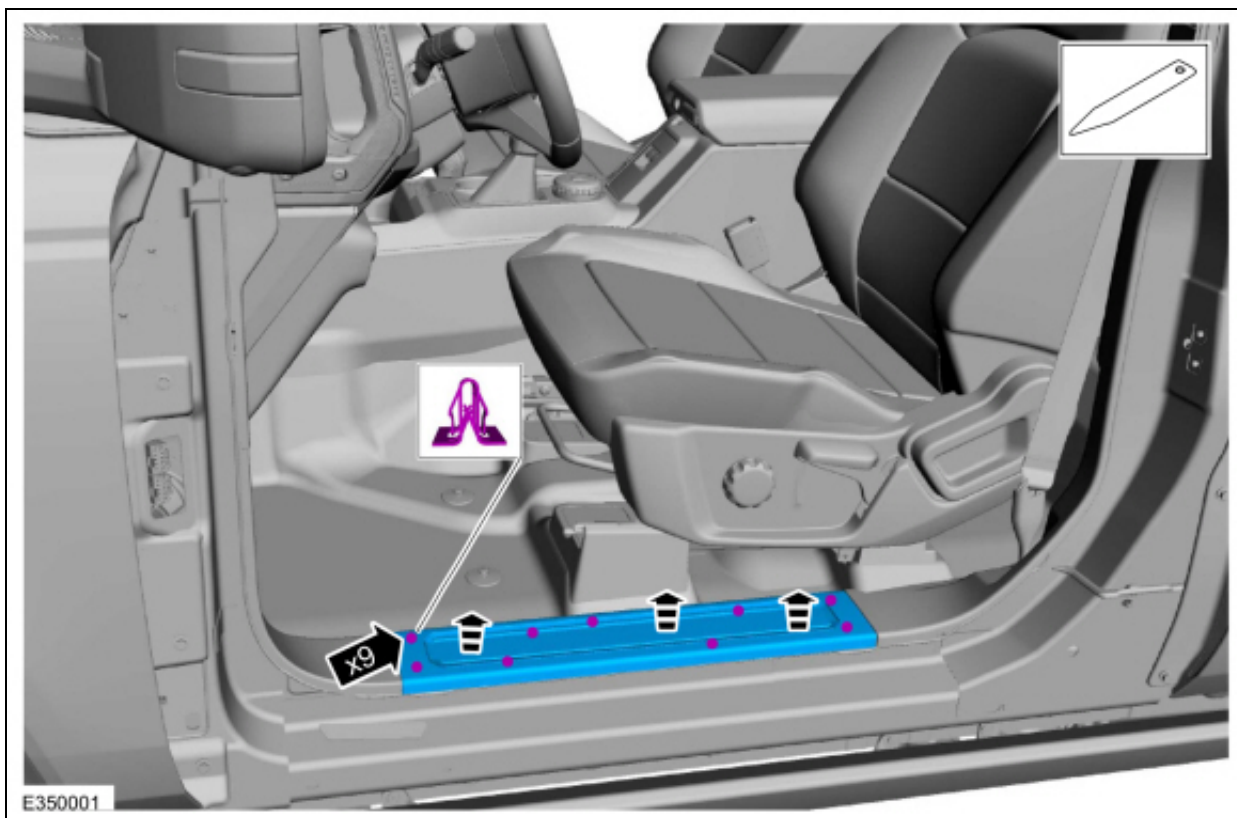
1. Remove the screws and the instrument panel grab handle.  
Torque: 80 lb.in (9 Nm)



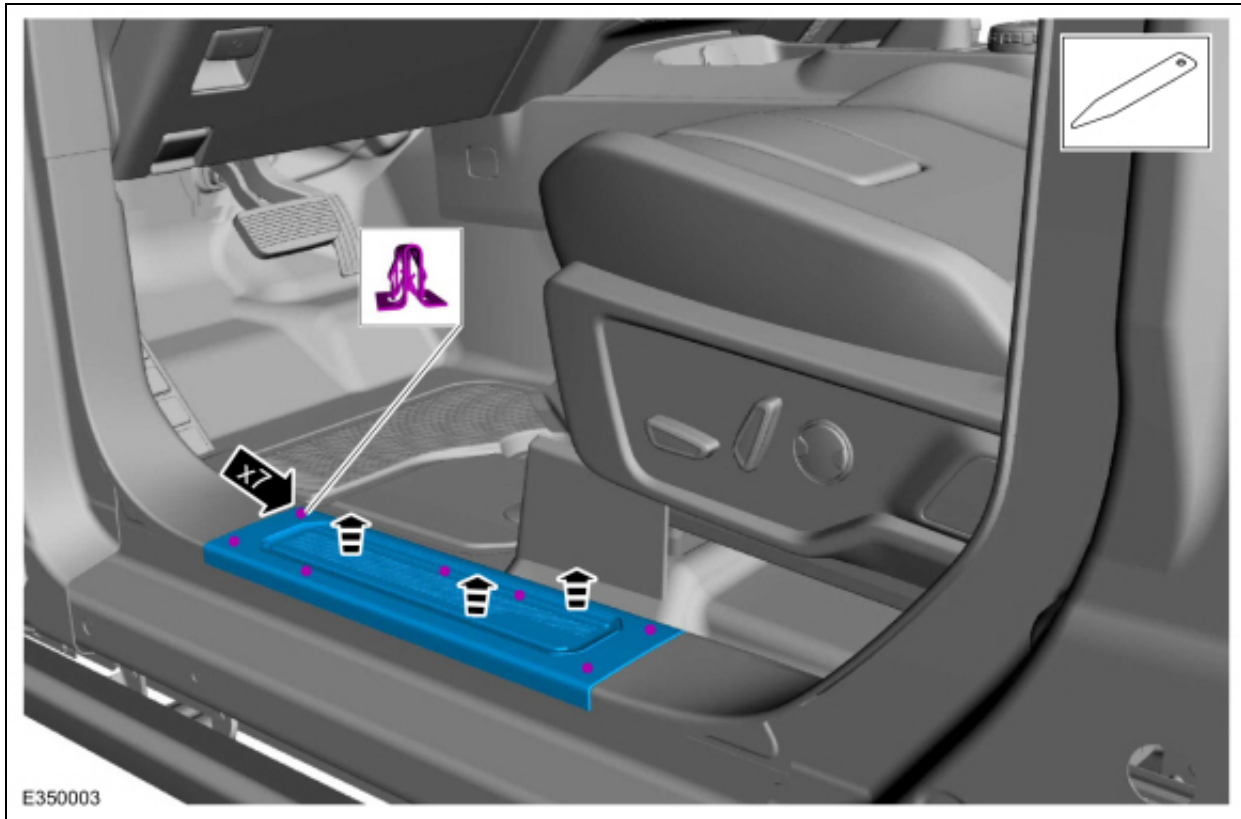
2. Release the clips and remove the cowl side trim panel.  
Use the General Equipment: Interior Trim Remover



- 3. On 3-door vehicles.  
Release the clips and remove the front scuff plate trim panel.  
Use the General Equipment: Interior Trim Remover

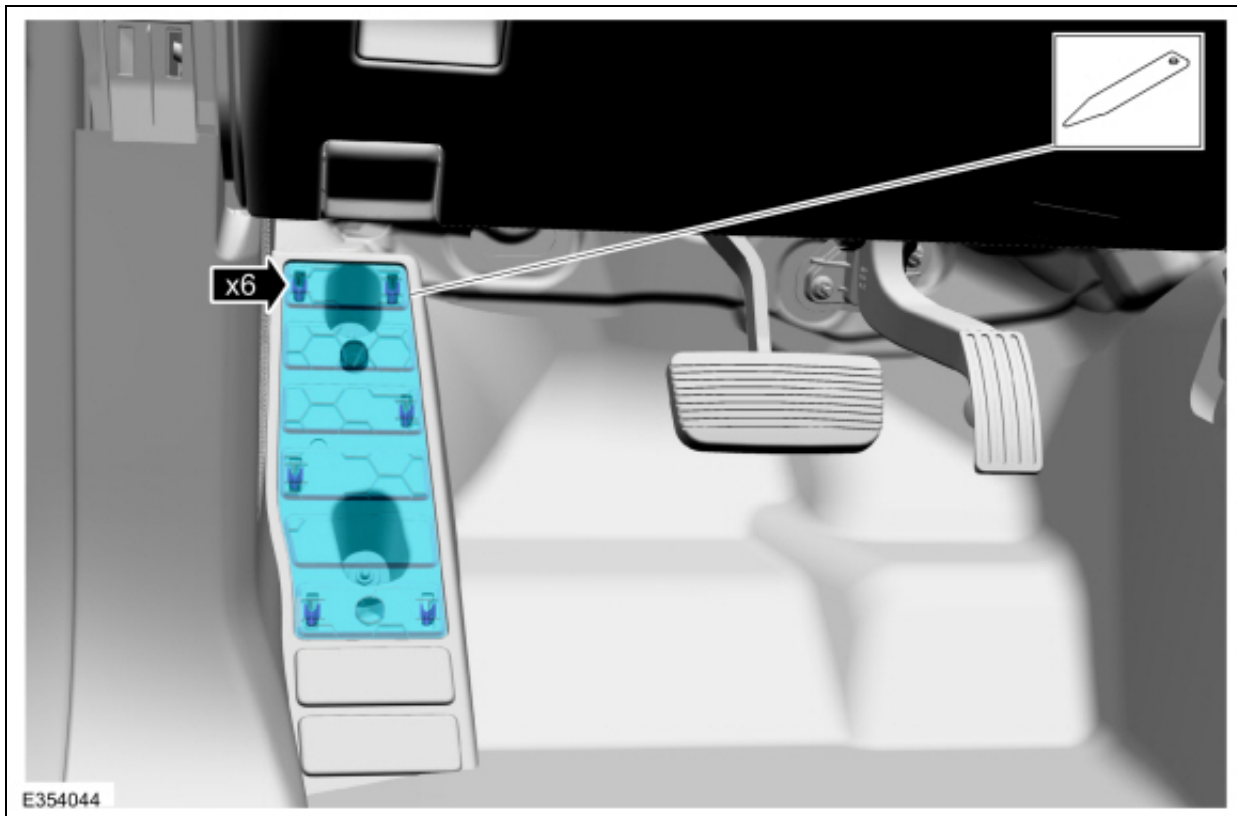


4. On 5-door vehicles.  
Release the clips and remove the front scuff plate trim panel.  
Use the General Equipment: Interior Trim Remover

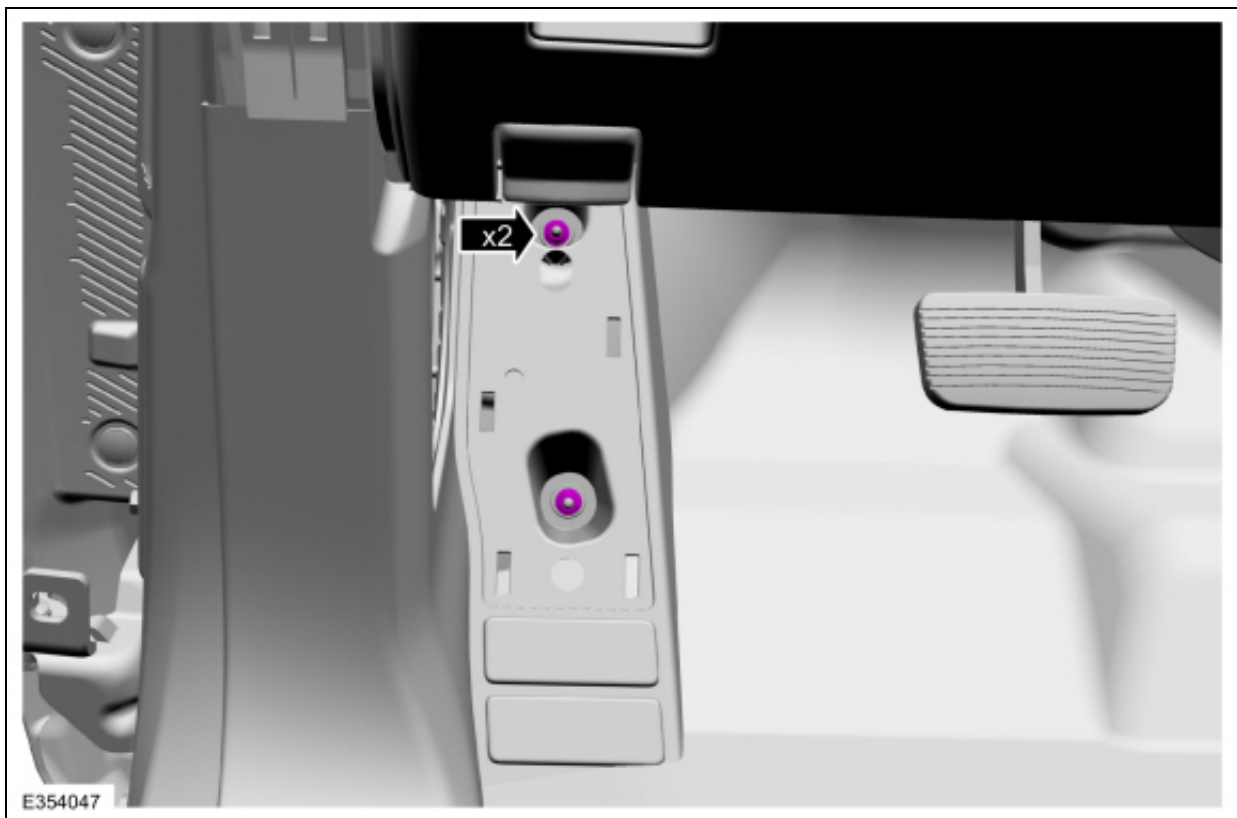


#### Left hand lower cowl side panel panel

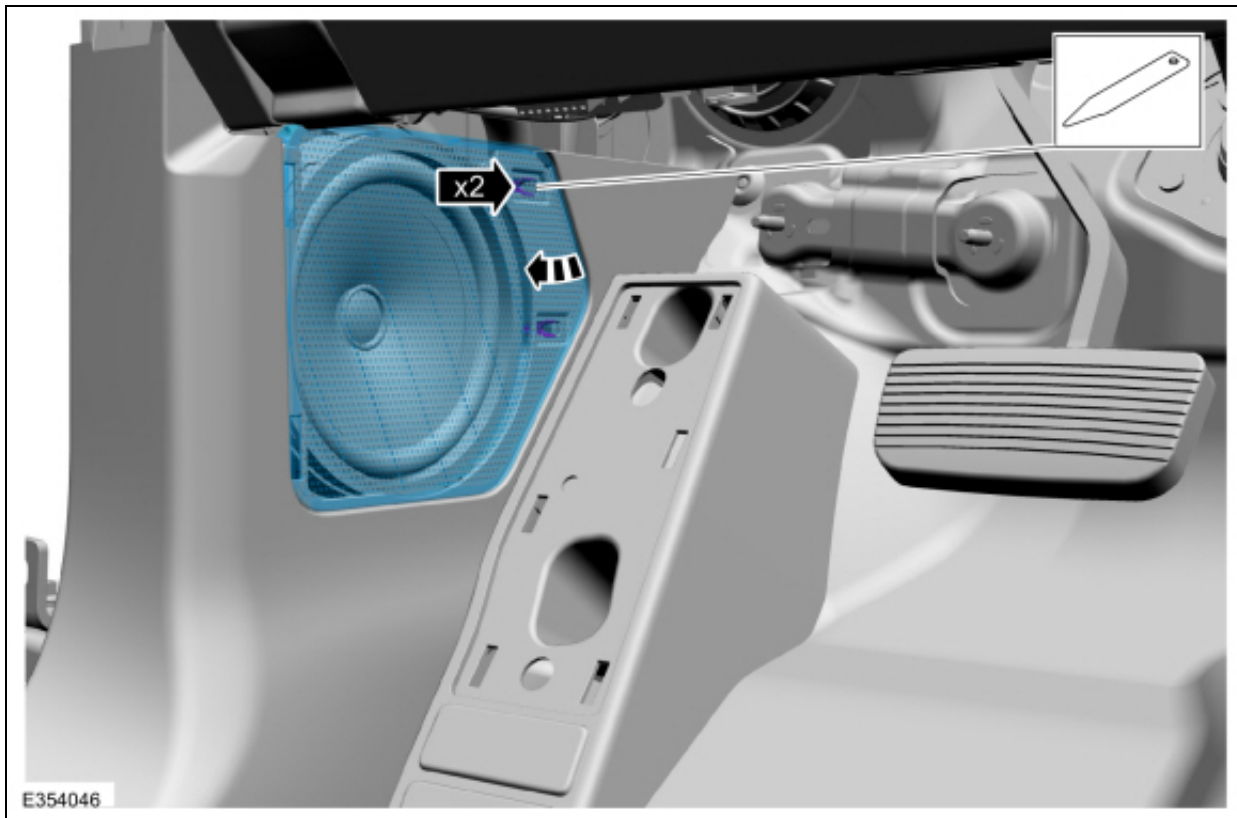
5. Release the clips and remove the driver foot rest trim panel.  
Use the General Equipment: Interior Trim Remover



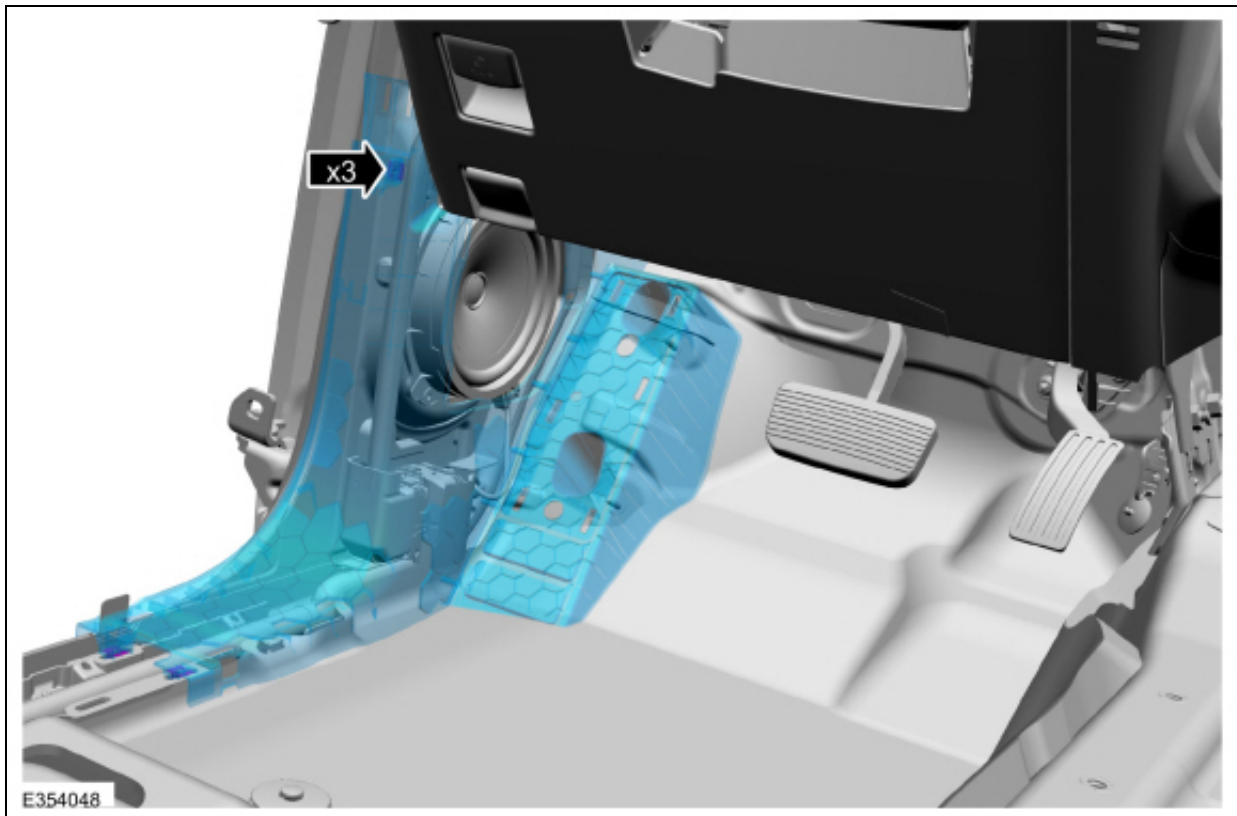
6. Remove the driver foot rest nuts.  
Torque: 28 lb.in (3.2 Nm)



- 7. Release the clips and remove the LH A-pillar speaker grille.  
Use the General Equipment: Interior Trim Remover

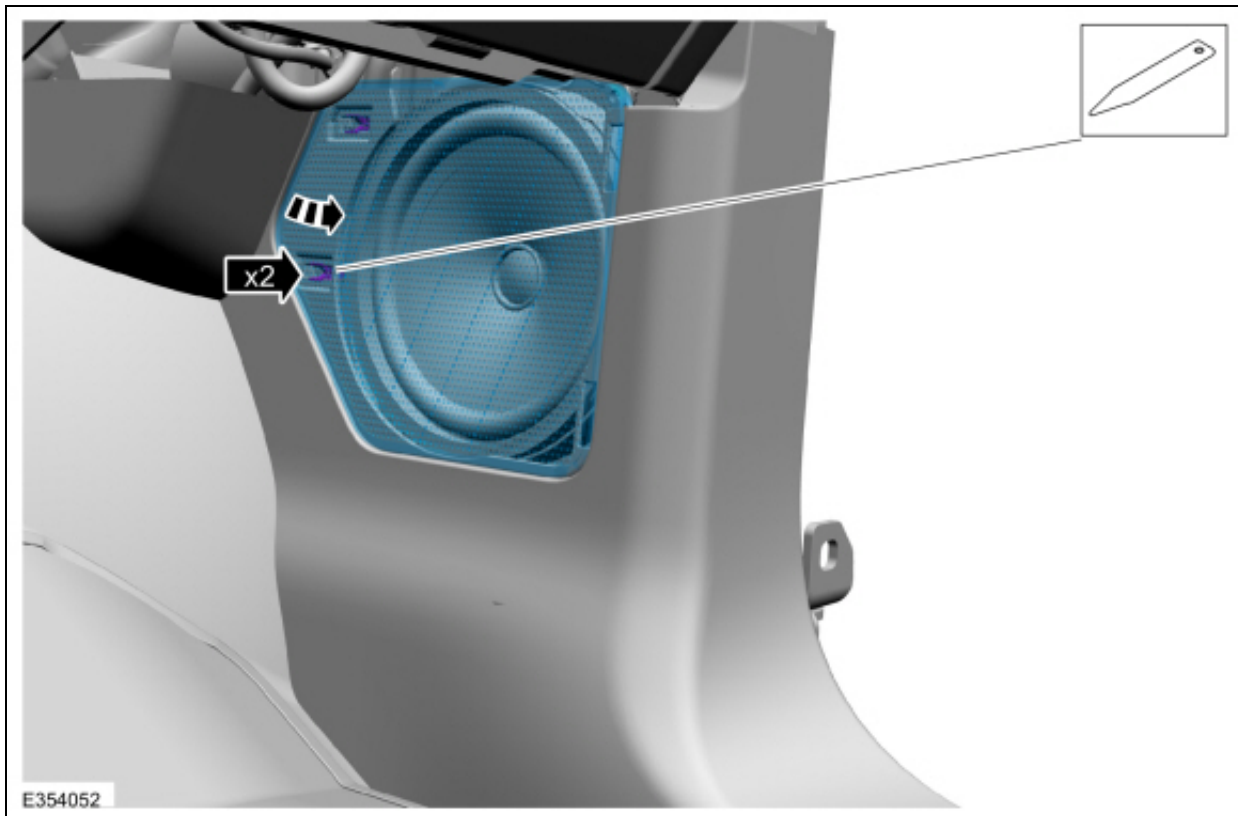


- 8. Release the clips and remove the LH lower cowl side panel panel.

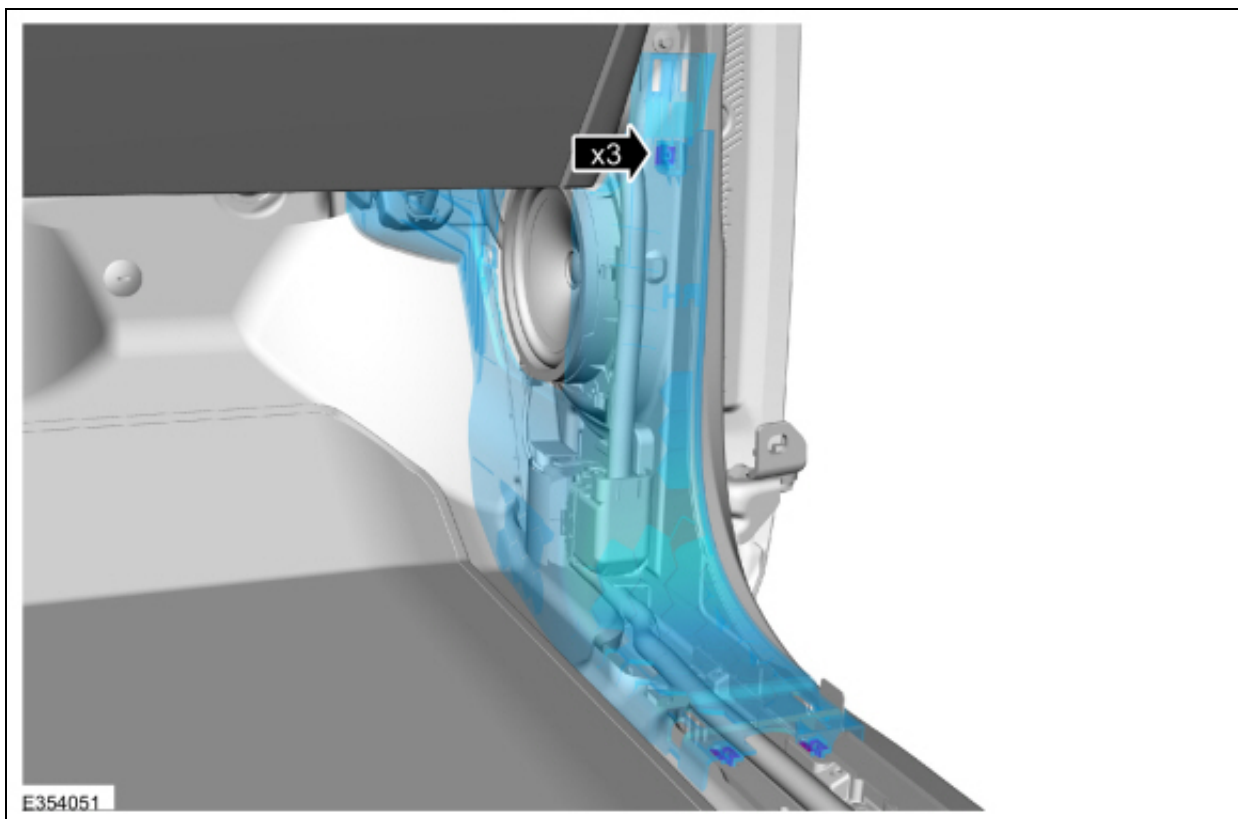


**Right hand lower cowl side panel panel**

- 9. Release the clips and remove the RH A-pillar speaker grille.  
Use the General Equipment: Interior Trim Remover



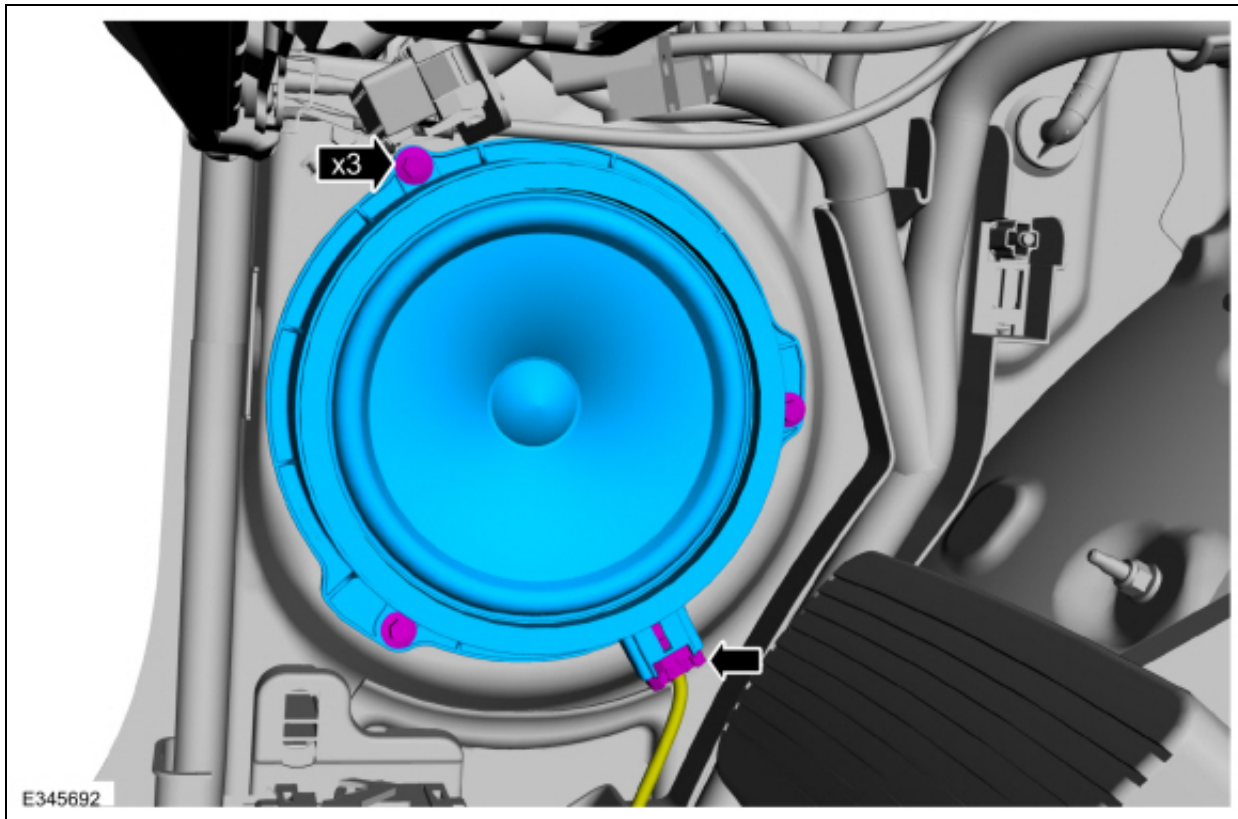
10. Release the clips and remove the RH lower cowl side panel panel.



All vehicles

**NOTE:** Left hand speaker is shown, right hand speaker is similar.

11. Disconnect the electrical connector, remove the screws and the A-pillar speaker.  
Torque: 19 lb.in (2.2 Nm)



## Installation

1. To install, reverse the removal procedure.

© Copyright 2022, Ford Motor Company.