

# Floor Console



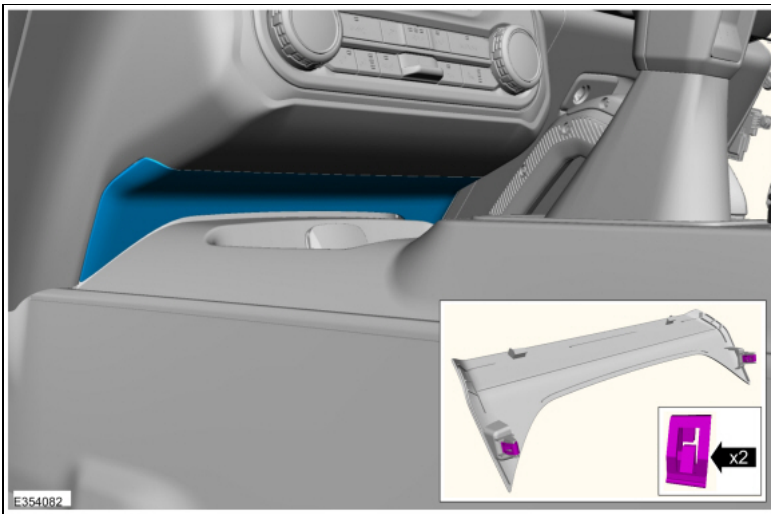
## Special Tool(s) / General Equipment

Interior Trim Remover

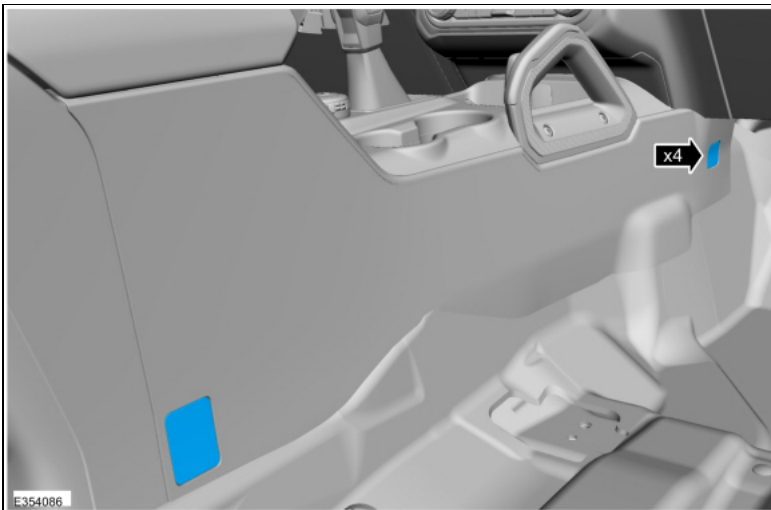
## Removal

**NOTE:** Removal steps in this procedure may contain installation details.

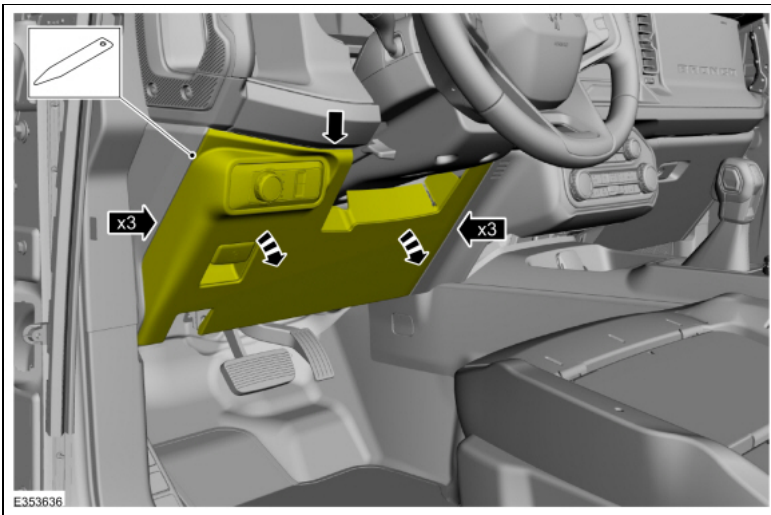
1. Remove the front seats.  
Refer to: Front Seat (501-10A Front Seats, Removal and Installation).
2. Release the retainers and remove the trim panel.



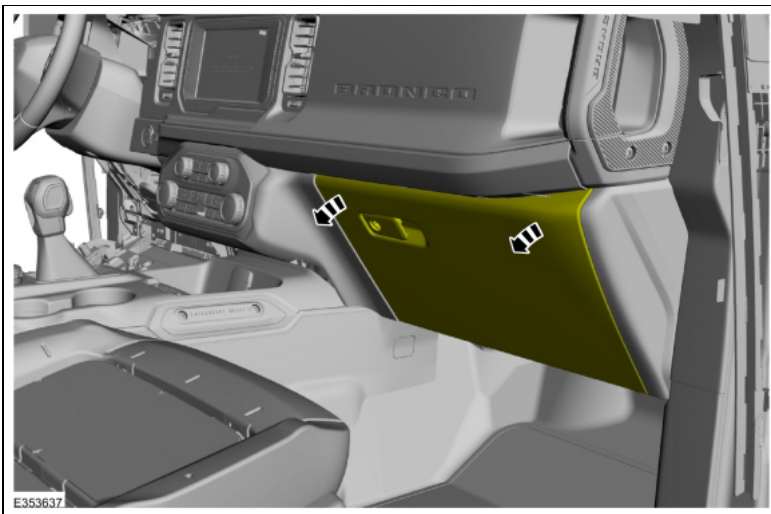
3. Remove the bolt covers.



4. Release the retainers and lower the steering column opening trim panel.  
Use the General Equipment: Interior Trim Remover

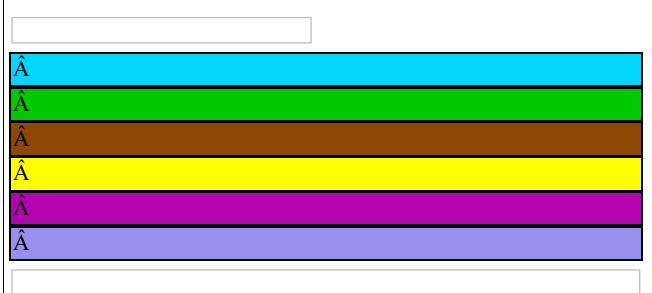
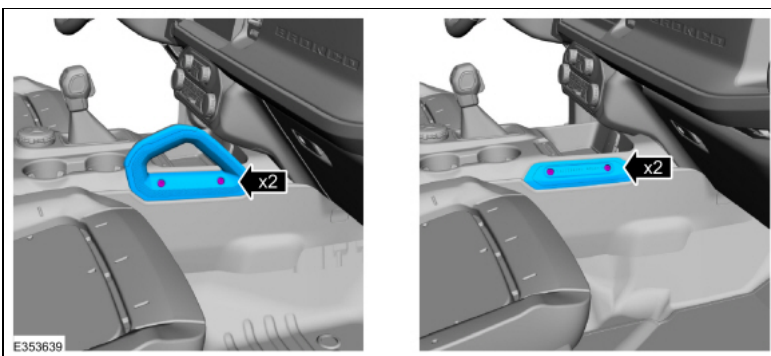


5. Open the glove compartment.



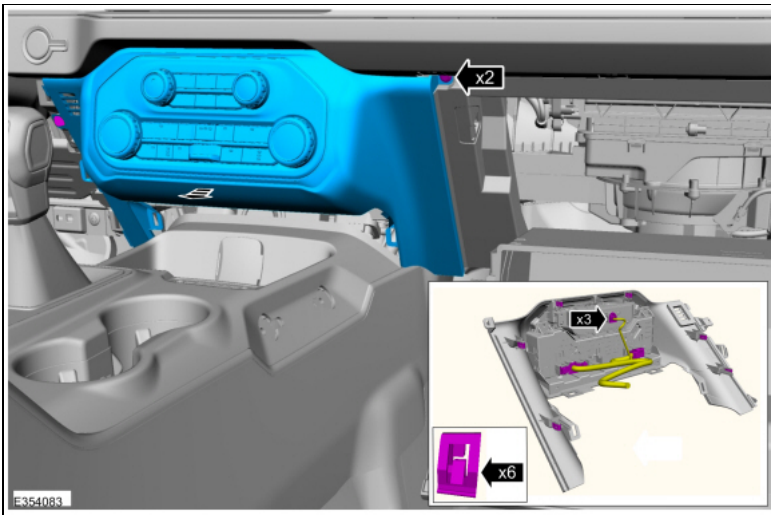
6. **NOTE:** Vehicles not equipped with a handle are equipped with a trim plate. The bolts and trim plate must be removed.

Remove the bolts and the handle or trim plate.

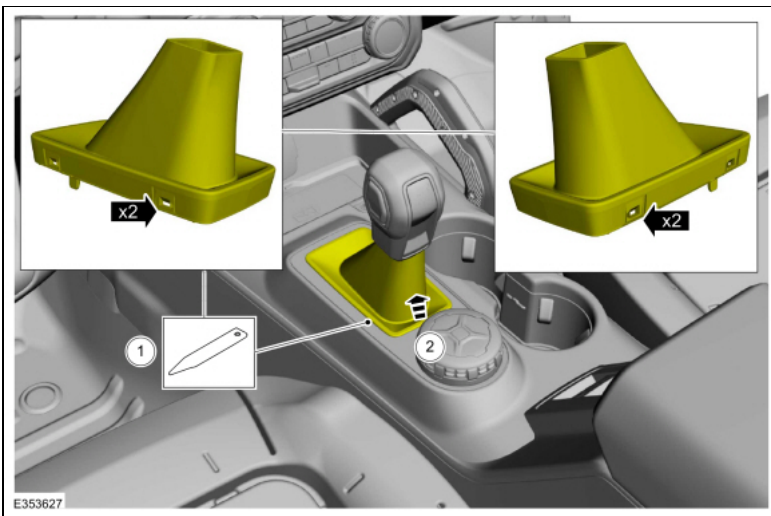


7. Remove the screws, release the retainers and remove the lower instrument panel trim panel.

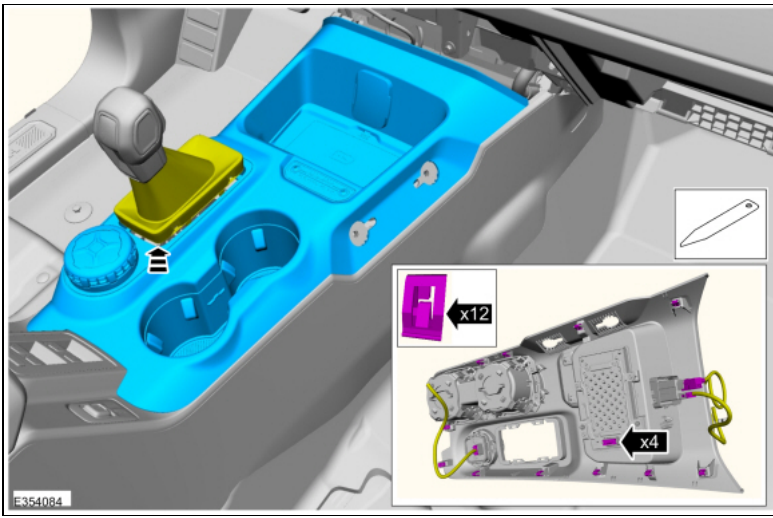
- Disconnect the electrical connectors.



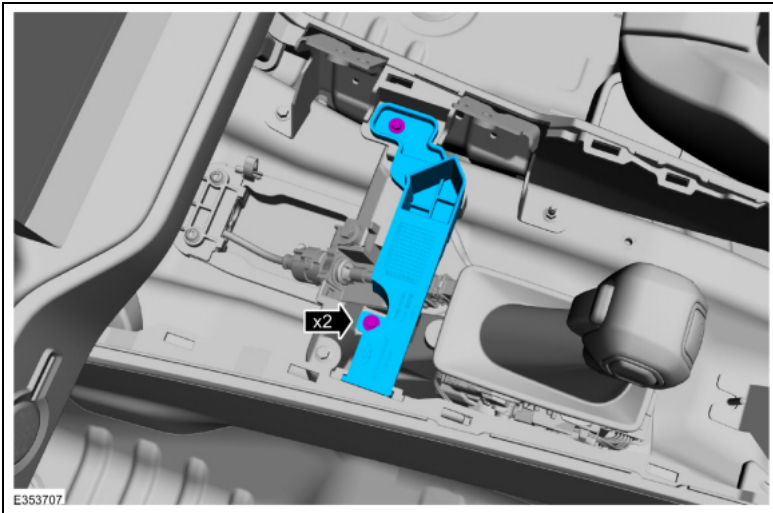
- 8.
1. Insert a trim tool between the selector lever boot and the trim ring to release the retainer tabs from the trim ring.  
Use the General Equipment: Interior Trim Remover
  2. Lift the selector lever boot upwards.



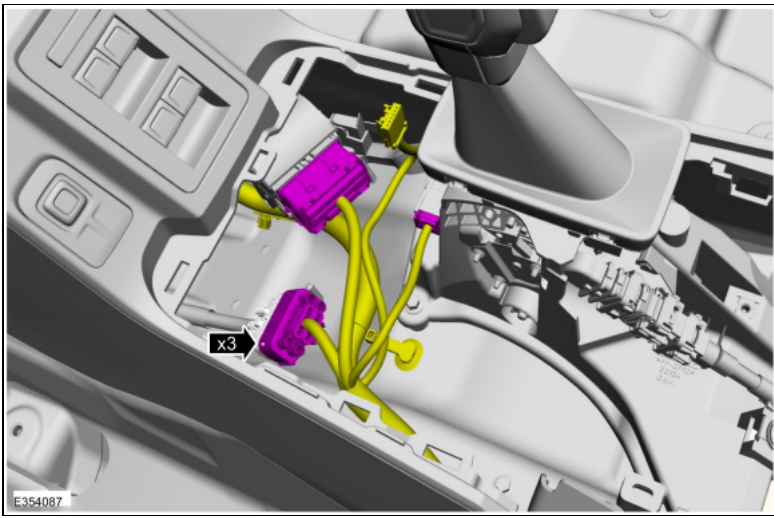
- 9.
- Release the retainers, feed the shift boot through the panel opening, and remove the floor console upper trim panel.
- Disconnect the electrical connectors.
- Use the General Equipment: Interior Trim Remover



10. Remove the bolts and the console reinforcement bracket  
*Torque: 22 lb.in (2.5 Nm)*



11. Disconnect the floor console electrical connectors.

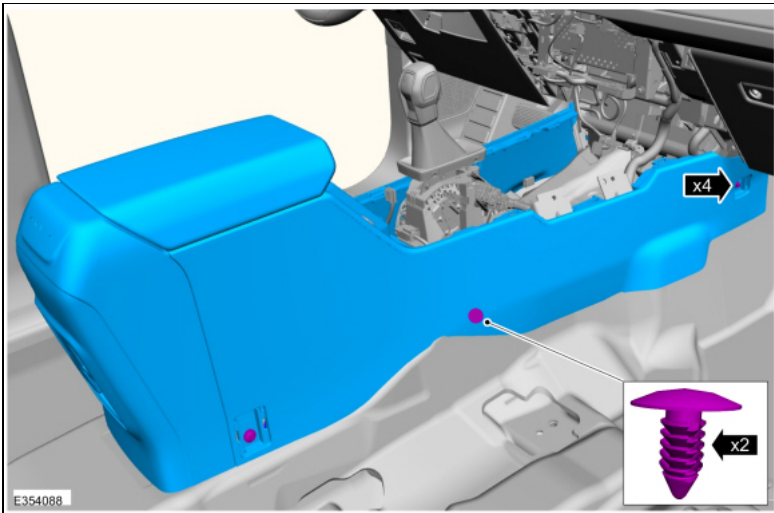


\_\_\_\_\_

Â
Â
Â
Â
Â
Â

\_\_\_\_\_

12. Remove the bolts, release the push pins and remove the floor console.  
*Torque: 48 lb.in (5.4 Nm)*



\_\_\_\_\_

Â
Â
Â
Â
Â
Â

\_\_\_\_\_

**Installation**

1. To install, reverse the removal procedure.