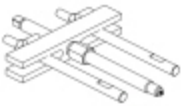
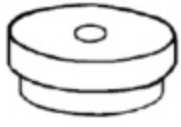
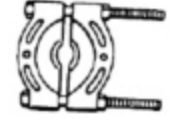


205-02A Rear Drive Axle/Differential
Removal and Installation

2022 - 2023 Bronco
Procedure revision date: 07/17/2025

Electronic Locking Differential (ELD) Solenoid

Special Tool(s) / General Equipment

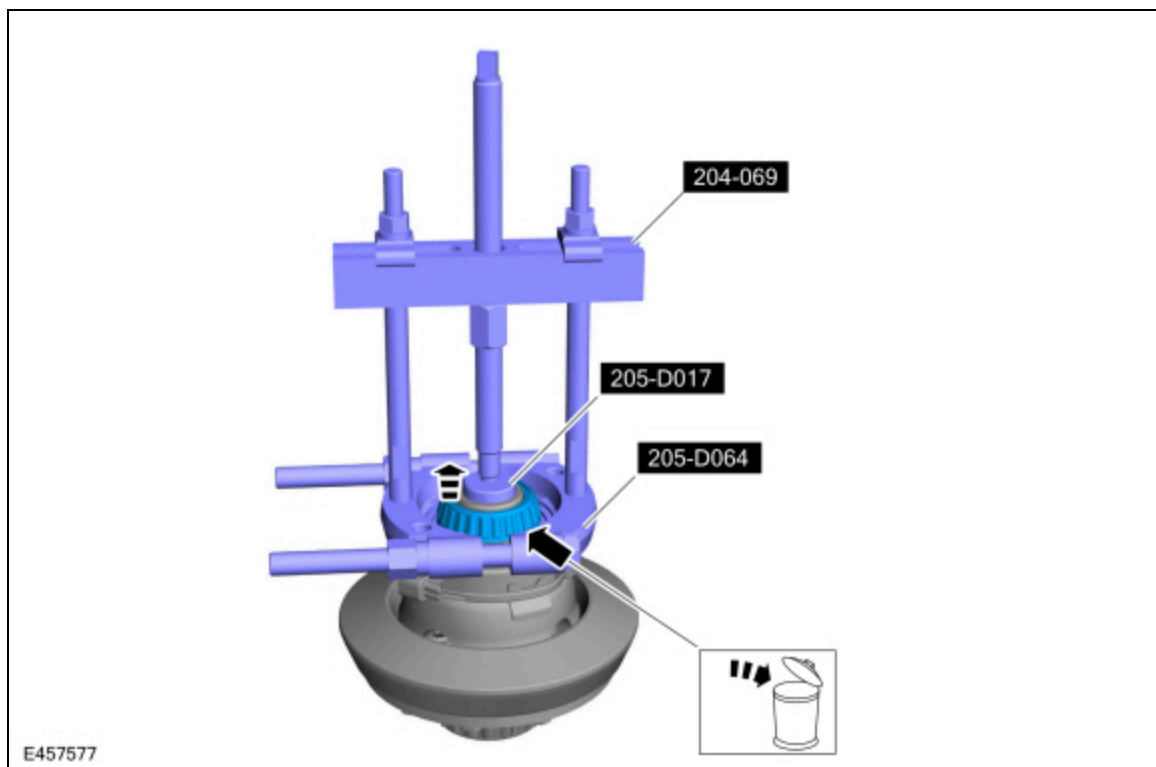
 <p>E318518</p>	<p>204-069-01/1 Adapter for 204-069</p>
	<p>205-D017 (D80L-630-6) Step Plate, Universal</p>
	<p>205-D064 (D84L-1123-A) Puller, Bearing</p>
<p>Hydraulic Press</p>	

Removal

⚠ WARNING: The engine stand is equipped with a self-lock mechanism, however, if the rear differential is tilted, the self-lock mechanism could become inoperative. If the rear differential unexpectedly rotates, it could cause injury, therefore do not maintain the rear differential tilted. When turning the rear differential, grasp the rotation handle firmly.

NOTE: Removal steps in this procedure may contain installation details.

1. Remove the differential carrier.
Refer to: [Differential Carrier](#) (205-02A Rear Drive Axle/Differential, Removal and Installation).
2. Using the special tools and the general equipment, remove and discard the differential side bearing.
Use Special Service Tool: [204-069-01/1 Adapter for 204-069.](#) , [205-D017 \(D80L-630-6\) Step Plate, Universal.](#) , [205-D064 \(D84L-1123-A\) Puller, Bearing.](#)
Use the General Equipment: Hydraulic Press

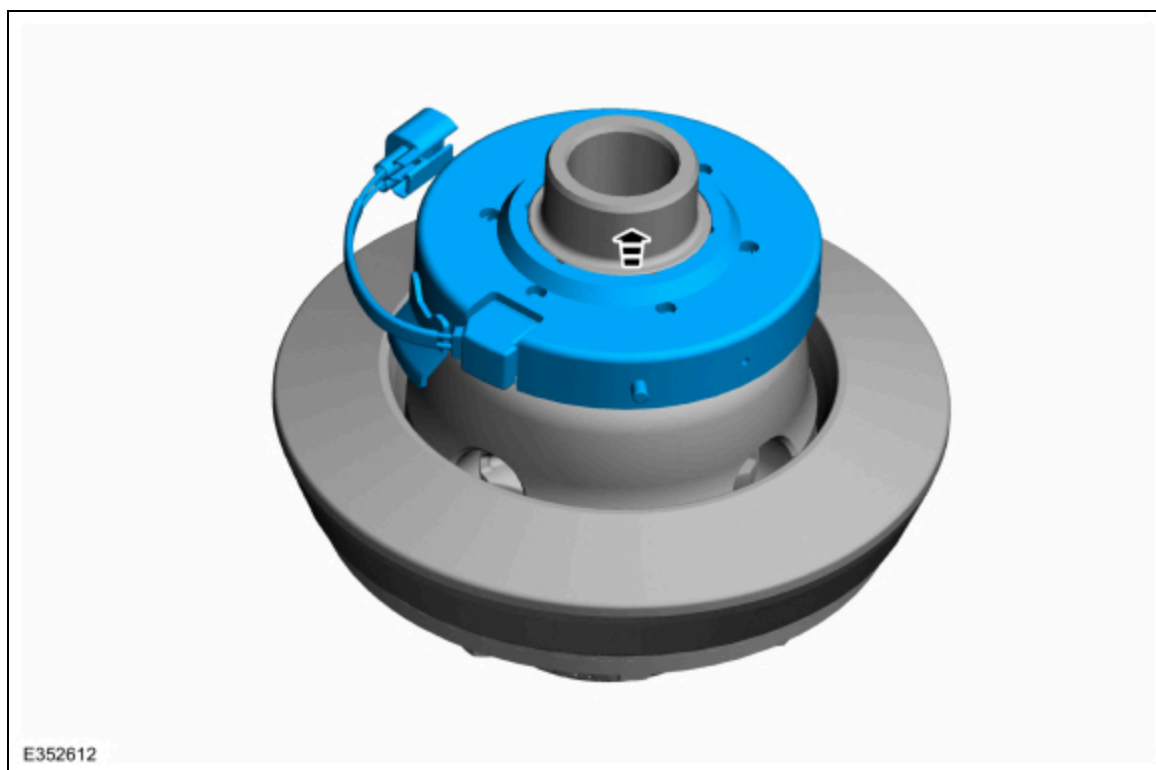


3. **NOTICE:** Take extra care not to damage the component.

NOTE: Note the orientation of ELD in the differential carrier housing during removal.

NOTE: Make sure the ELD is oriented in the differential carrier housing during installation.

Remove the locking plate and the ELD solenoid.



4. Clean and inspect the ELD solenoid.



Installation

1. To install, reverse the removal procedure.
2. Check the differential ring gear backlash.
Refer to: [Ring Gear Backlash Adjustment](#) (205-02A Rear Drive Axle/Differential, General Procedures).

© Copyright 2025, Ford Motor Company.