

Audio Digital Signal Processing (DSP) Module



Removal

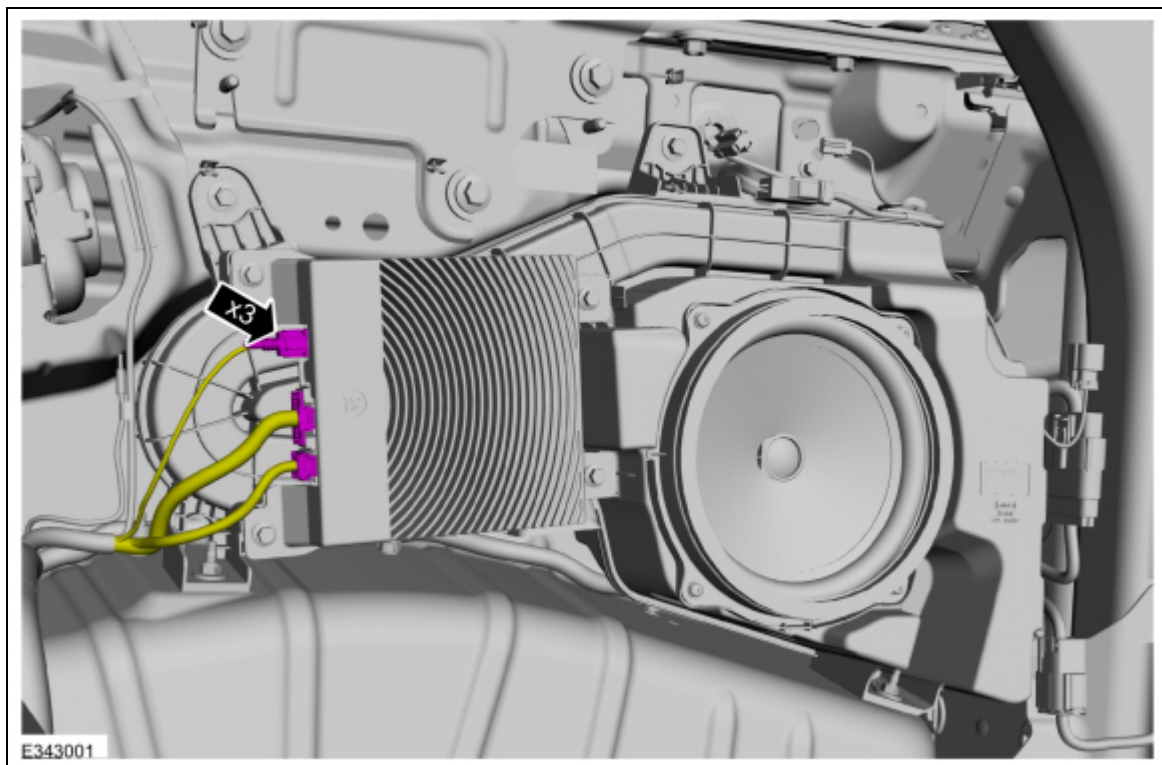
NOTE: Removal steps in this procedure may contain installation details.

NOTE: The 5-door audio digital signal processing (DSP) module is shown, the 3-door audio digital signal processing (DSP) module is similar.

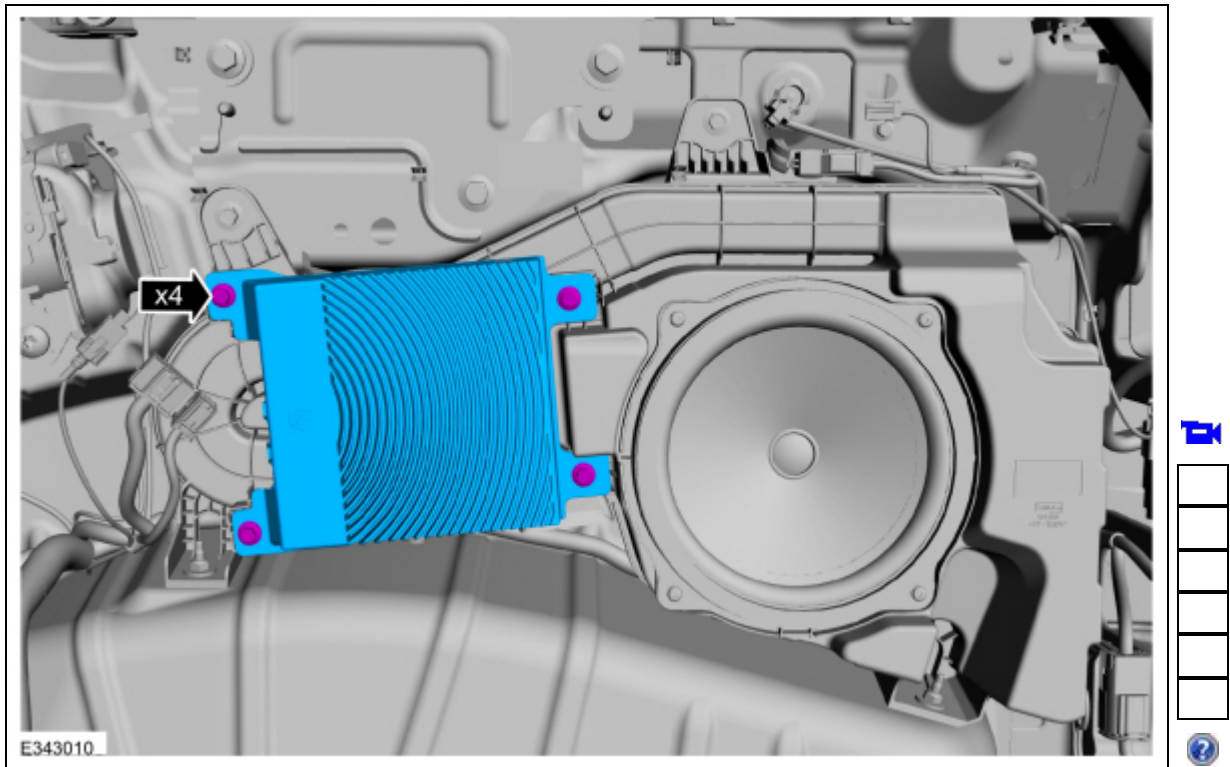
1. **NOTE:** If installing a new module, it is necessary to upload the module configuration information to the scan tool prior to removing the module. This information must be downloaded into the new module after installation.

Using a diagnostic scan tool, begin the PMI process for the DSP following the on-screen instructions.

2. Remove the RH loadspace trim panel.
Refer to: [Loadspace Trim Panel - 3-Door](#) (501-05 Interior Trim and Ornamentation, Removal and Installation).
Refer to: [Loadspace Trim Panel - 5-Door](#) (501-05 Interior Trim and Ornamentation, Removal and Installation).
3. Disconnect the DSP electrical connectors.



4. Remove the bolts and the DSP.
Torque: 22 lb.in (2.5 Nm)



Installation

1. To install, reverse the removal procedure.
2. **NOTE:** *This step is only necessary when installing a new component.*

Using a diagnostic scan tool, complete the PMI process for the DSP following the on-screen instructions.

© Copyright 2021, Ford Motor Company.