

Instrument Panel Speaker



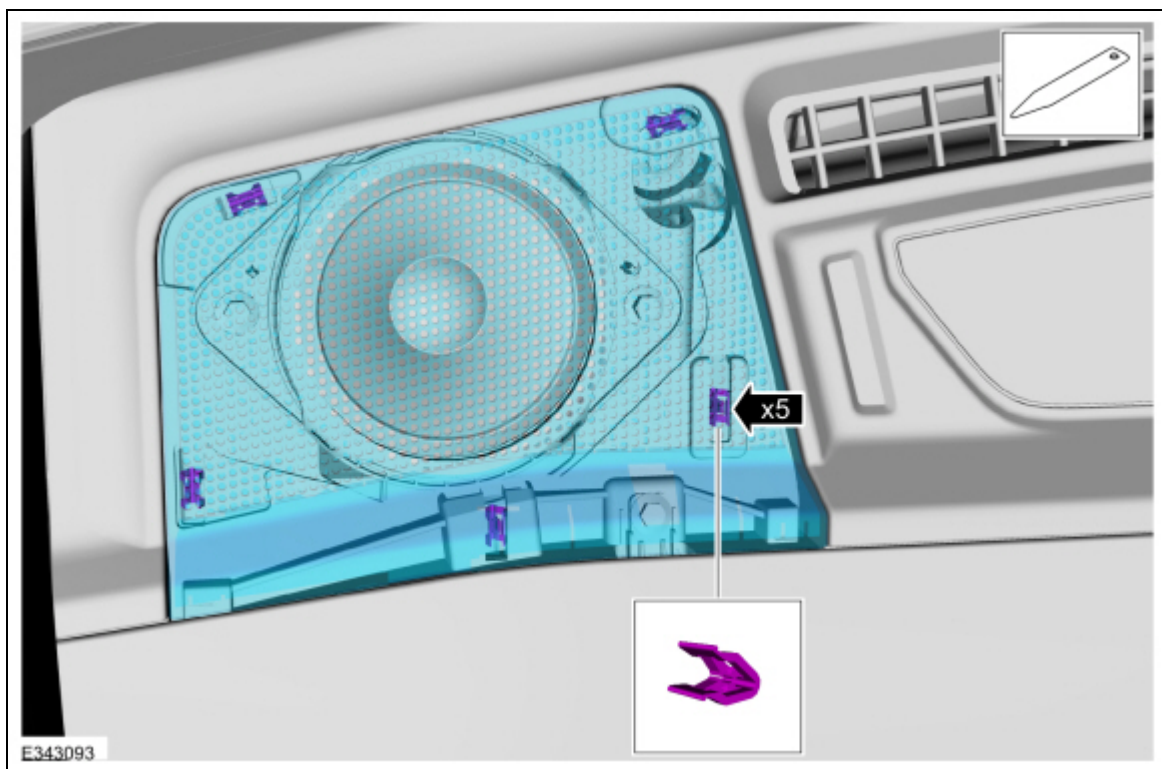
Special Tool(s) / General Equipment

Interior Trim Remover

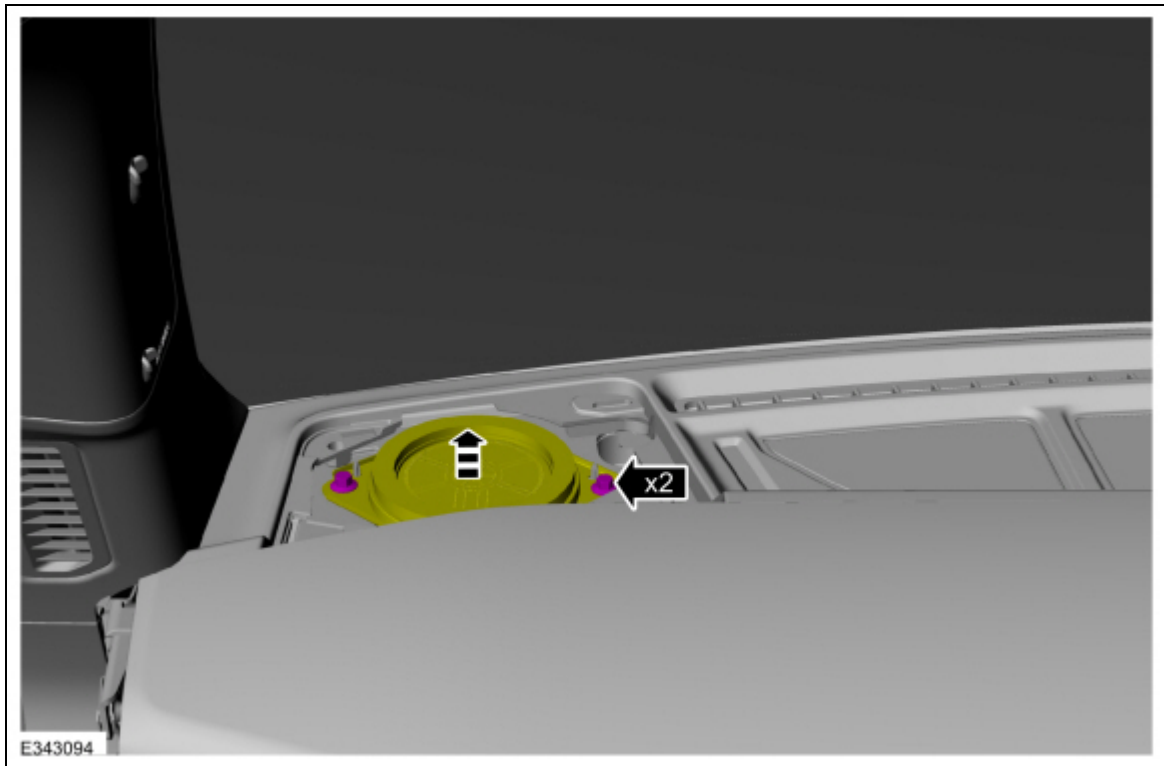
Removal

NOTE: Left hand instrument speaker shown, right hand instrument panel speaker is similar.

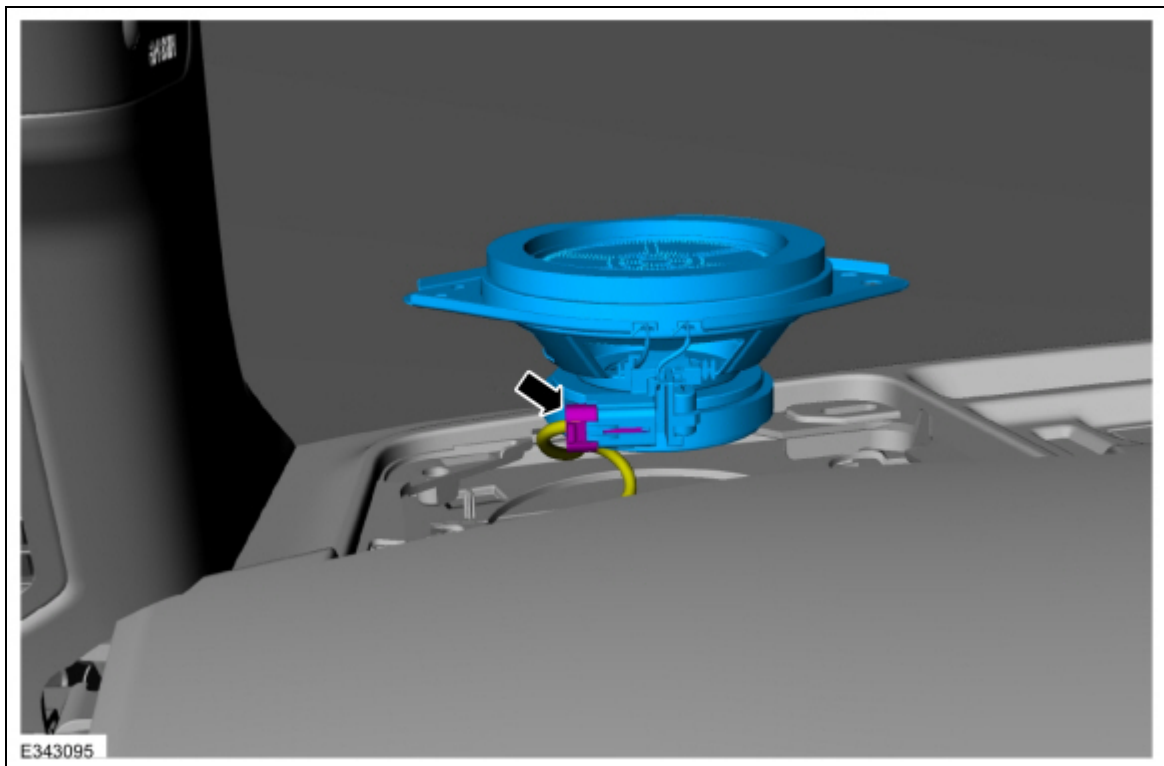
1. Release the clips and remove the instrument panel speaker grille.
Use the General Equipment: Interior Trim Remover



2. Remove the screws and position the instrument panel speaker.
Torque: 19 lb.in (2.2 Nm)



3. Disconnect the electrical connector and remove the instrument panel speaker.



Installation

1. To install, reverse the removal procedure.

© Copyright 2021, Ford Motor Company.

