

Center Display Screen

Removal

⚠️ WARNING: The following procedure prescribes critical repair steps required for correct restraint system operation during a crash. Follow all notes and steps carefully. Failure to follow step instructions may result in incorrect operation of the restraint system and increases the risk of serious personal injury or death in a crash.

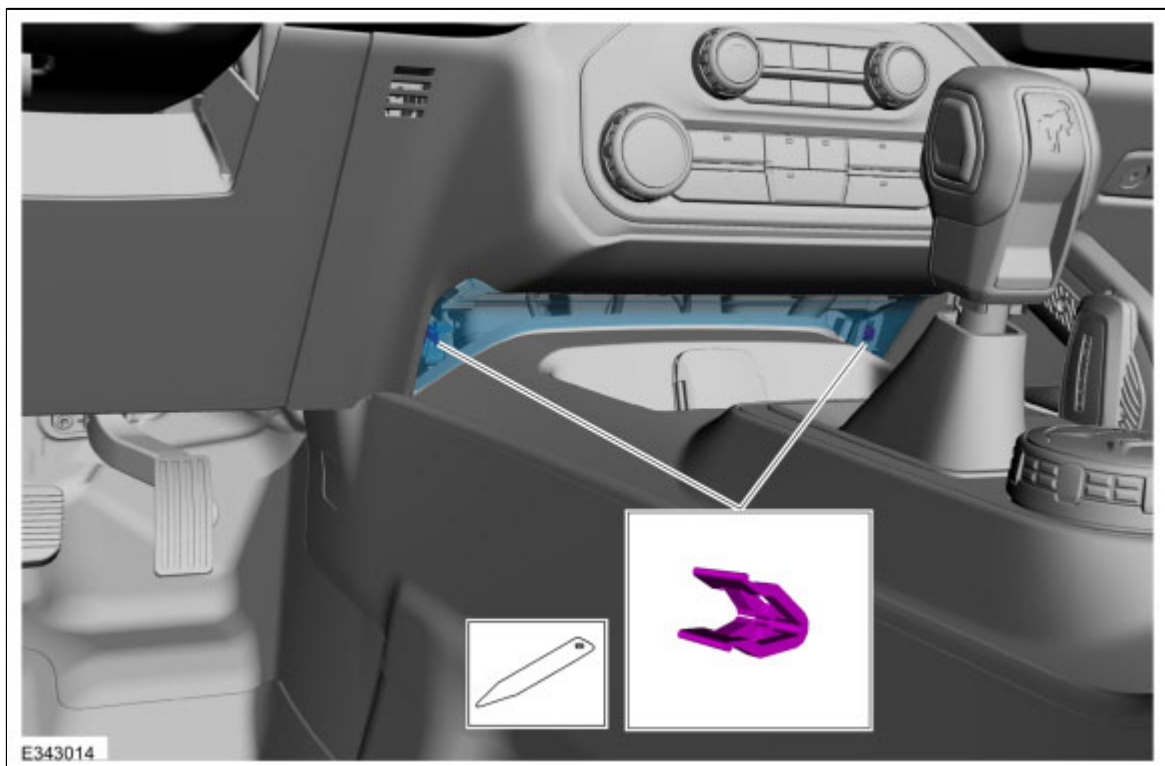
NOTE: Removal steps in this procedure may contain installation details.

All vehicles

1. **⚠️ WARNING:** Before beginning any service procedure in this manual, refer to health and safety warnings in section 100-00 General Information. Failure to follow this instruction may result in serious personal injury.

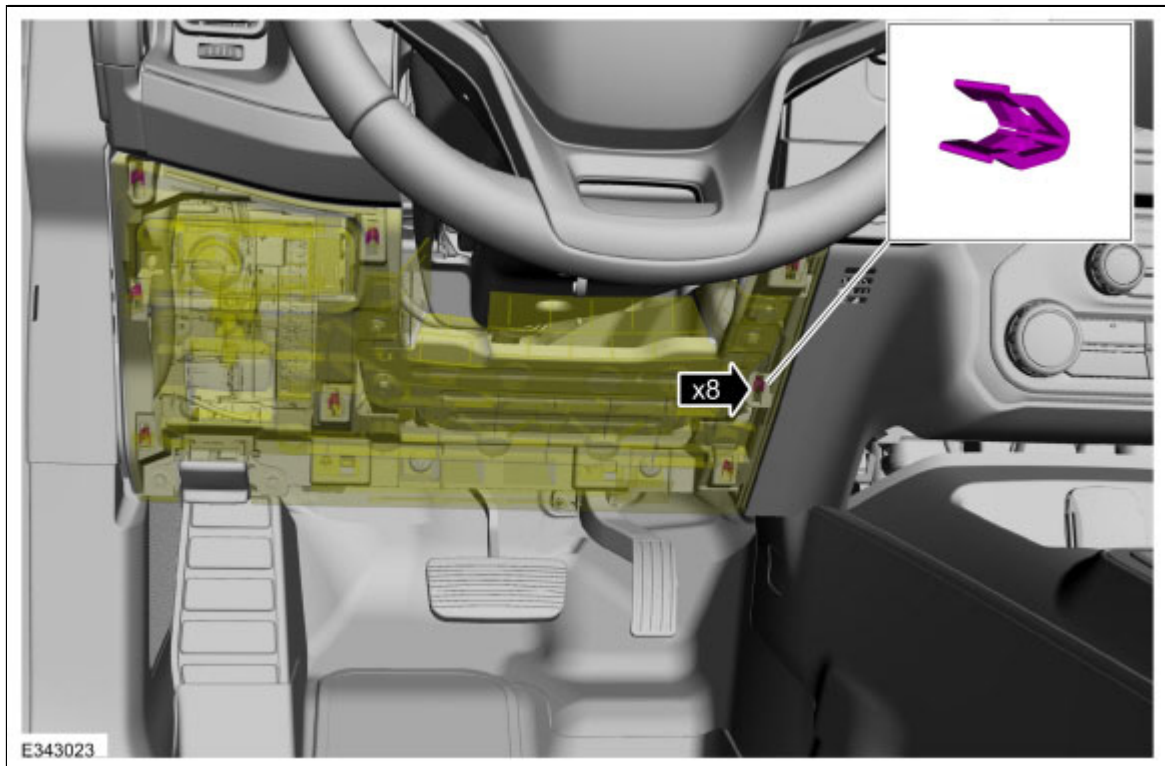
Refer to: Pyrotechnic Device Health and Safety Precautions

2. Depower the SRS.
Refer to: [Supplemental Restraint System \(SRS\) Depowering](#) (501-20B Supplemental Restraint System, General Procedures).
3. Release the clips and remove the lower instrument trim panel.
Use the General Equipment: Interior Trim Remover

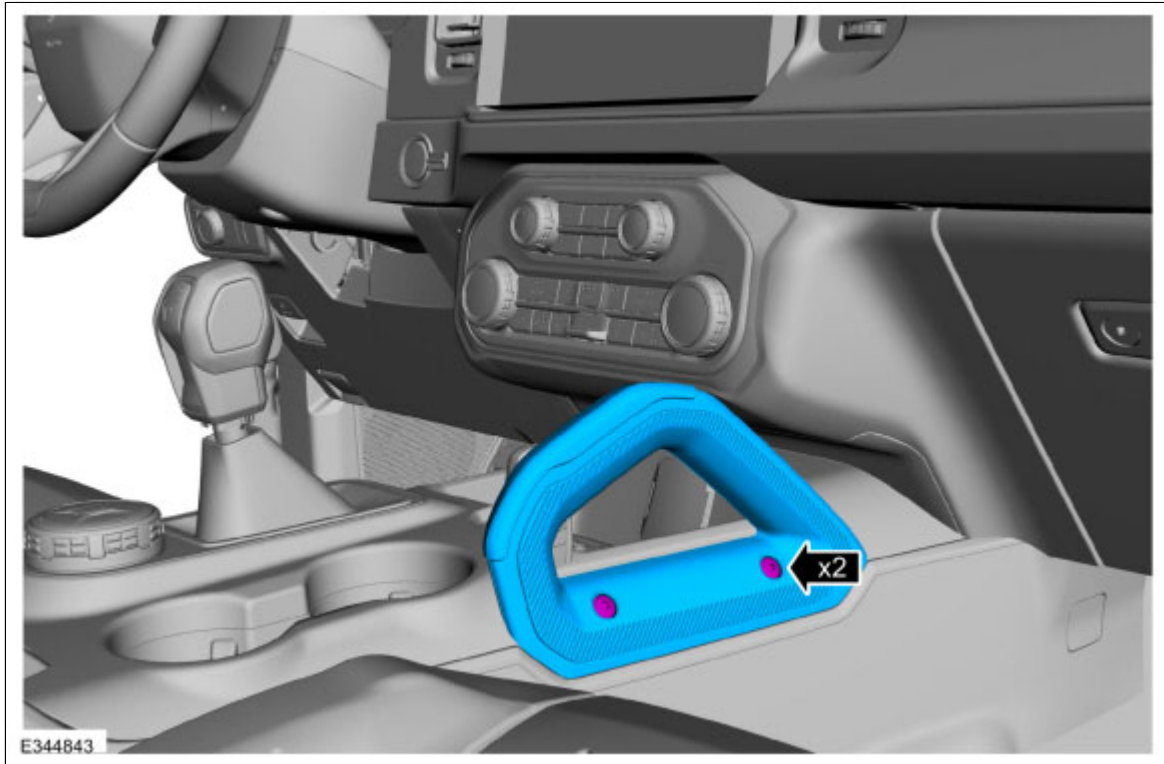




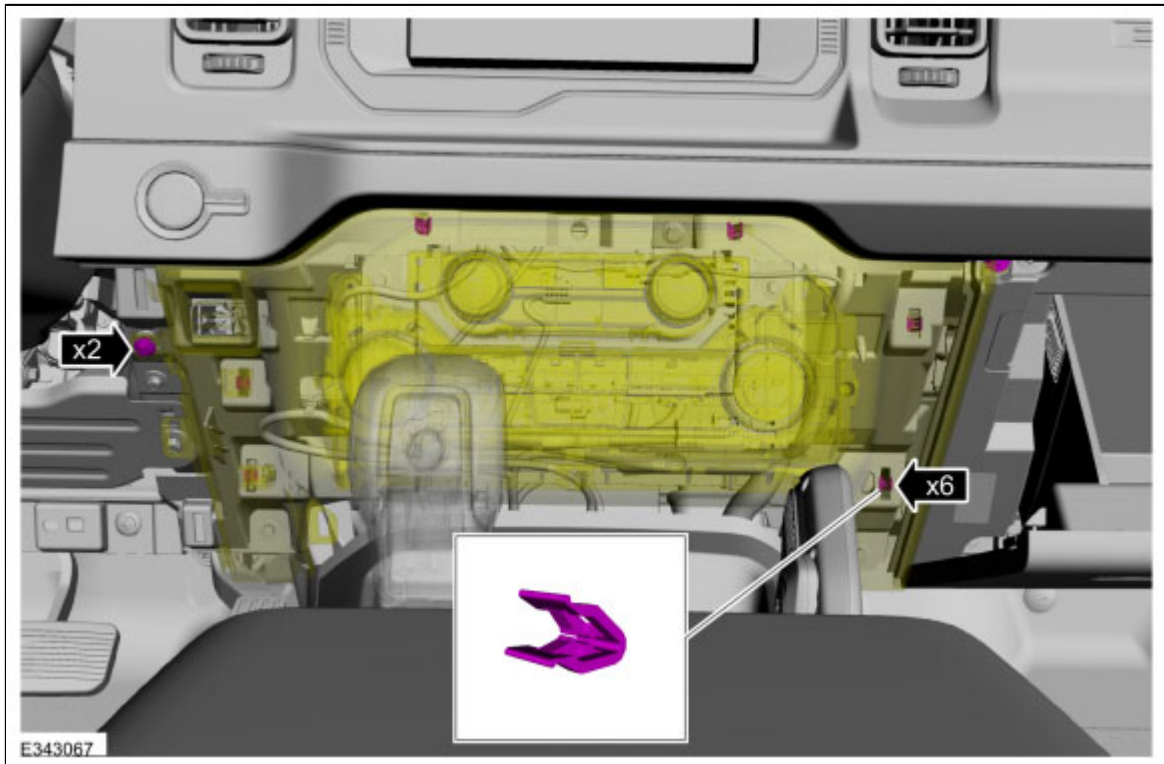
4. Release the clips and position the lower steering column closeout panel down.



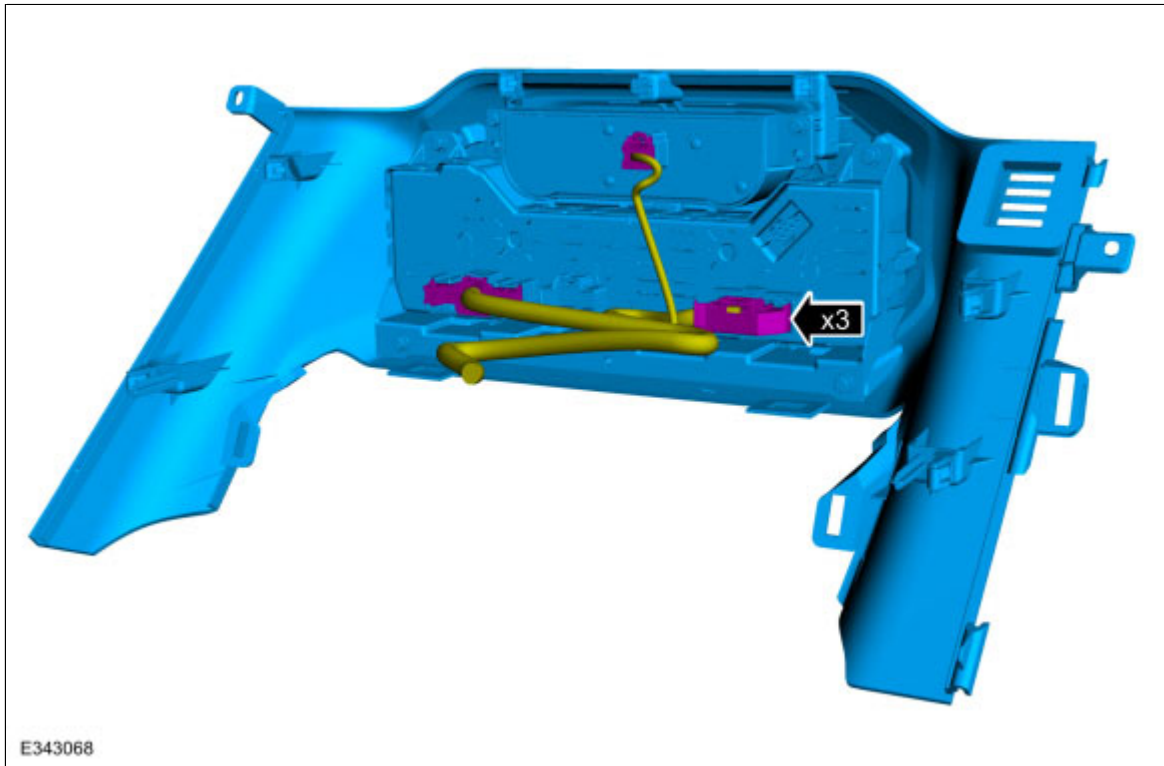
5. Remove the glove compartment.
Refer to: [Glove Compartment](#) (501-12 Instrument Panel and Console, Removal and Installation).
6. If equipped.
Remove the screws and the console handle.
Torque : 48 lb.in (5.4 Nm)



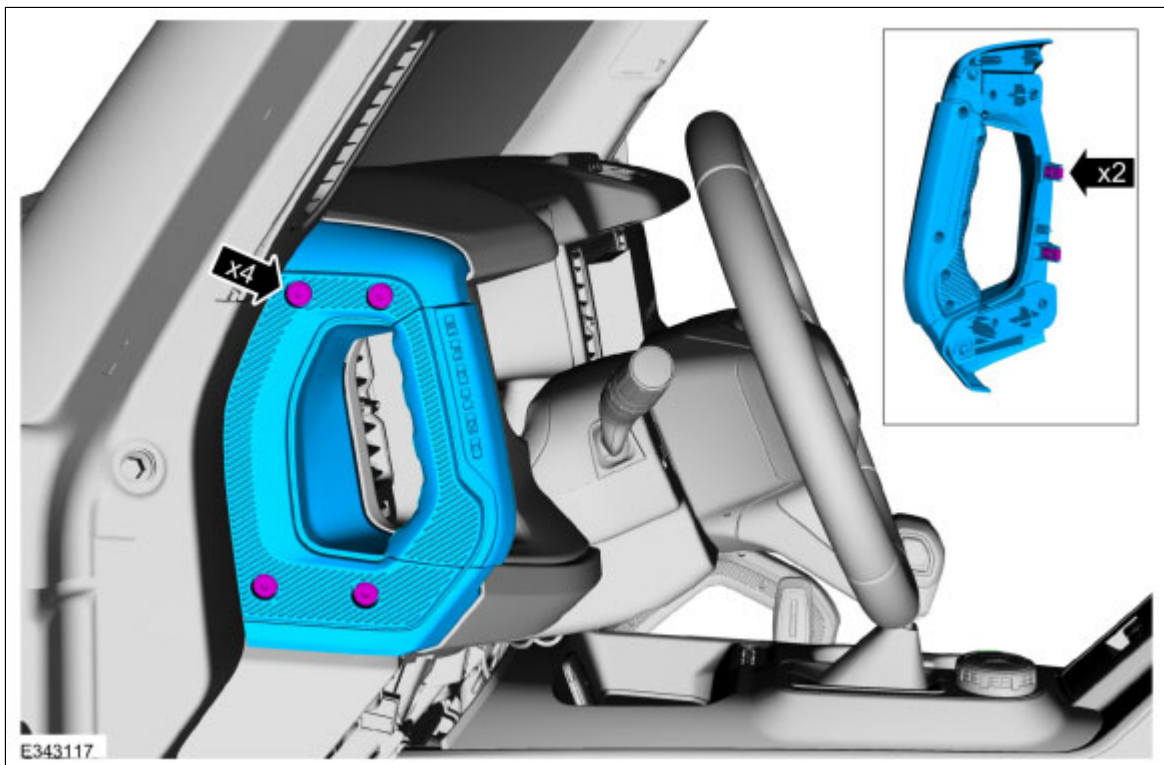
7. Remove the screws, release the clips and position the lower center instrument panel trim panel.



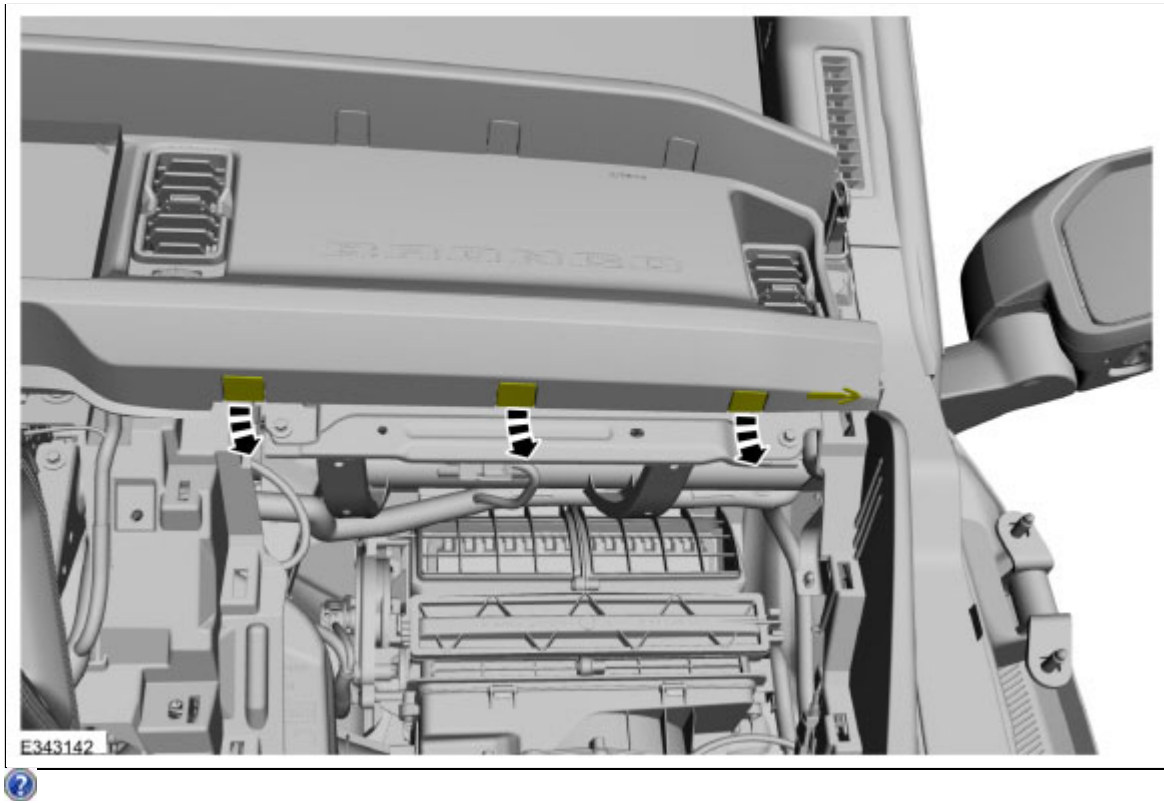
8. Disconnect the electrical connectors and remove the lower center instrument panel trim panel.



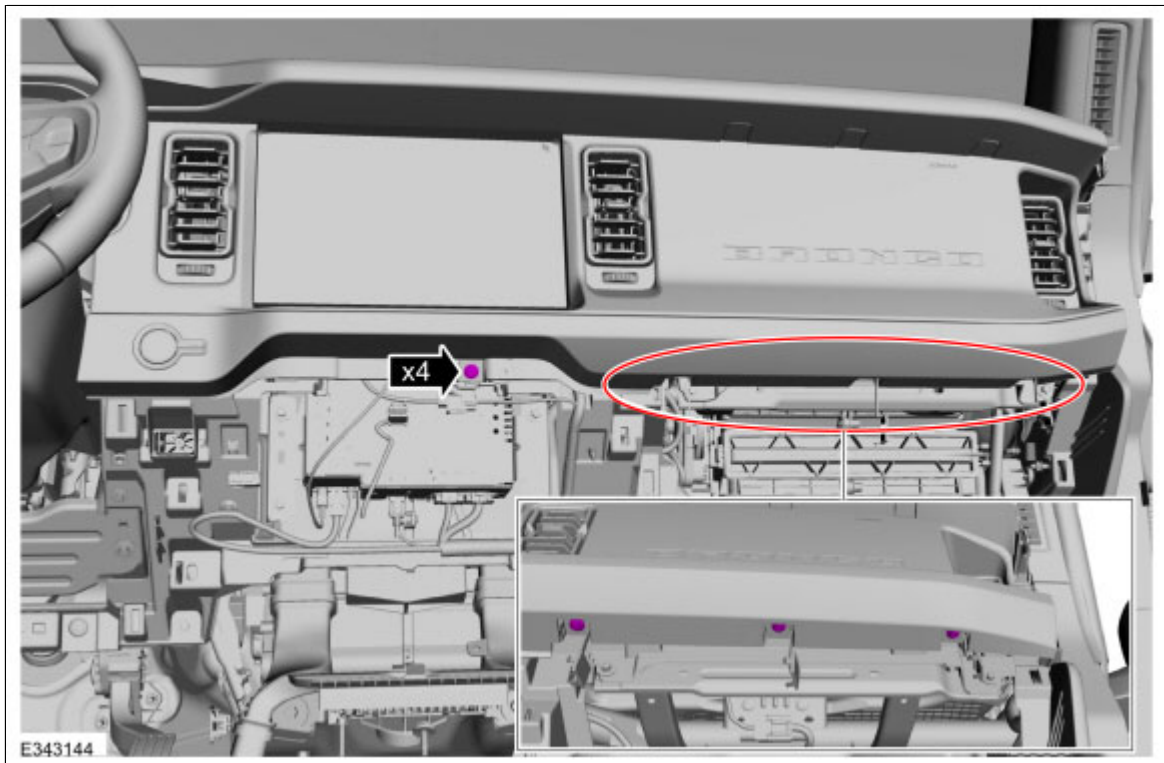
9. On both sides.
Remove the screws, release the clips and remove the assist handle.
Torque : 80 lb.in (9 Nm)



10. Position the bolt covers.

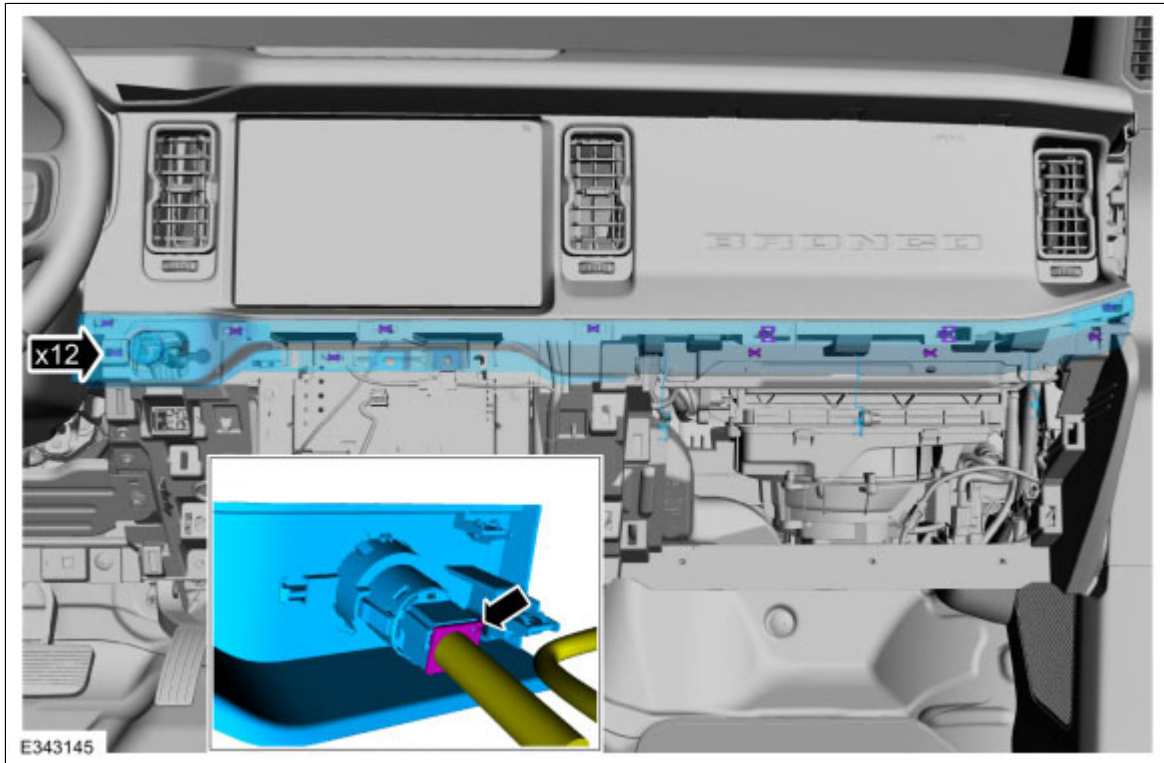


11. Remove the bolts.
Torque : 22 lb.in (2.5 Nm)

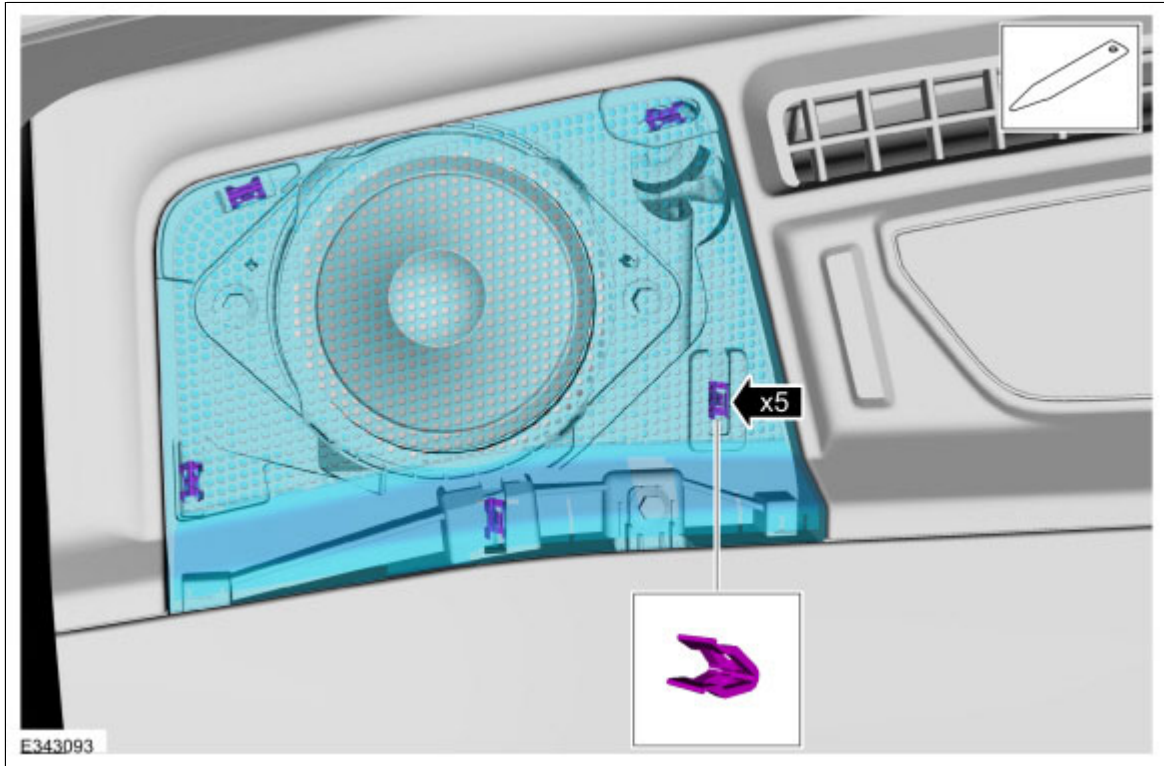




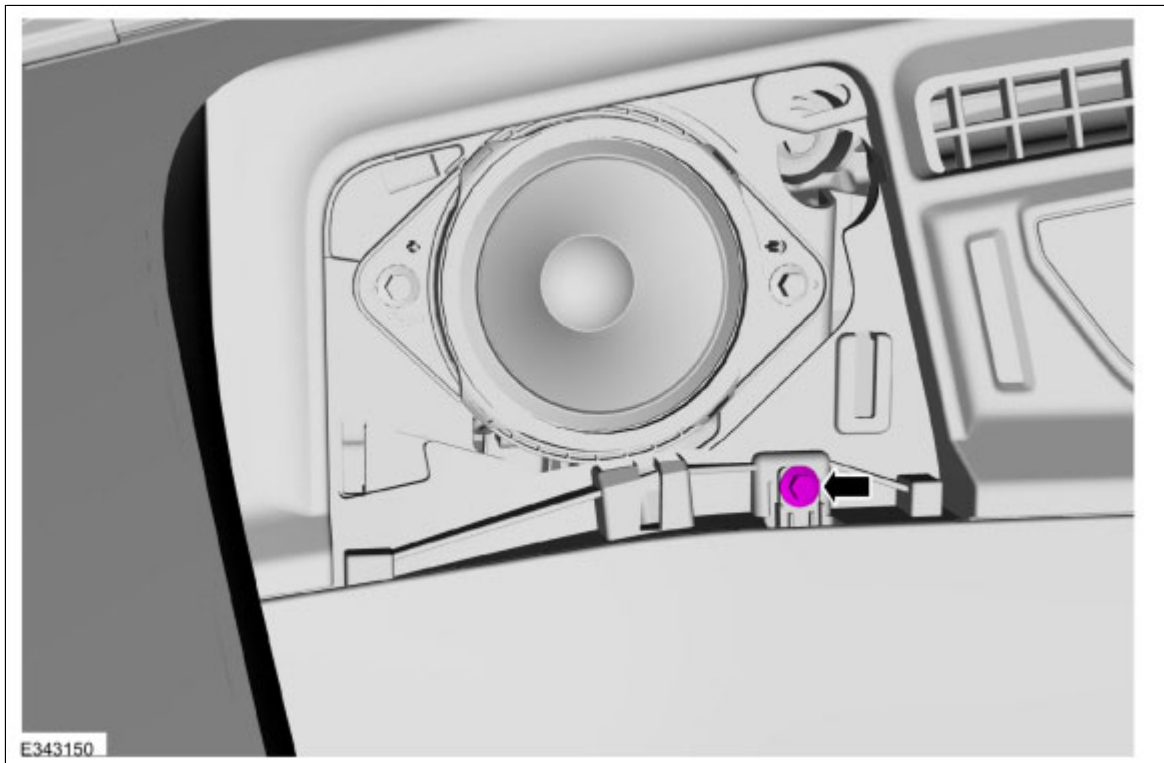
12. Release the clips and remove the lower instrument panel trim panel.
- Disconnect the electrical connector.



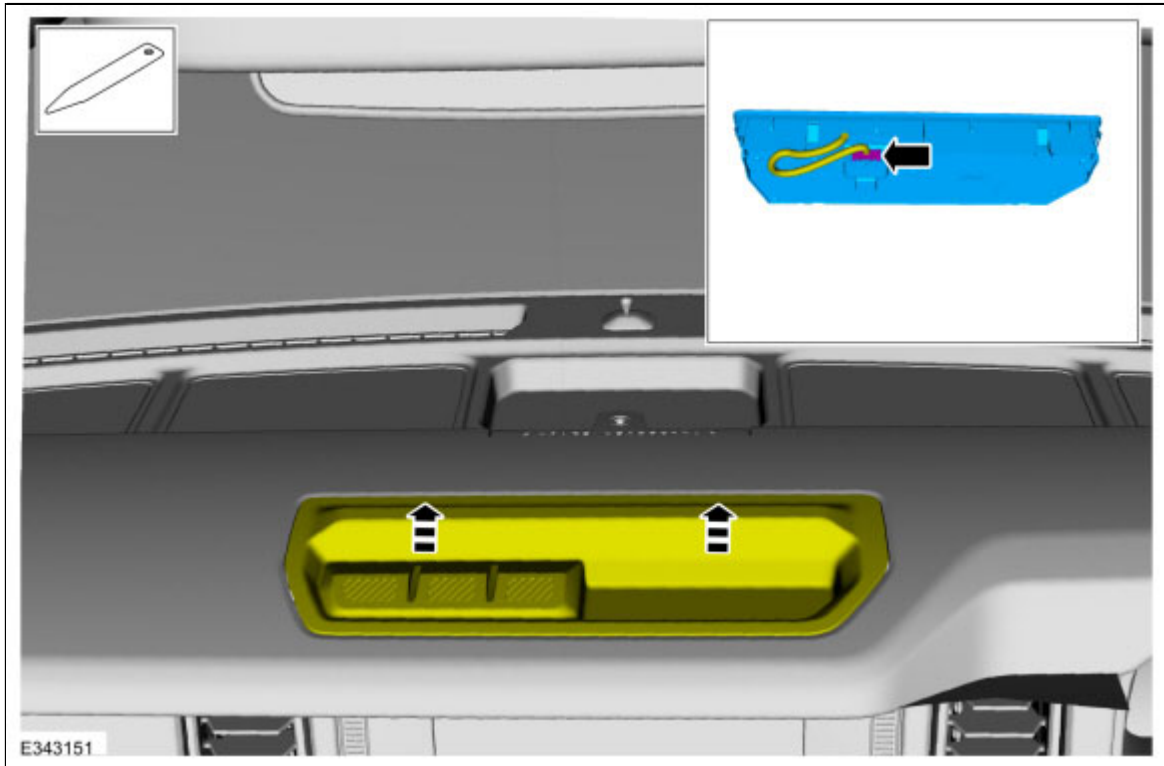
13. On both sides.
Release the clips and remove the instrument panel speaker grille.
Use the General Equipment: Interior Trim Remover



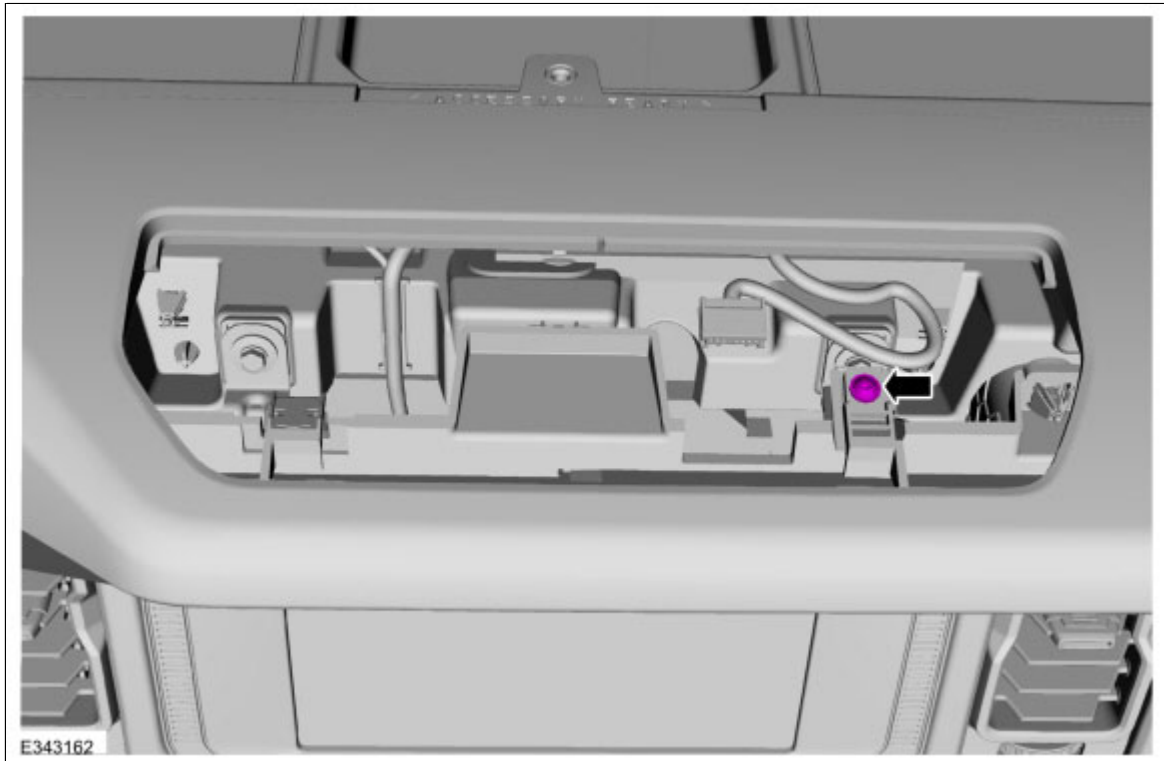
14. On both sides.
Remove the bolt.
Torque : 22 lb.in (2.5 Nm)



15. Position the instrument panel switch pack up, disconnect the electrical connector and remove the switch pack.

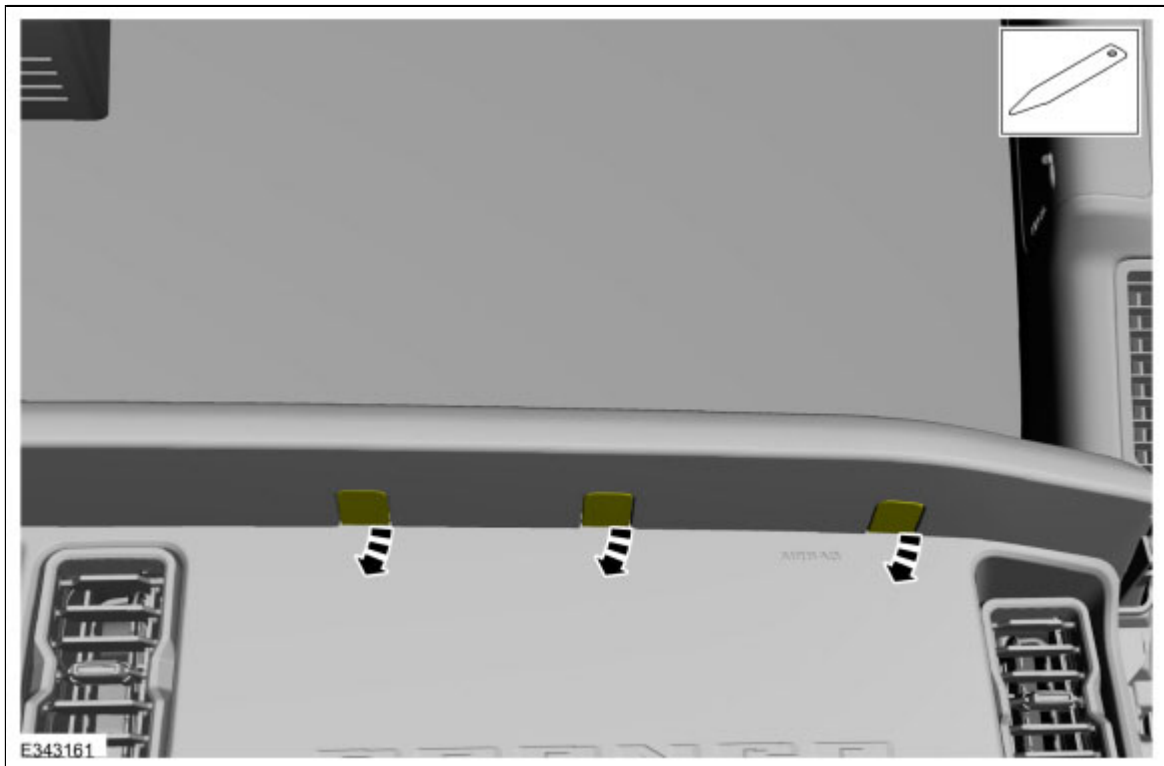


16. Remove the screw.

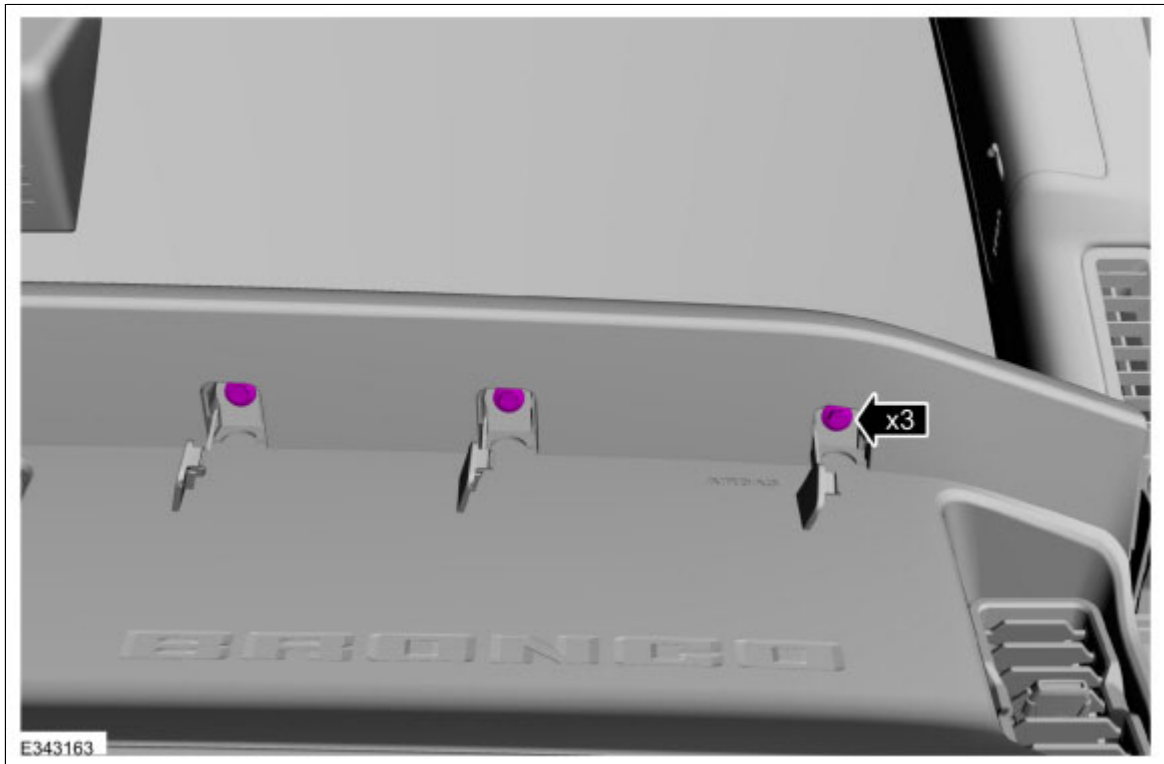




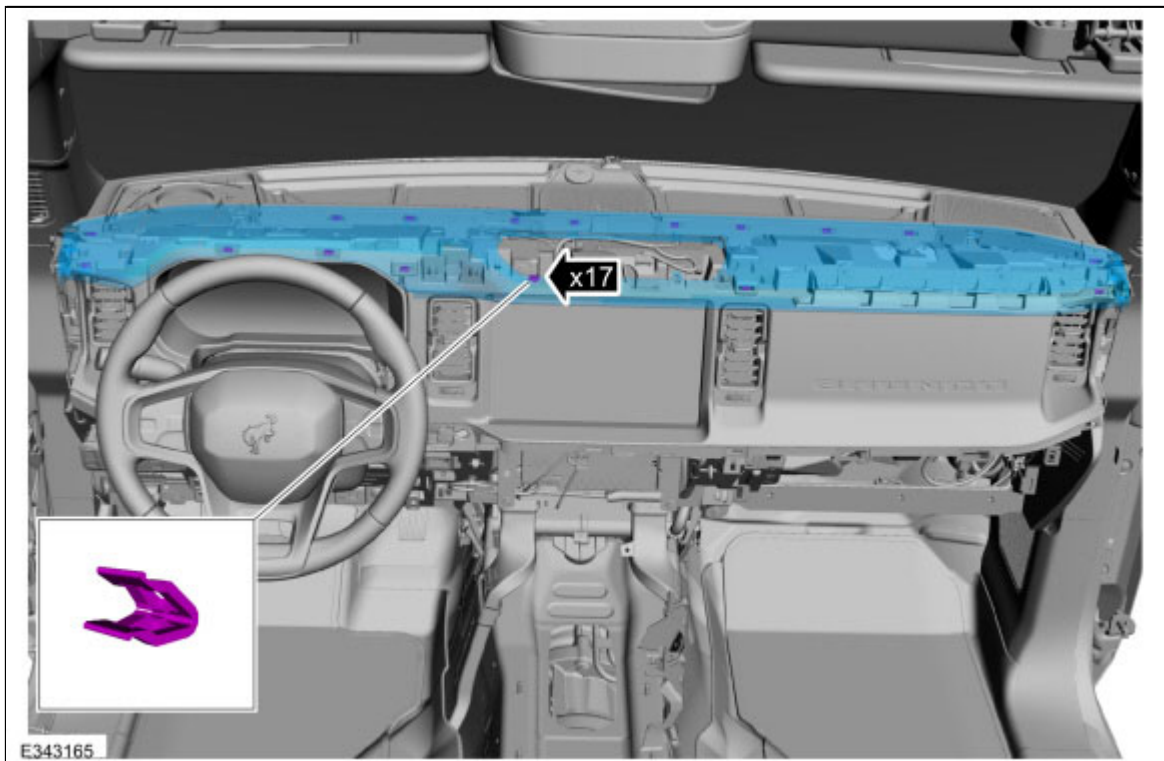
17. Position the screw covers.



18. Remove the screws.
Torque : 22 lb.in (2.5 Nm)

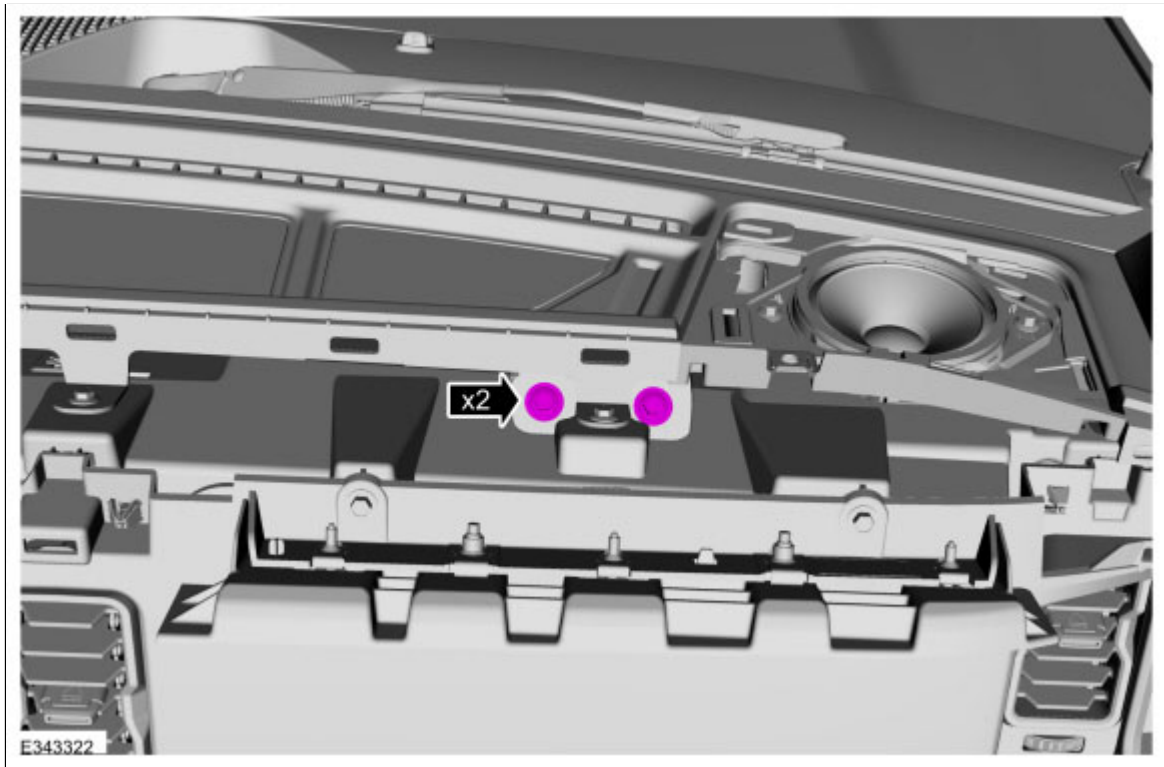


19. Release the clips and remove the upper instrument trim panel.

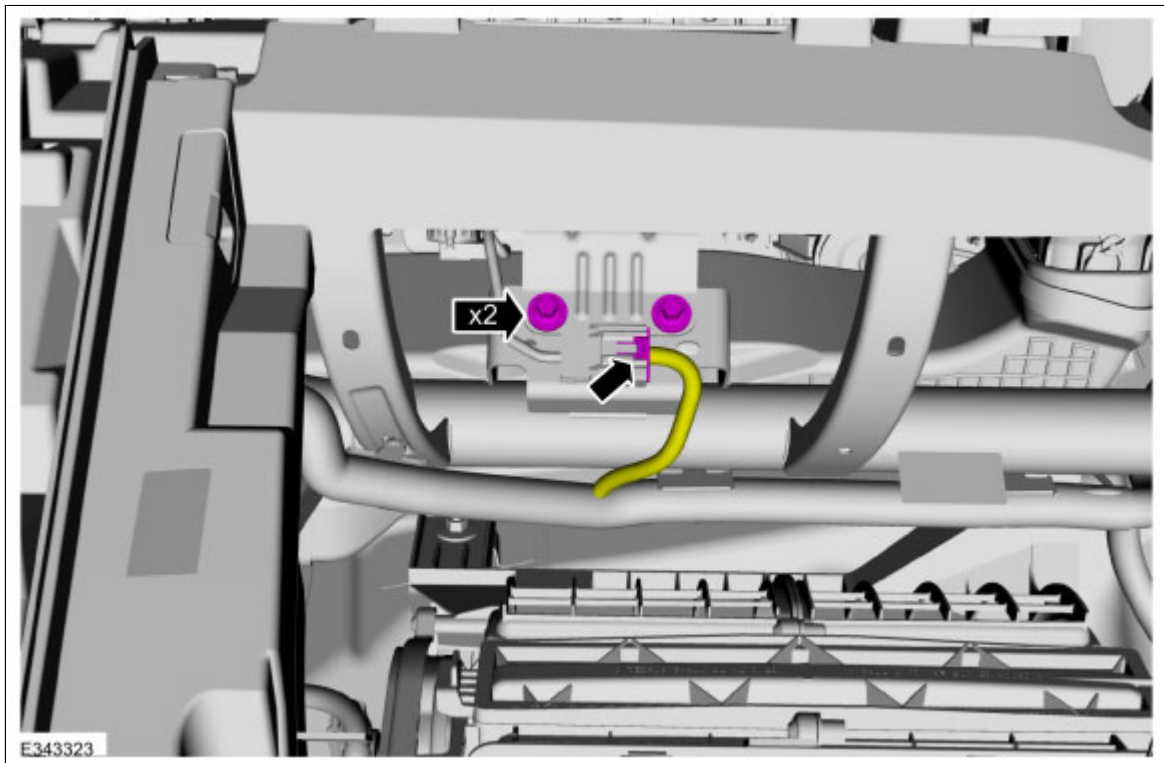


20. Remove the upper passenger side air bag bracket bolts.

Torque : 93 lb.in (10.5 Nm)

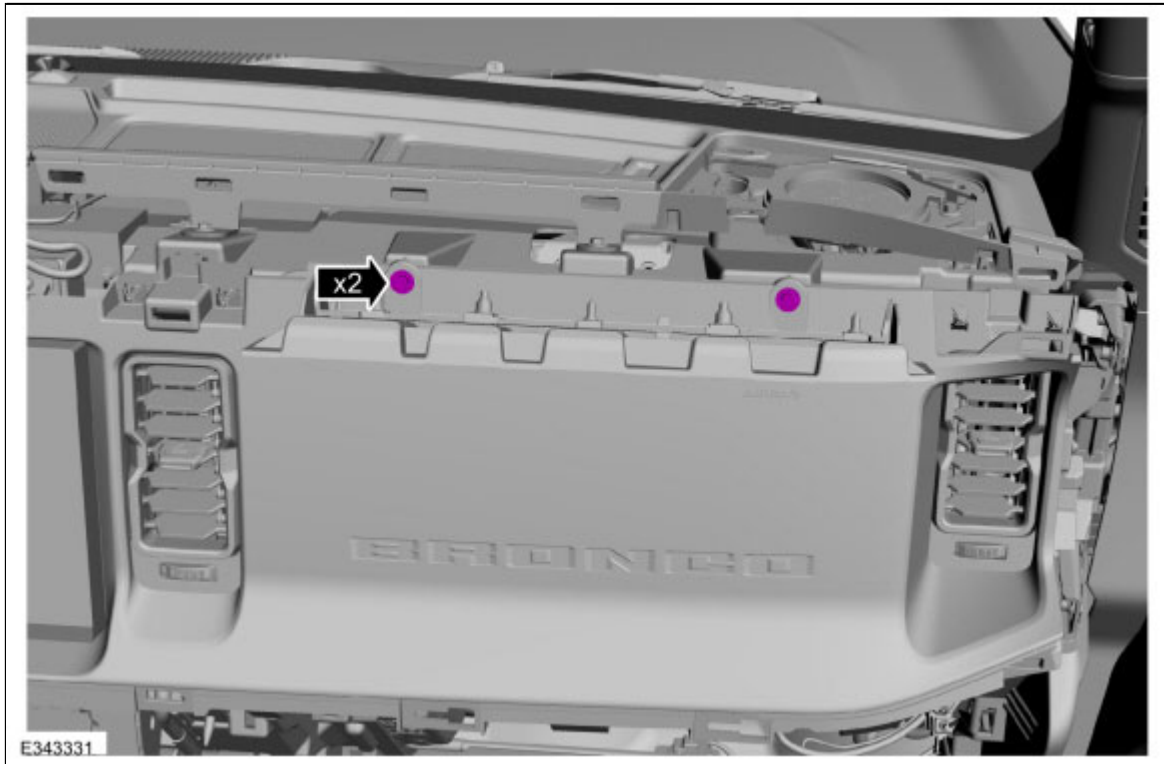


21. Disconnect the electrical connector and remove the lower passenger side air bag bracket bolts.
Torque : 93 lb.in (10.5 Nm)

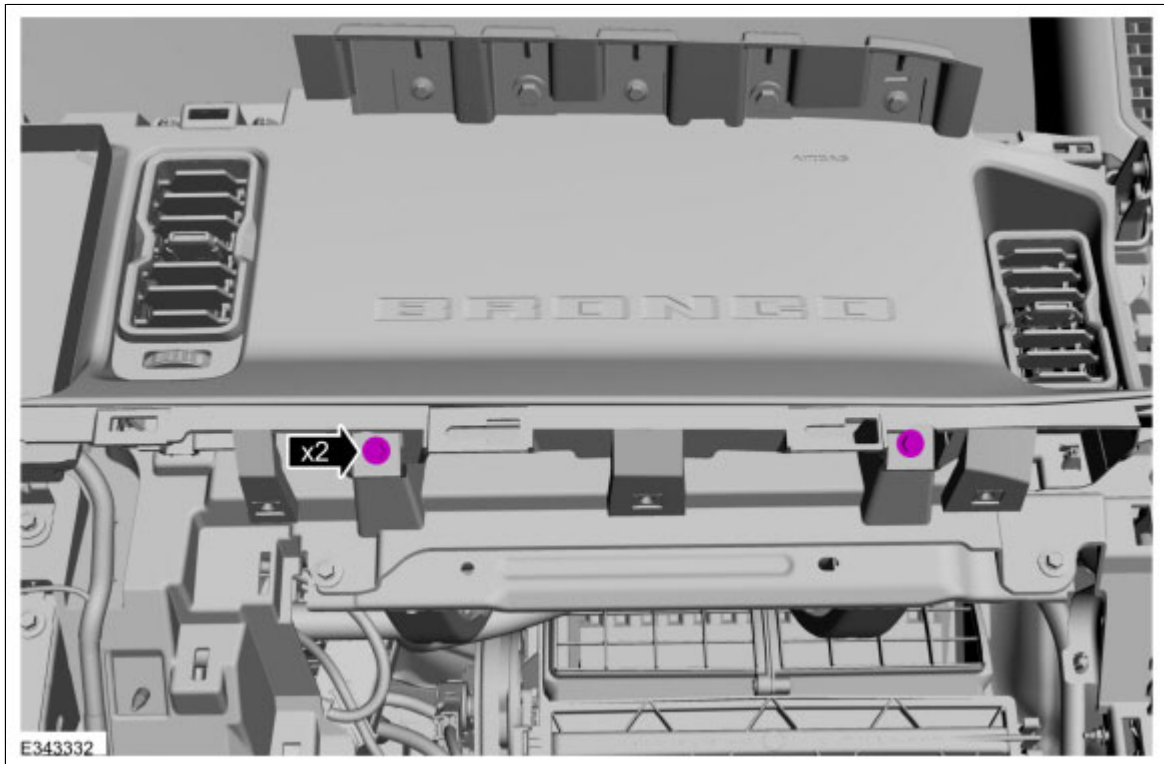




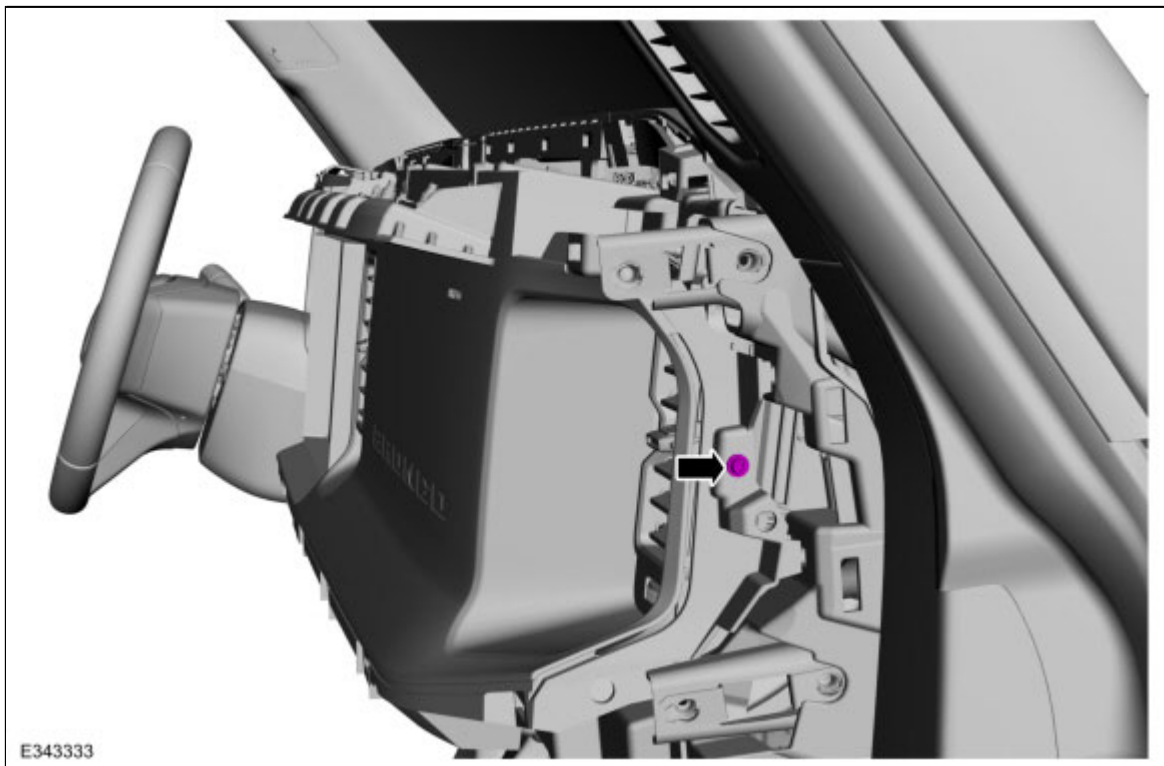
22. Remove the RH center instrument trim panel upper screws.
Torque : 22 lb.in (2.5 Nm)



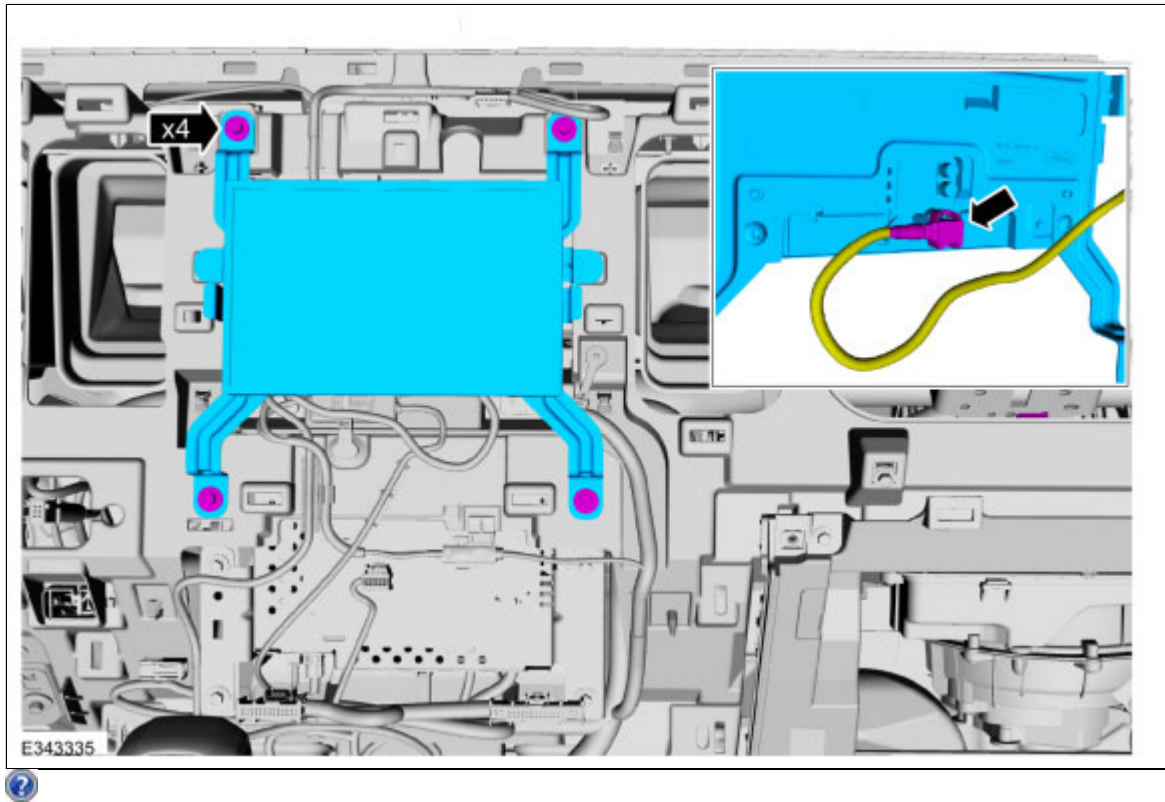
23. Remove the RH center instrument trim panel lower screws.
Torque : 22 lb.in (2.5 Nm)



24. Remove the RH center instrument trim panel side screw.

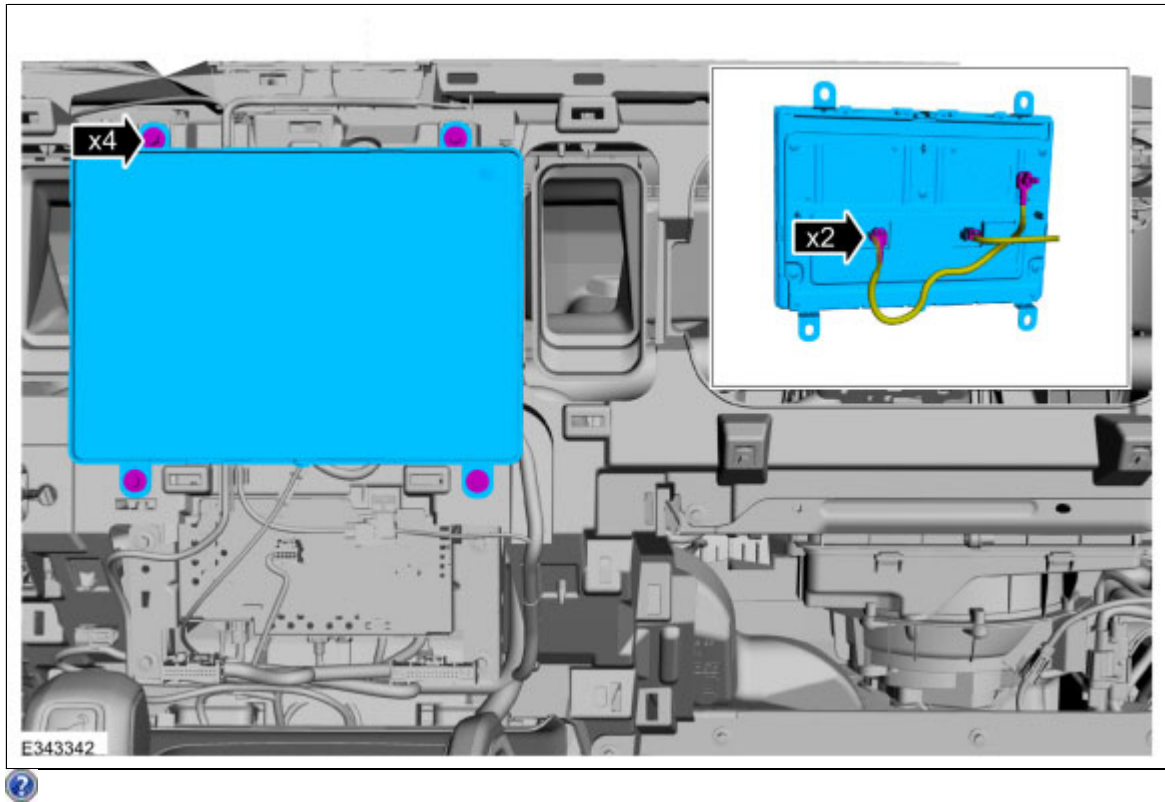


25. Release the clips and remove the RH center instrument trim panel and passenger side air bag as an



Vehicles equipped with a 12 inch information and entertainment display unit

27. Remove the screws, disconnect the electrical connectors and remove the information and entertainment display unit.
Torque : 22 lb.in (2.5 Nm)



Installation

1. To install, reverse the removal procedure.
2. Repower the SRS.
Refer to: [Supplemental Restraint System \(SRS\) Repowering](#) (501-20B Supplemental Restraint System, General Procedures).

Copyright © Ford Motor Company