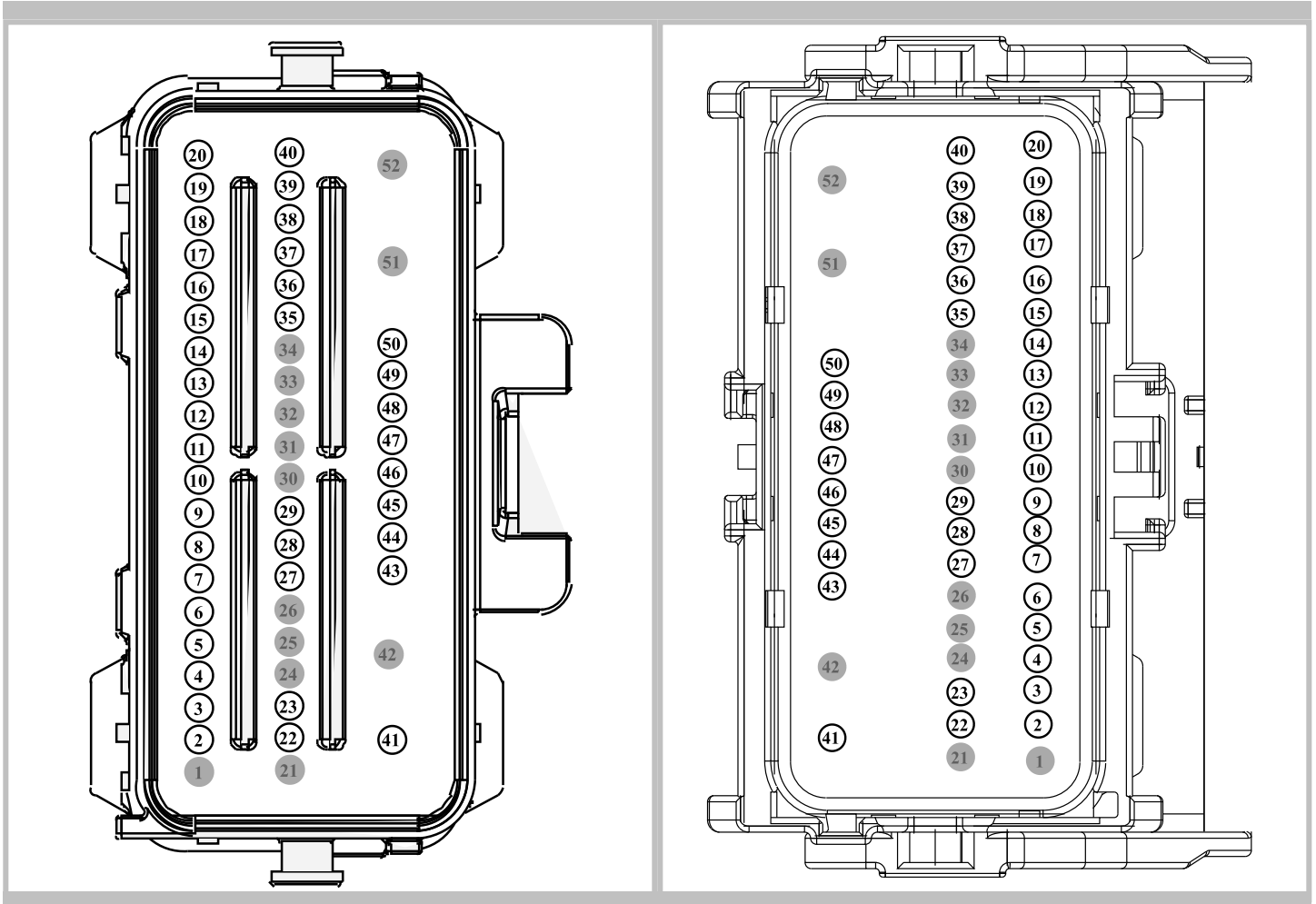


Inline:	Description	Color	Harness	Base Part #	Service Pigtail
C105	INLINE		14290 14405		Not Available

**MALE**  
**Harness 14290**

**FEMALE**  
**Harness 14405**



Check for Terminal Part Numbers

Pin	Circuit	Gauge	Qualifier
1	*	*	
2	CED09 (BU-OG)	18	
3	RED09 (GN-BN)	18	
4	LED34 (GN-WH)	20	
5	RED34 (YE-GY)	20	
6	VED28 (YE-VT)	20	
7	VED29 (BN-WH)	20	

Pin	Circuit	Gauge	Qualifier
1	*	*	
2	CED09 (BU-OG)	18	
3	RED09 (GN-BN)	18	
4	LCF24 (YE)	20	
4	LED34 (GN-WH)	20	
5	RCF09 (BN-WH)	20	
5	RED34 (YE-GY)	20	

8	VED22 (WH-BN)	20	
9	VED23 (VT-WH)	20	
10	VE922 (VT-GN)	20	
11	LE230 (BN-BU)	20	
12	RE407 (YE-VT)	20	
13	VCA03 (VT-WH)	20	
14	RCA17 (YE)	20	
15	VE785 (GN-WH)	20	
16	LET71 (YE-GN)	20	
17	LETB2 (BN-GN)	20	
18	RET71 (GY-BN)	20	
19	LETB3 (VT-GN)	20	
20	LETB4 (GN-WH)	20	
21	*	*	
22	CCF32 (WH-GN)	20	
23	VE518 (BN-WH)	20	
24	*	*	
25	*	*	
26	*	*	
27	LED13 (BU-BN)	20	
28	RED13 (BN-YE)	20	
29	VCF13 (GY-OG)	20	
30	*	*	
31	*	*	
32	*	*	
33	*	*	
34	*	*	
35	RCA18 (BN-GN)	20	
36	VCA04 (BU-OG)	20	
37	RCA20 (BN)	20	
38	VCA06 (WH-OG)	20	
39	VE225 (YE-OG)	20	

6	VED28 (YE-VT)	20	
7	VED29 (BN-WH)	20	
8	VED22 (WH-BN)	20	
9	VED23 (VT-WH)	20	
10	VE922 (VT-GN)	20	
11	LE230 (BN-BU)	18	
12	RE407 (YE-VT)	20	
13	VCA03 (VT-WH)	20	
14	RCA17 (YE)	20	
15	VE785 (GN-WH)	20	
16	LET71 (YE-GN)	20	
17	LETB2 (BN-GN)	20	
18	RET71 (GY-BN)	20	
19	LETB3 (VT-GN)	20	
20	LETB4 (GN-WH)	20	
21	*	*	
22	CCF32 (WH-GN)	20	
23	VE518 (BN-WH)	20	
24	*	*	
25	*	*	
26	*	*	
27	LED13 (BU-BN)	20	
28	RED13 (BN-YE)	20	
29	VCF13 (GY-OG)	20	
30	*	*	
31	*	*	
32	*	*	
33	*	*	
34	*	*	
35	RCA18 (BN-GN)	20	
36	VCA04 (BU-OG)	20	
37	RCA20 (BN)	20	

40	CAT03 (GY- BN)	14		38	VCA06 (WH- OG)	20	
41	CE608 (VT- GN)	12		39	VE225 (YE- OG)	20	
42	*	*		40	CAT03 (GY- BN)	18	
43	CE114 (GN- BU)	14		41	CE608 (VT- GN)	12	
44	CBK02 (GN)	14		42	*	*	
45	CBK02 (GN)	14		43	CE114 (GN- BU)	18	
46	CE420 (GY- VT)	14		44	CBK02 (GN)	18	
46	CE420 (GY- VT)	18		45	CBK02 (GN)	16	
47	CCB16 (WH- VT)	14		46	CE420 (GY- VT)	16	
48	CCB17 (BU- GN)	14		47	CCB16 (WH- VT)	14	
49	CCB18 (YE- GY)	14		48	CCB17 (BU- GN)	14	
50	CCB19 (GN- BN)	14		49	CCB18 (YE- GY)	14	
51	*	*		50	CCB19 (GN- BN)	14	
52	*	*		51	*	*	
				52	*	*	