



Bronco Equipment Installation Guide

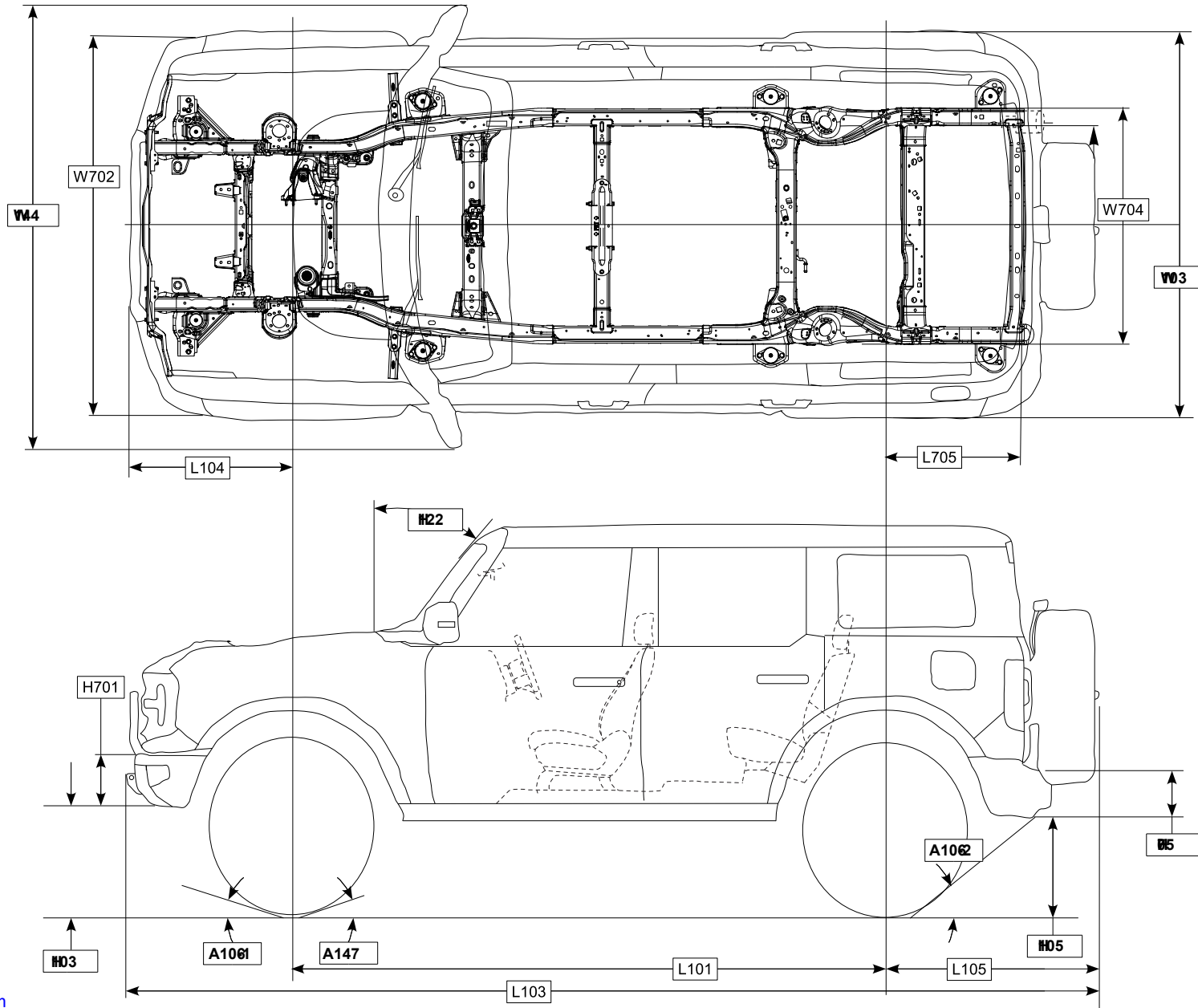
BRONCO DIMENSIONAL DATA - 2 DOOR / 4 DOOR

5

BRONCO

2021

MODEL YEAR





Bronco Equipment Installation Guide

BRONCO DIMENSIONAL DATA - 2 DOOR / 4 DOOR CONT'D

6

BRONCO

2021

MODEL YEAR

CODE	DESCRIPTION	2 DOOR			4 DOOR		
		Base	Badlands	Sasquatch	Base	Badlands	Sasquatch
		30" Tire	33" Tire	35" Tire	30" Tire	33" Tire	35" Tire
H103	BOTTOM OF FRONT BUMPER TO GROUND @ CURB	377 [14.8]	463 [18.2]	491 [19.3]	377 [14.8]	463 [18.2]	491 [19.3]
H105	BOTTOM OF REAR BUMPER TO GROUND @ CURB	435 [17.1]	482 [19.0]	519 [20.4]	434 [17.1]	481 [18.9]	518 [20.4]
A106-1	APPROACH ANGLE @ CURB (DEGREES)	35.5	40.4	43.2	35.5	40.3	43.2
A106-2	DEPARTURE ANGLE @ CURB (DEGREES) (TO REAR TOW HOOKS)	29.8	34.1	37.2	29.7	34.0	37.0
	(TO REAR BUMPER - TOW HOOKS REMOVED)	34.3	38.6	41.6	34.2	38.5	41.4
A147	RAMP BREAKOVER ANGLE @ CURB (DEGREES)	21.1	25.9	29.0	20	23.6	26.3
L101	WHEELBASE	2550 [100.4]			2950 [116.1]		
L103	VEHICLE LENGTH	4411 [173.7]	4439 [174.8]	4413 [173.7]	4811 [189.4]	4839 [190.5]	4813 [189.5]
L104	FRONT OVERHANG (NO LICENSE PLATE BRACKET)	794 [31.3]	822 [32.4]	783 [30.8]	794 [31.3]	822 [32.4]	783 [30.8]
L105	REAR OVERHANG (TO SPARE TIRE CARRIER)	1067 [42.0]	1067 [42.0]	1080 [42.5]	1067 [42.0]	1067 [42.0]	1080 [42.5]
	(TO REAR BUMPER)	833 [32.8]	818 [32.2]	818 [32.2]	833 [32.8]	818 [32.2]	818 [32.2]
L705	C/L OF REAR AXLE TO REAR END OF FRAME	717 [28.2]			717 [28.2]		
H122	WINDSHIELD ANGLE (DEGREES)	39.6			39.6		
H701	FRONT BUMPER HEIGHT	301 [11.9]	264 [10.4]	271 [10.7]	301 [11.9]	264 [10.4]	271 [10.7]
H705	REAR BUMPER HEIGHT	256 [10.1]	258 [10.2]	258 [10.2]	256 [10.1]	258 [10.2]	258 [10.2]
W103	VEHICLE WIDTH (MAX W/O MIRRORS)	1928 [75.9]	1937 [76.3]	2015 [79.3]	1928 [75.9]	1937 [76.3]	2015 [79.3]
W144	VEHICLE WIDTH (MAX W/ STANDARD MIRRORS)	2189 [86.2]			2189 [86.2]		
W702	FRONT BUMPER WIDTH	1873 [73.7]	1874 [73.8]	1872 [73.7]	1873 [73.7]	1874 [73.8]	1872 [73.7]
W704	REAR FRAME WIDTH	1170 [46.1]			1170 [46.1]		

Note: Does not include rear tow hooks, optional trailer hitch receiver or spare tire

Note: Base (Plastic), Badlands (Modular), Sasquatch (Steel)

Note: Badlands & Sasquatch measured to Design Nominal tire sidewall

Note: High Series Mirrors with Turn Lamp (W144 = 2199mm [86.6])

DIMENSIONS SHOWN IN mm [in]