

415-00 Information and Entertainment System - General Information Removal and Installation

2024 Bronco

Procedure revision date: 03/30/2021

Audio Unit Antenna



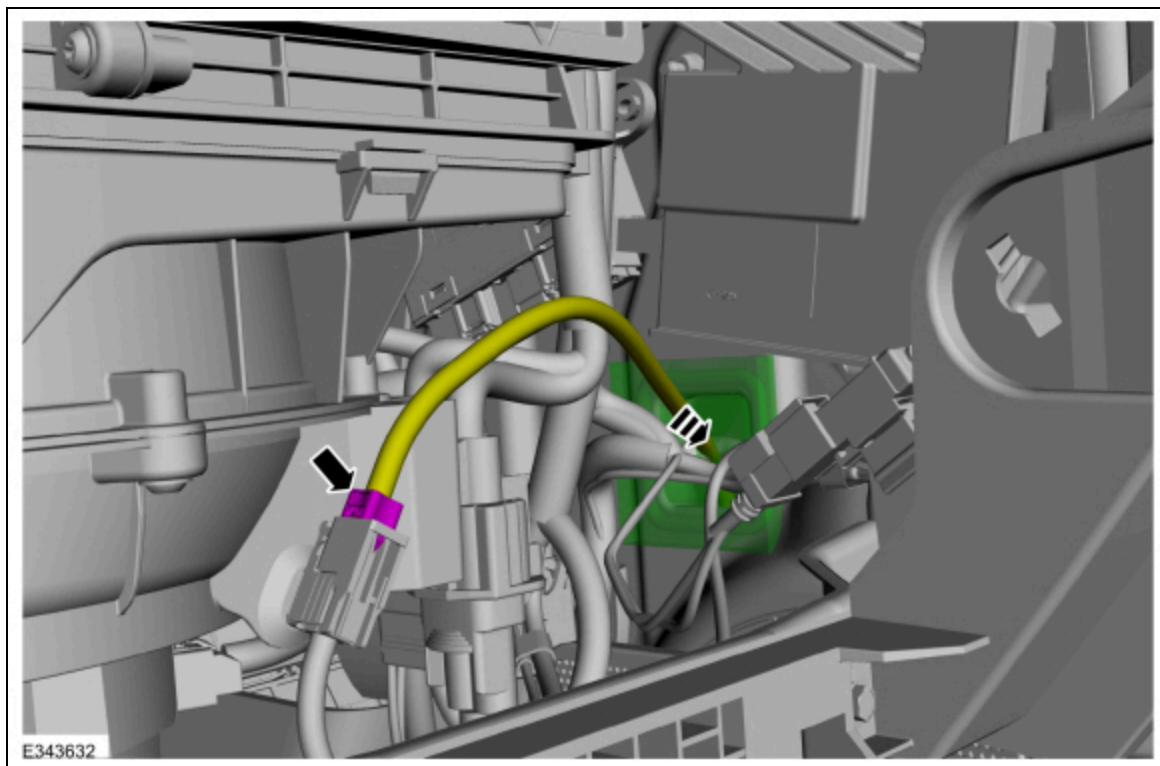
Removal

NOTE: Removal steps in this procedure may contain installation details.

1. Remove the glove compartment.
Refer to: [Glove Compartment](#) (501-12 Instrument Panel and Console, Removal and Installation).
2. **NOTE:** Attach and tape a strong flexible cord to the interior connector as a fish tape to aid in routing the antenna lead.

Disconnect the antenna cable connector.

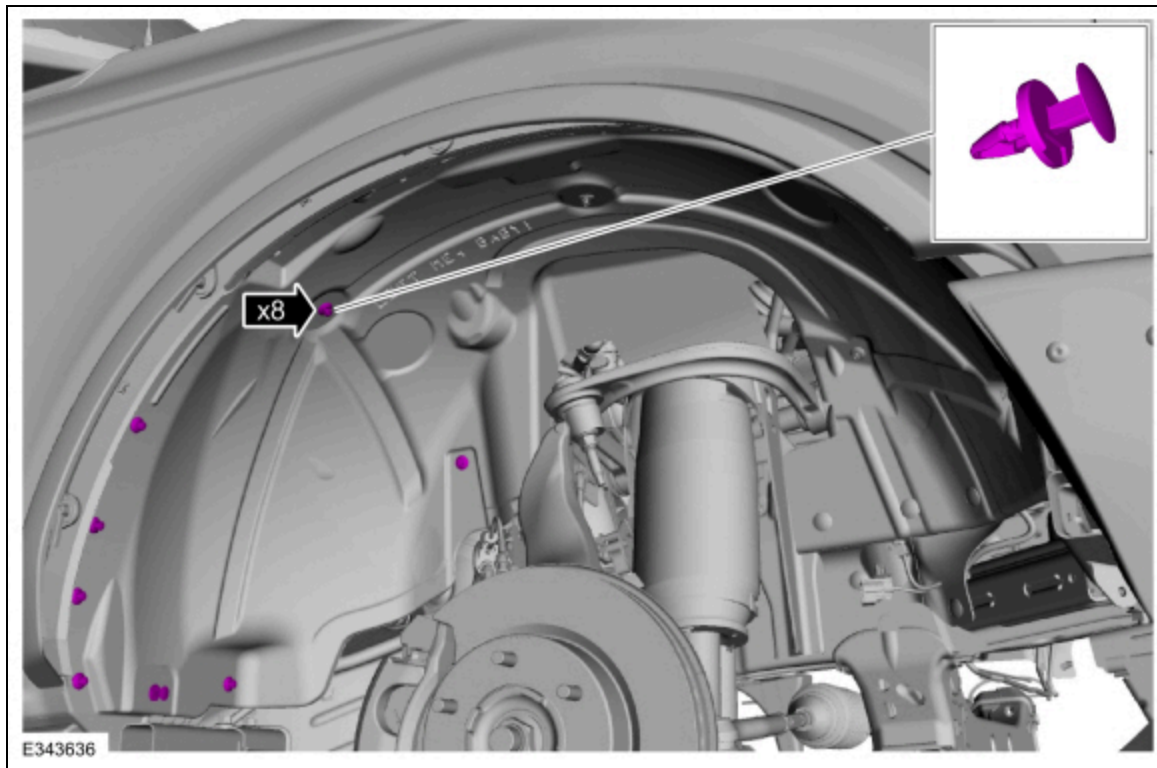
- Position the antenna interior cable and connector through the insulation and into the lower A-pillar.



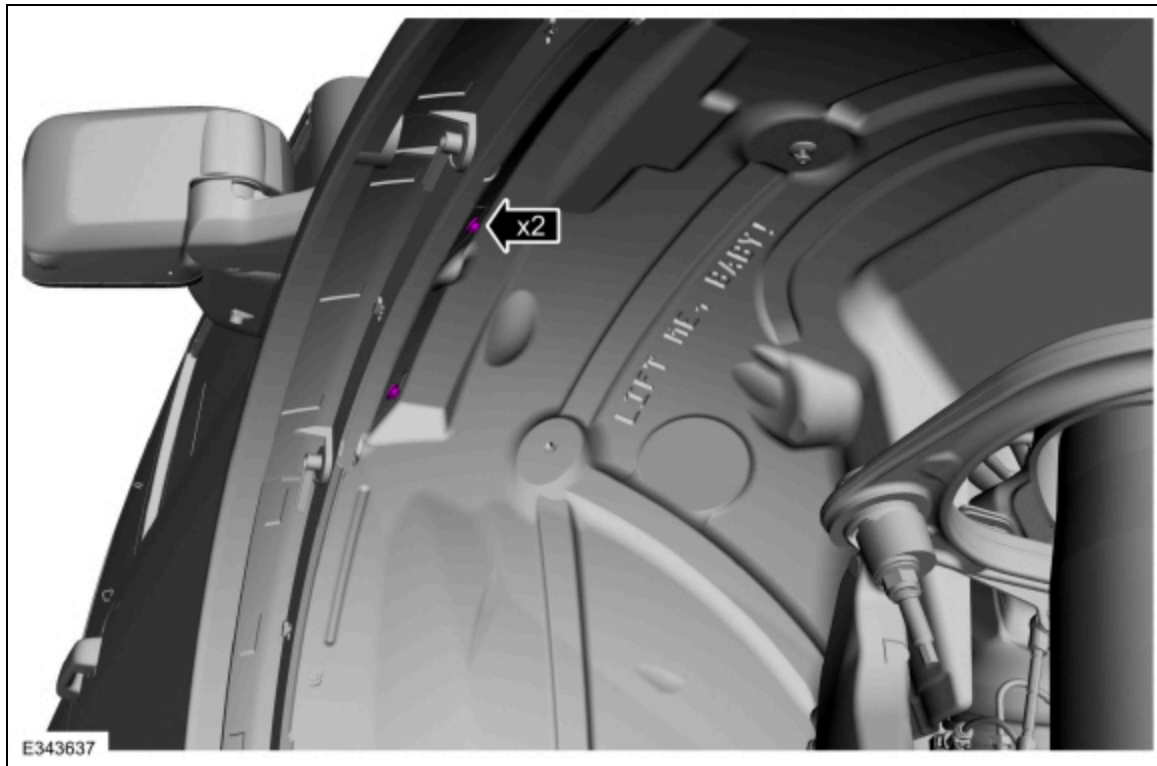
3. Remove the **RH** front wheel and tire.
Refer to: [Wheel and Tire](#) (204-04A Wheels and Tires, Removal and Installation).

4. **NOTE:** Base vehicle is shown, other vehicle are similar.

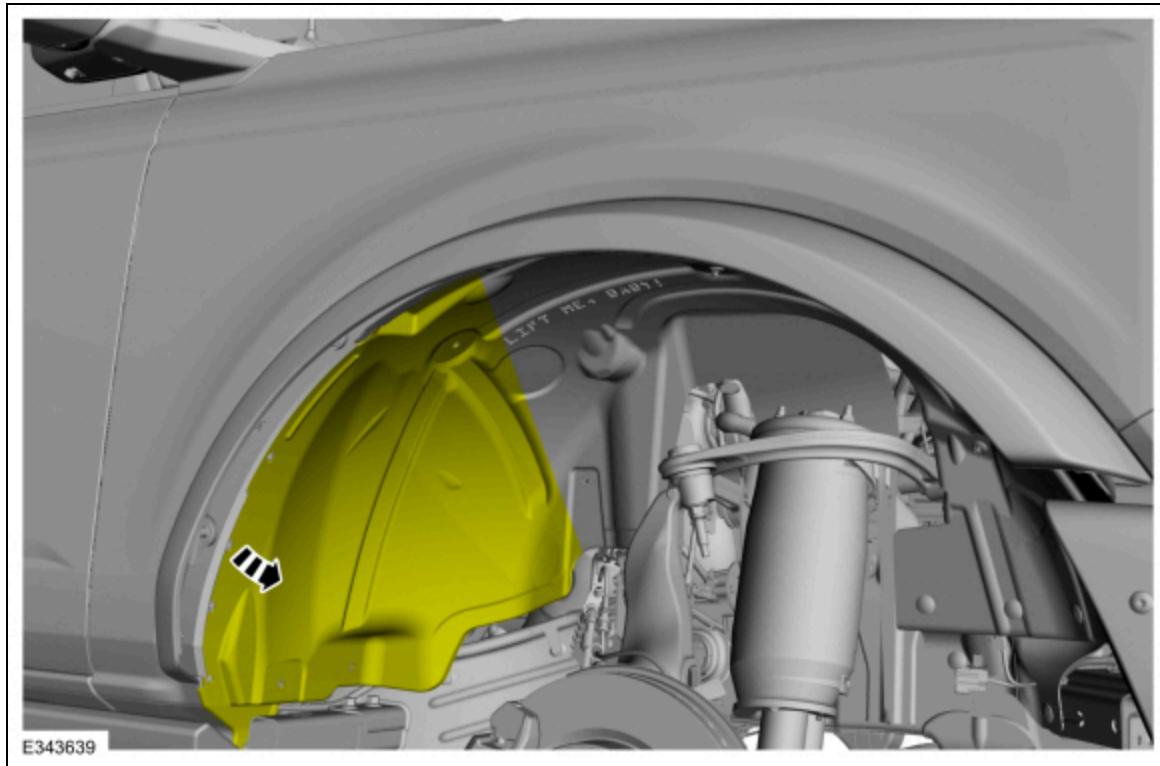
Remove the pin-type retainers.



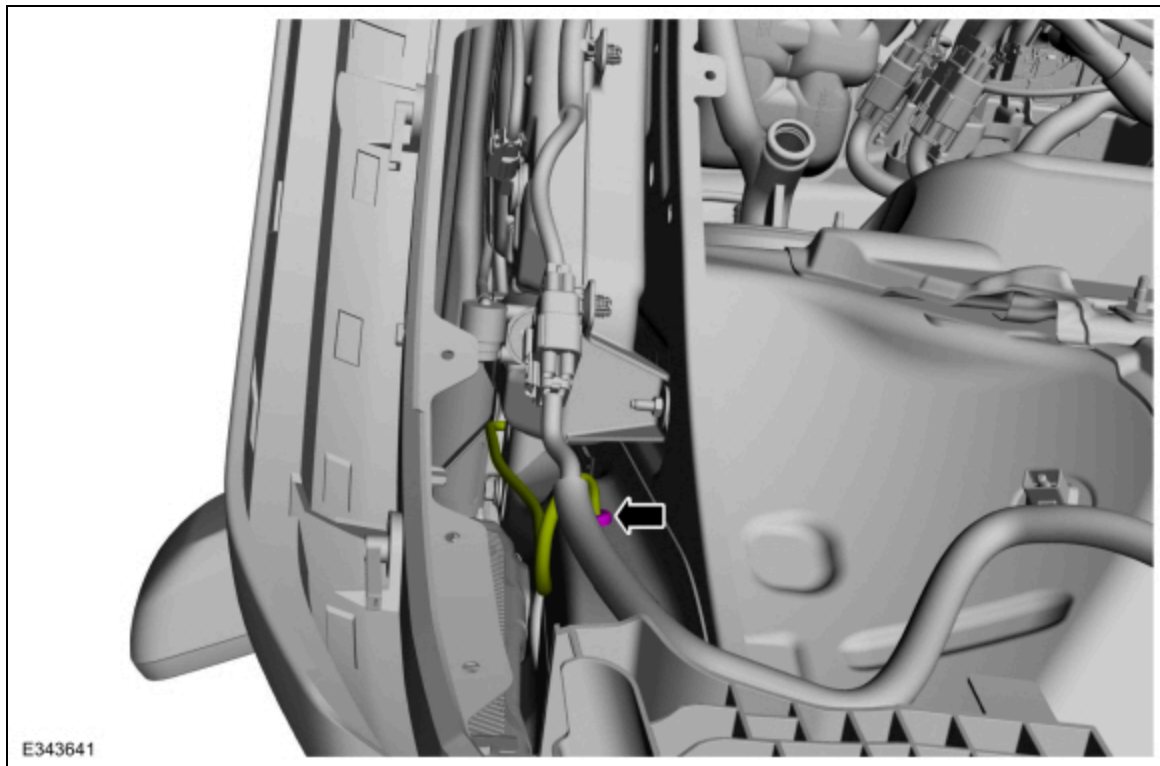
5. Remove the screws.
Torque: 15 lb.in (1.7 Nm)



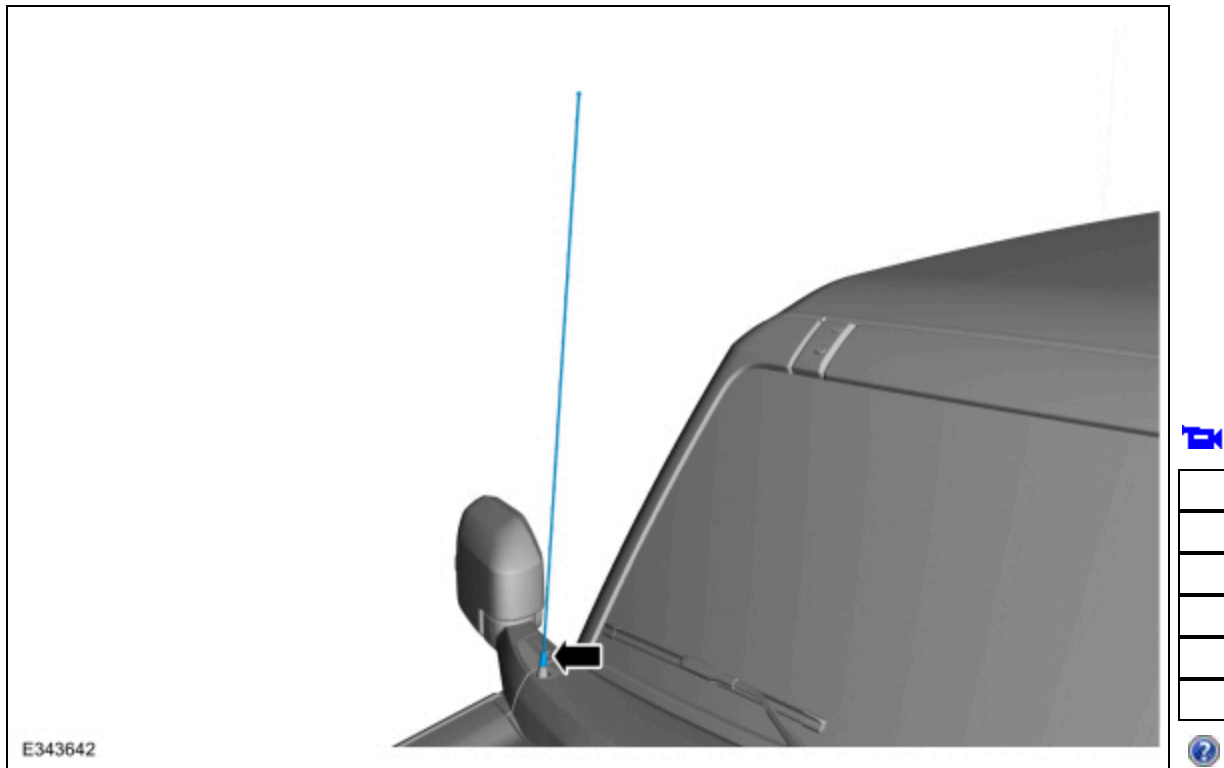
6. Position the rear of the RH fender liner aside.



7. Separate the grommet and position the antenna cable out of the outer lower A-pillar panel.



8. Remove the antenna mast.

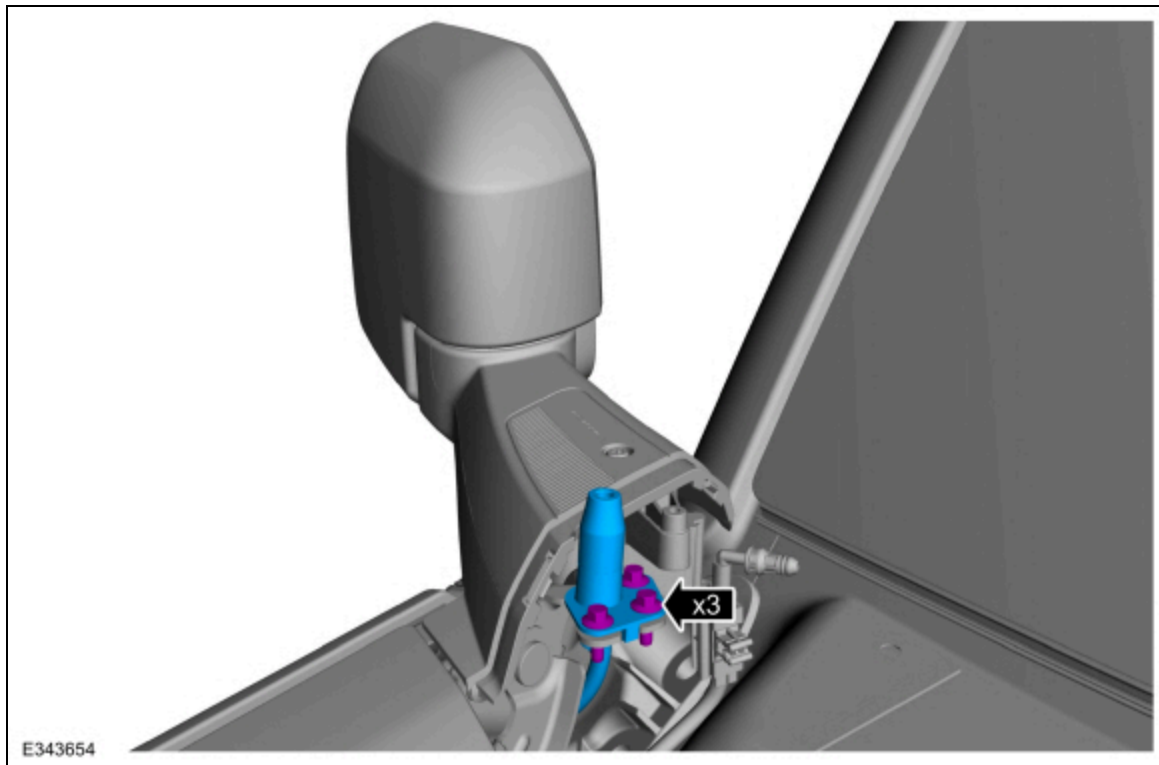


9. Remove the cowl panel grille.

Refer to: [Cowl Panel Grille](#) (501-02 Front End Body Panels, Removal and Installation).

10. Remove the screws and the audio unit antenna base.

Torque: 28 lb.in (3.2 Nm)



Installation

1. To install, reverse the removal procedure.

© Copyright 2025, Ford Motor Company.

