

**Audio Front Control Module (ACM)****Special Tool(s) / General Equipment**

Interior Trim Remover
-----------------------

**Removal**

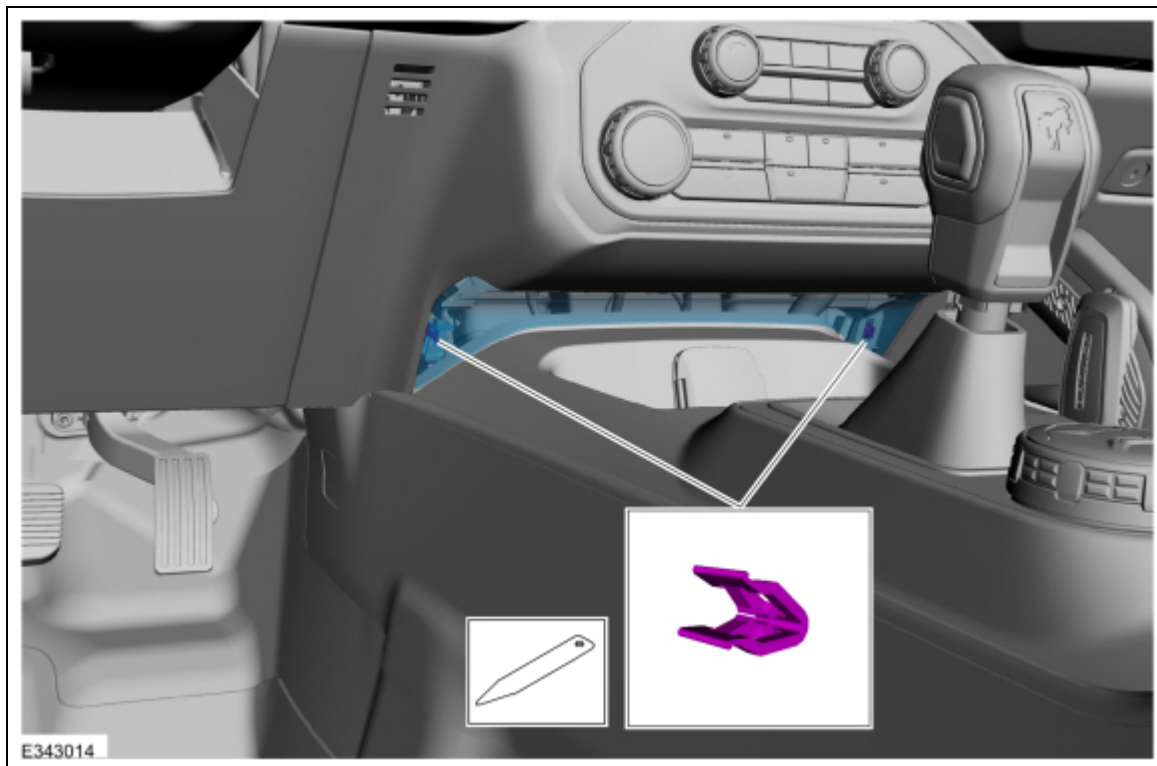
**NOTE:** Removal steps in this procedure may contain installation details.

**All vehicles**

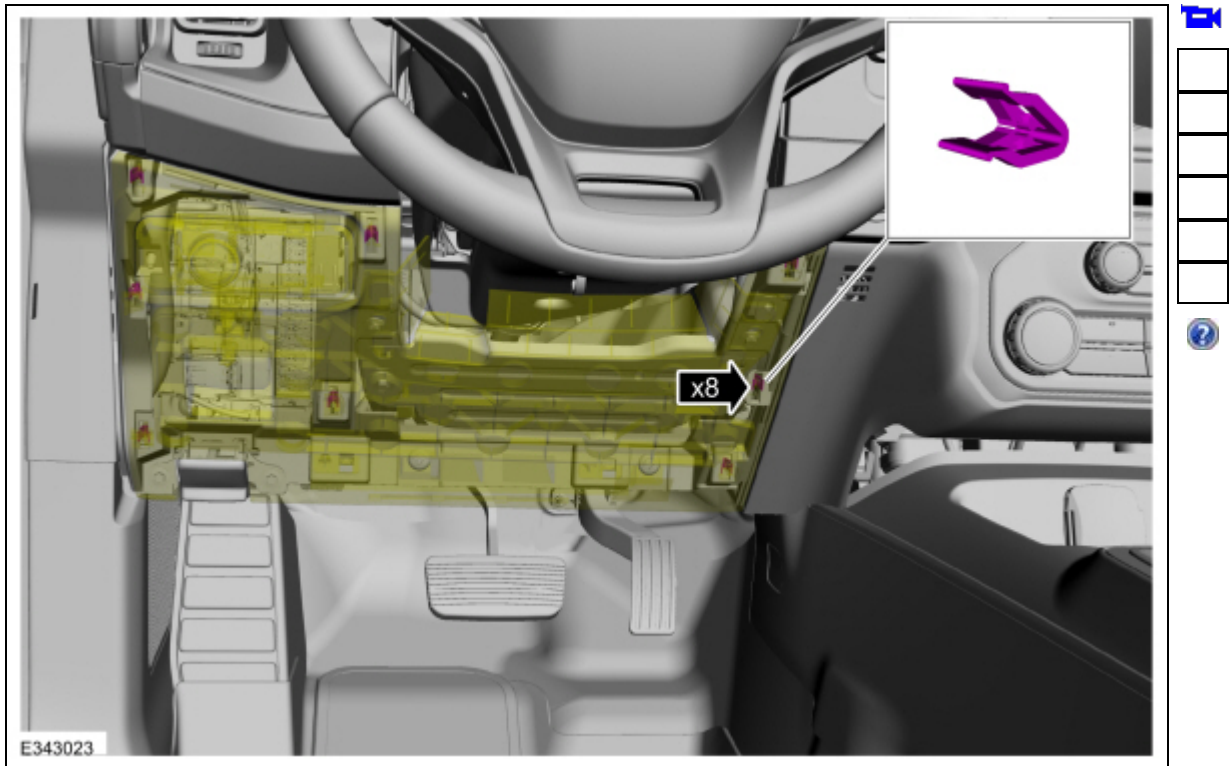
1. **NOTE:** If installing a new module, it is necessary to upload the module configuration information to the scan tool prior to removing the module. This information must be downloaded into the new module after installation.

Using a diagnostic scan tool, begin the **PMI** process for the **ACM** following the on-screen instructions.

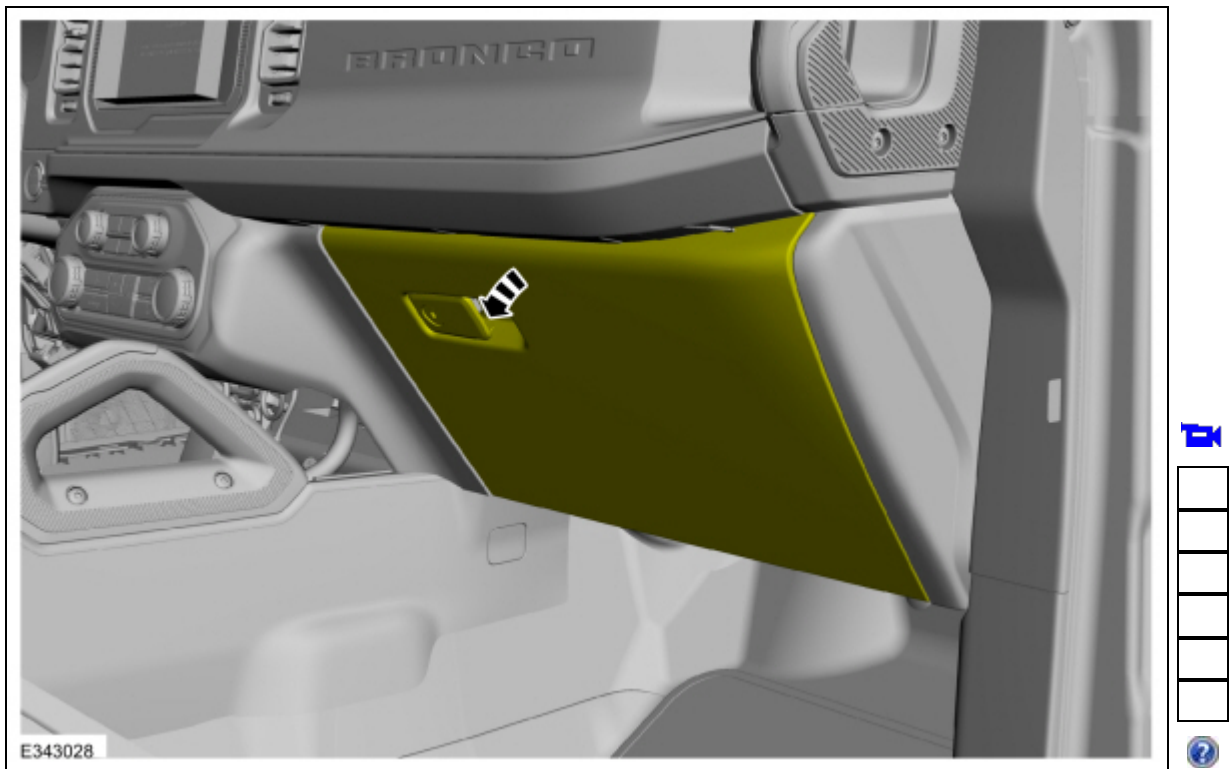
2. Release the clips and remove the lower instrument trim panel.  
Use the General Equipment: Interior Trim Remover



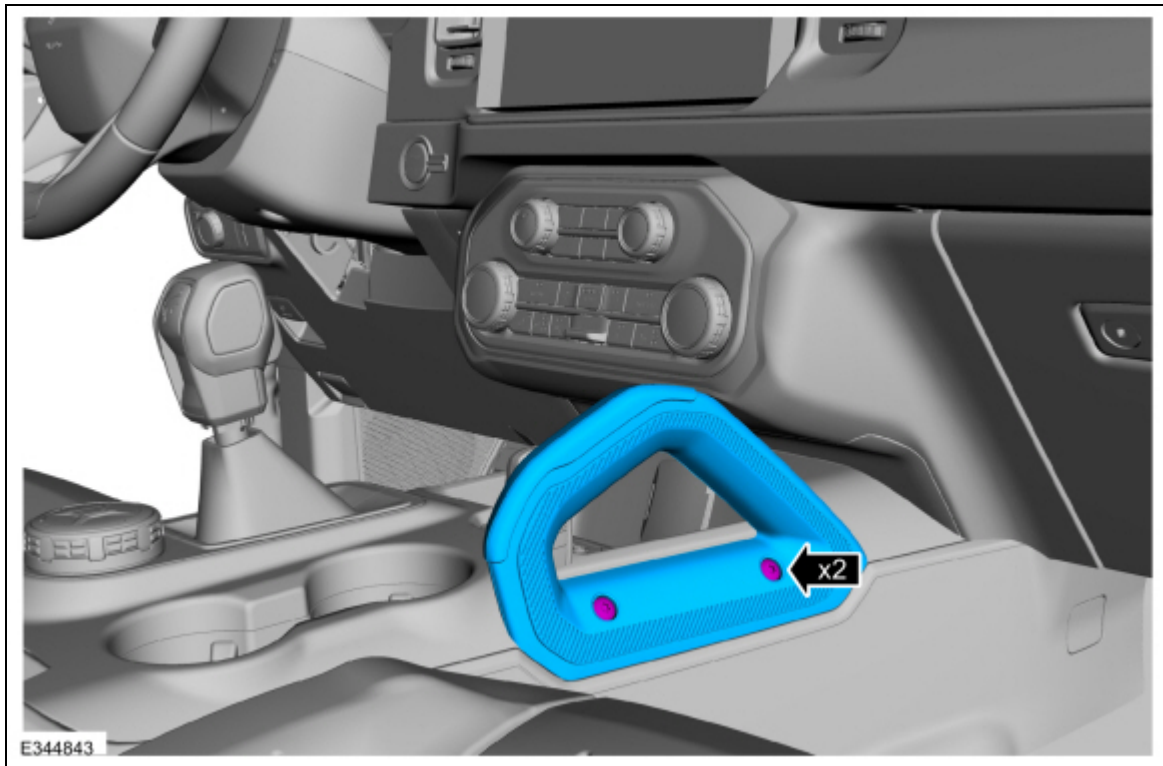
3. Release the clips and position the lower steering column closeout panel down.



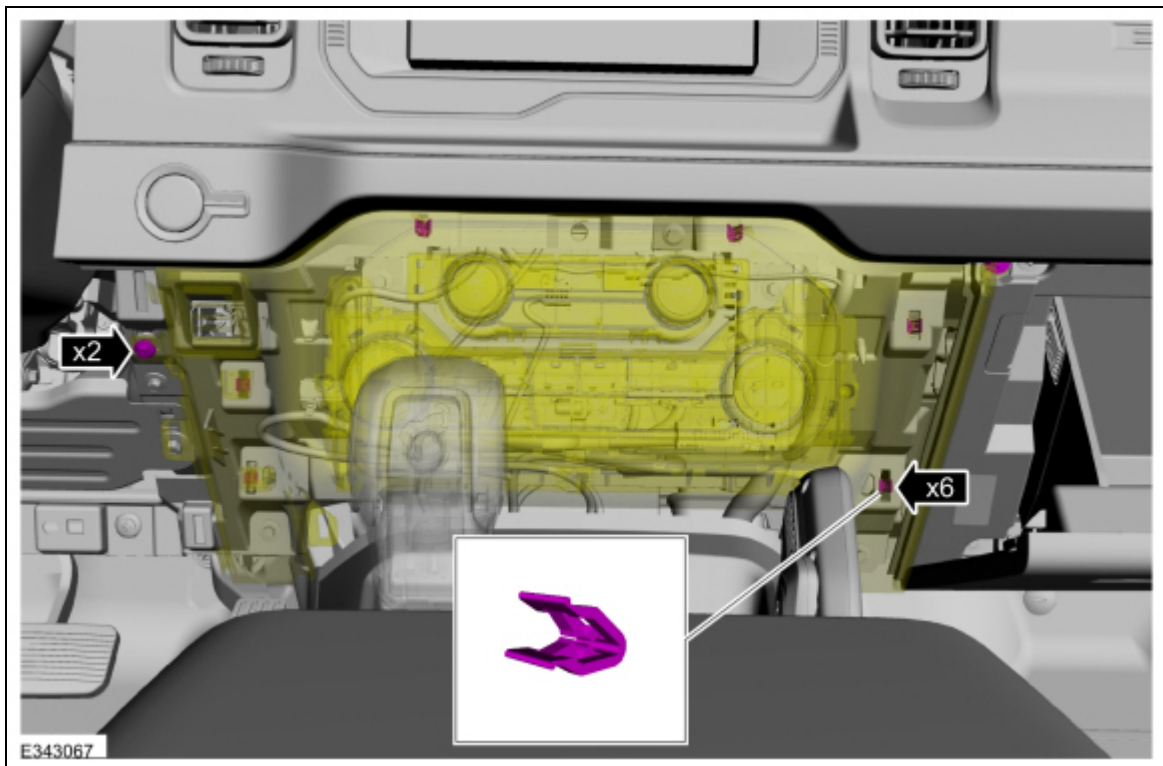
4. Fully lower the glove compartment door.



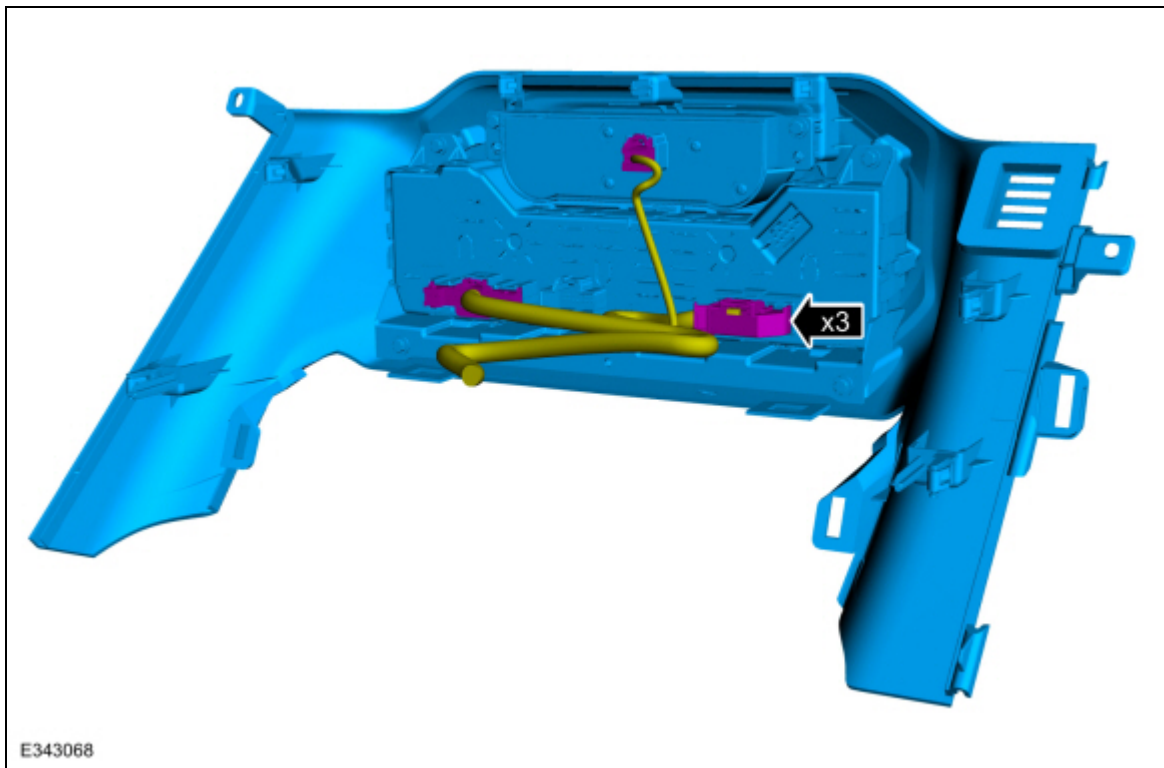
5. If equipped.  
Remove the screws and the console handle.  
*Torque: 48 lb.in (5.4 Nm)*



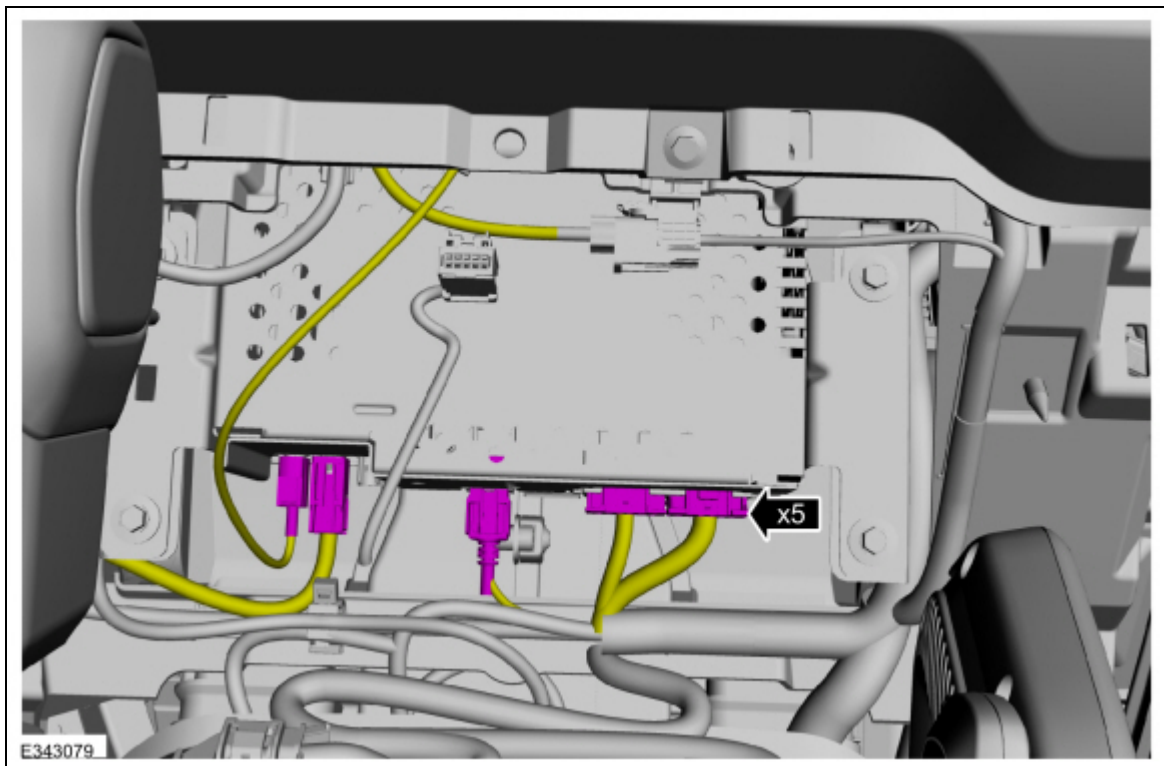
6. Remove the screws, release the clips and position the lower center instrument panel trim panel.



7. Disconnect the electrical connectors and remove the lower center instrument panel trim panel.

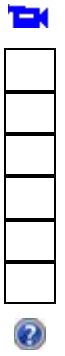
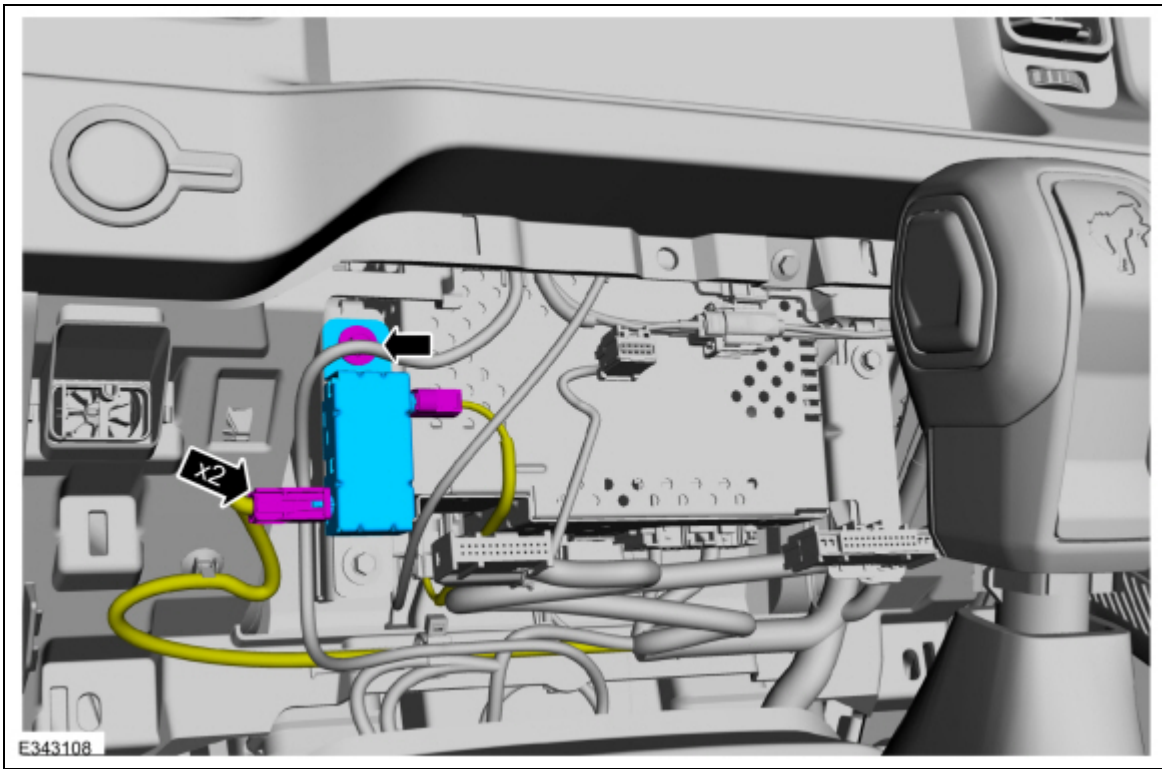


8. Disconnect the electrical connectors.



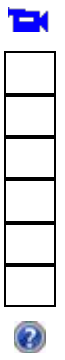
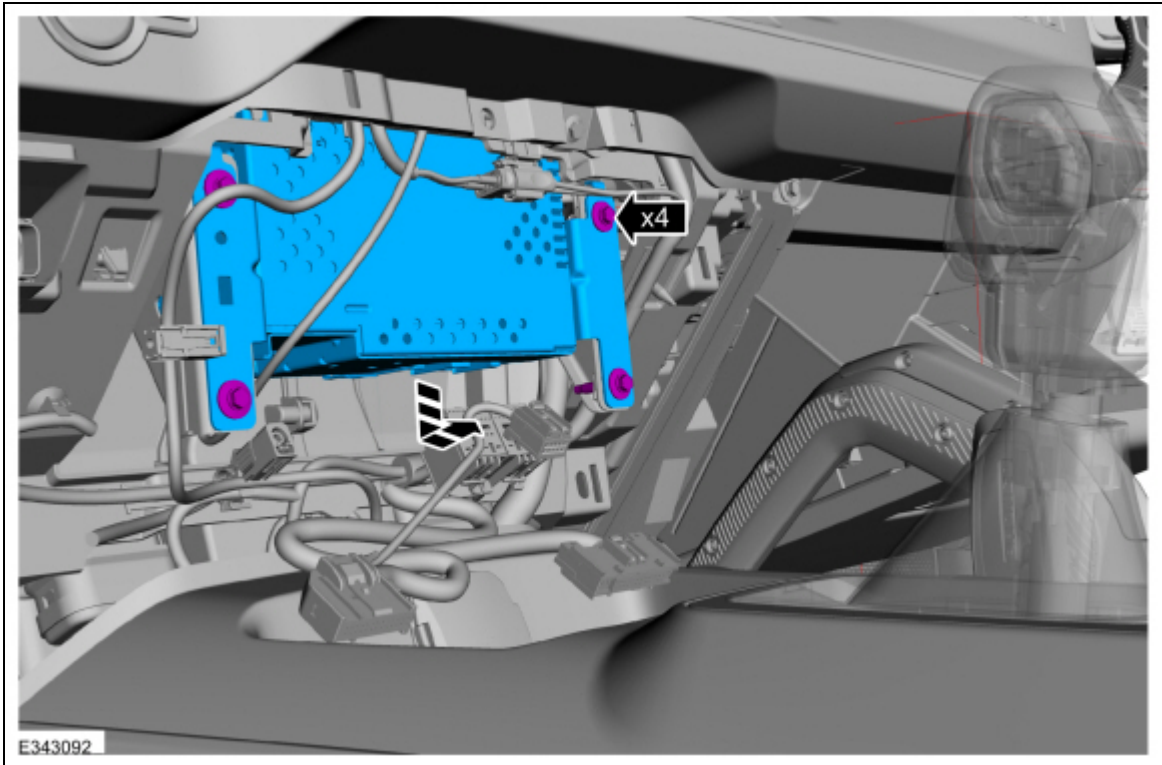
#### Vehicles equipped with an audio unit antenna amplifier

9. Disconnect the electrical connectors, remove the bolt and the audio unit antenna amplifier.  
*Torque: 22 lb.in (2.5 Nm)*



**All vehicles**

- 10. Remove the screws and the ACM.  
*Torque: 22 lb.in (2.5 Nm)*



**Installation**

1. To install, reverse the removal procedure.
2. **NOTE:** *This step is only necessary when installing a new component.*

Using a diagnostic scan tool, complete the PMI process for the ACM following the on-screen instructions.

© Copyright 2021, Ford Motor Company.

---