

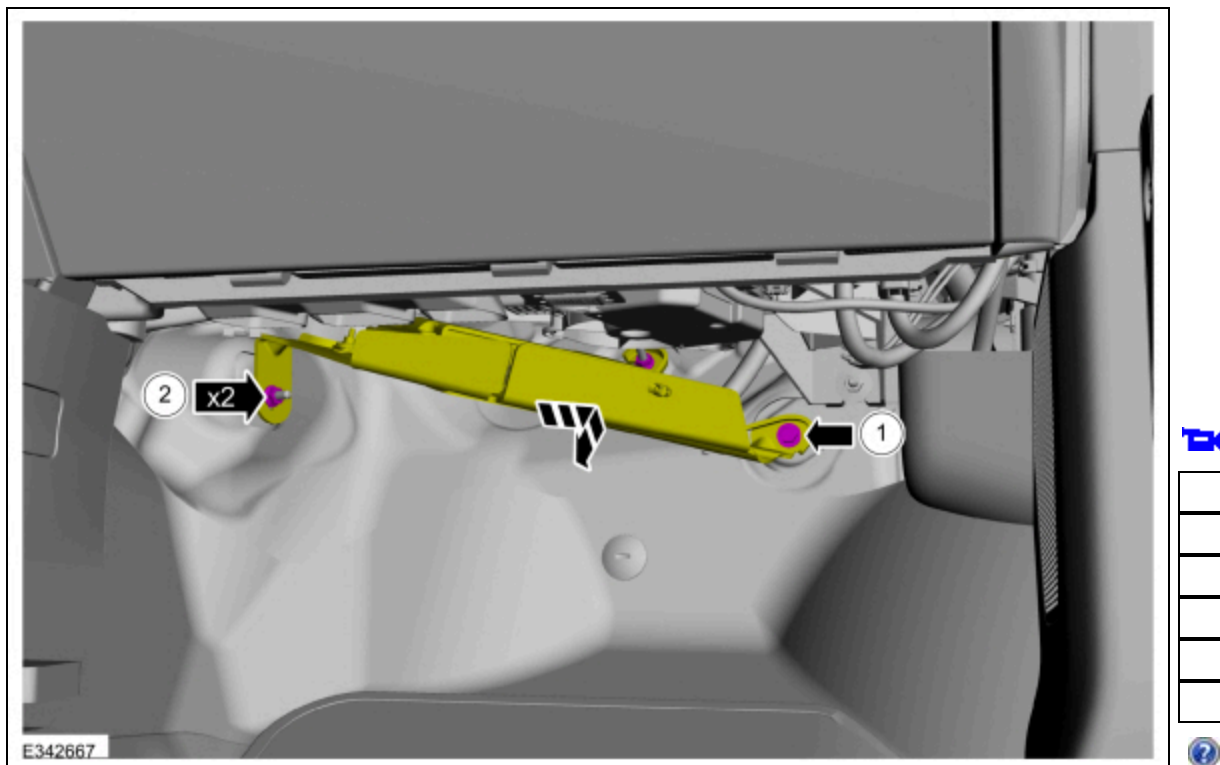
Image Processing Module B (IPMB)



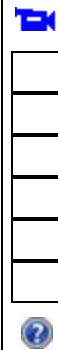
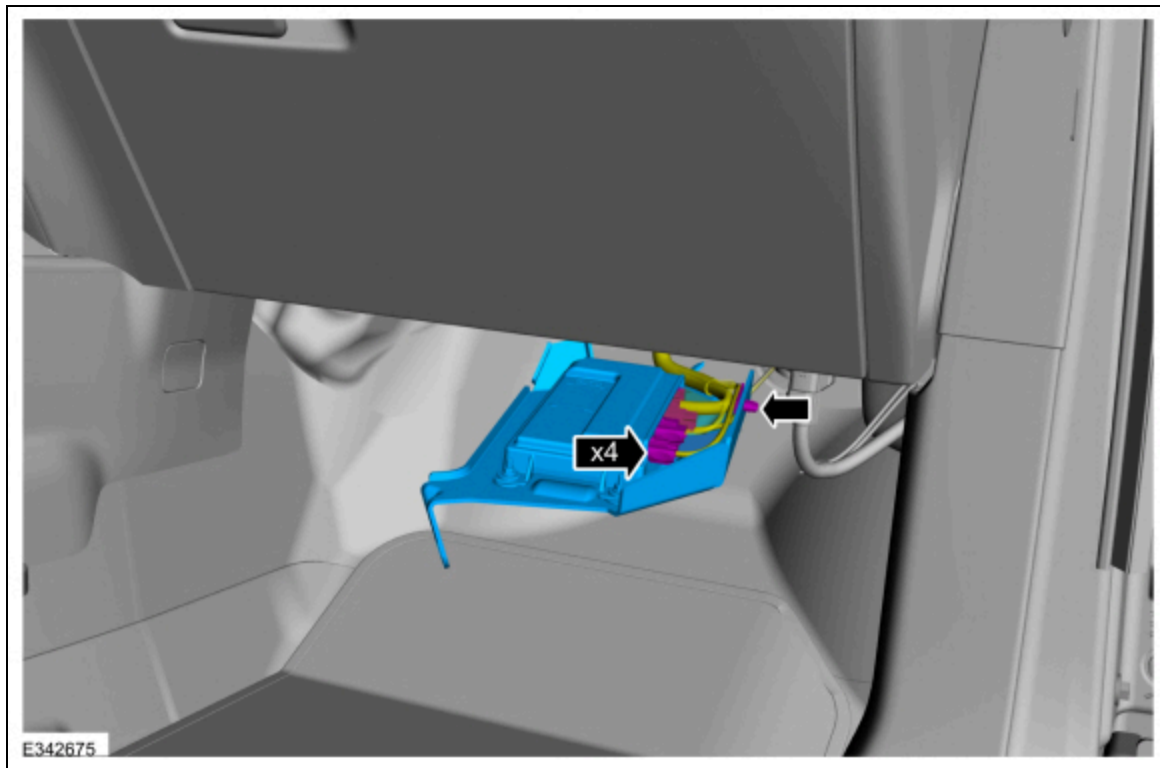
Removal

NOTE: This step is only necessary if the IPMB is being replaced.

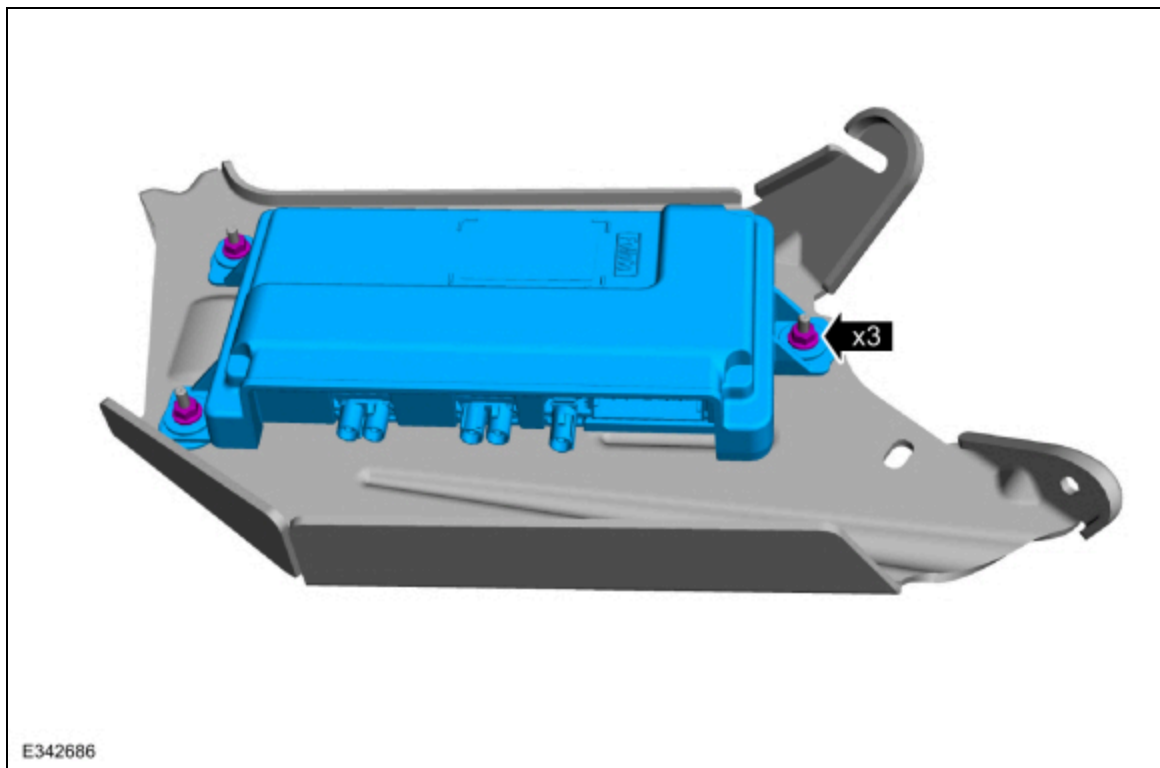
1. Using a diagnostic scan tool, begin the PMI process for the IPMB following the on-screen instructions.
2. Position the IPMB .
 1. Remove the bolt.
Torque: 48 lb.in (5.4 Nm)
 2. Remove the nuts.
Torque: 71 lb.in (8 Nm)



3. Separate the wiring guide, disconnect the electrical connectors and remove the IPMB and bracket as an assembly.



4. Remove the nuts and the IPMB .



Installation

1. To install, reverse the removal procedure.
2. **NOTE:** Carry out this step only if a IPMB is being replaced.
Using a diagnostic scan tool, begin the PMI process for the IPMB following the on-screen instructions.
3. **NOTE:** Carry out this step only if a IPMB is being replaced.

Carry out the 360 degree view camera alignment.

Refer to: [360 Degree View Camera Alignment - Vehicles With: 360 Degree Camera](#) (413-13B Parking Aid - Vehicles With: 360 Degree Camera/Digital Rear View Camera/Parking Aid Camera, General Procedures).

© Copyright 2025, Ford Motor Company.
