

### Rear Parking Aid Camera

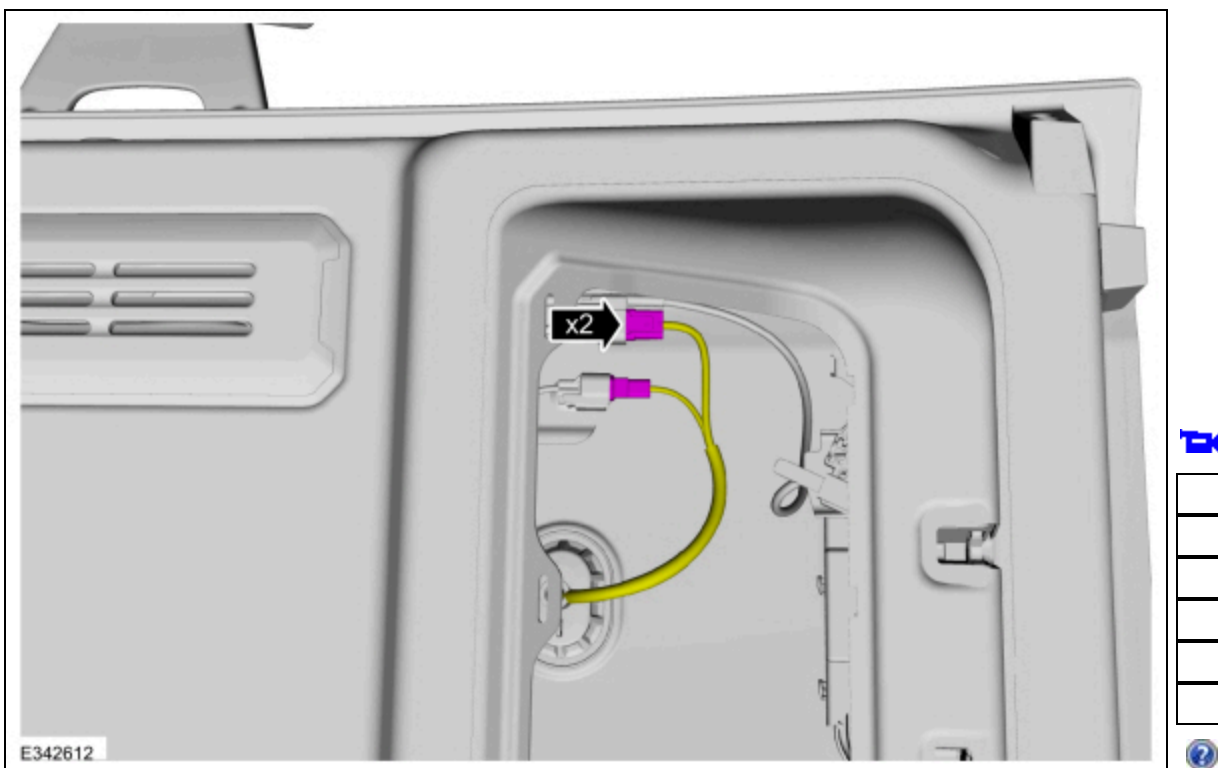
#### Removal

**NOTE:** Removal steps in this procedure may contain installation details.

1. Release the clips and remove the liftgate trim panel.



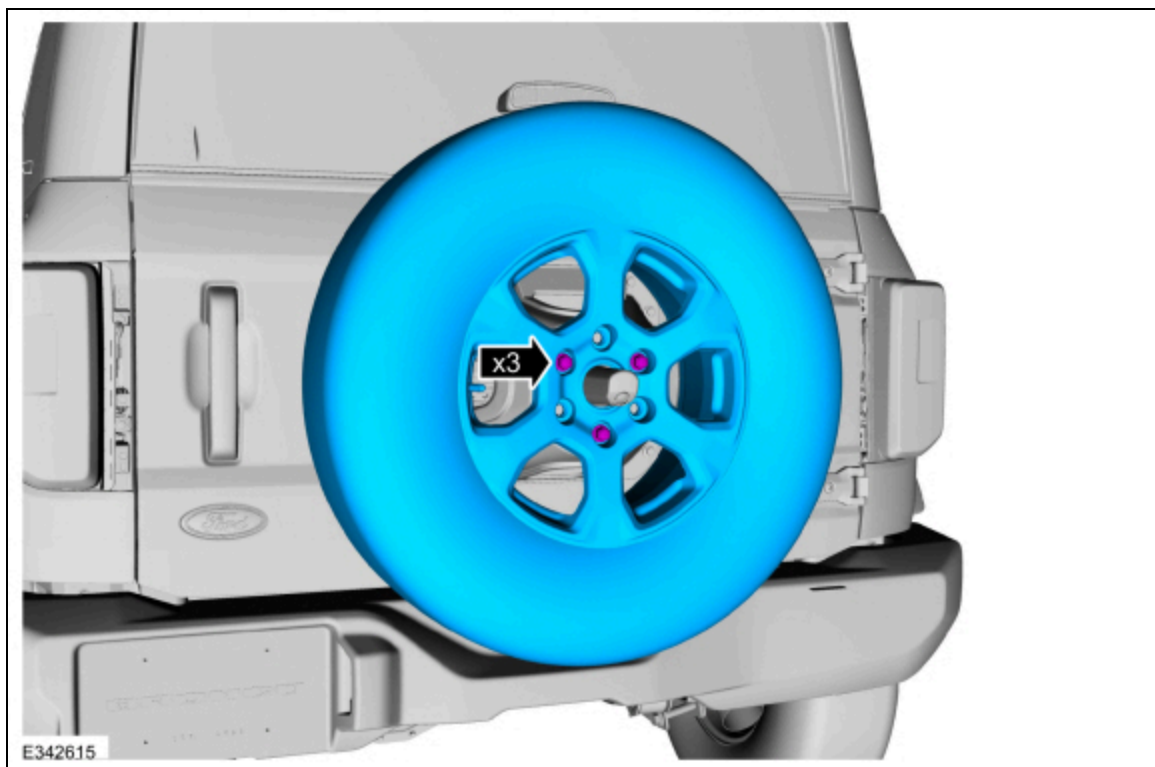
2. Disconnect the electrical harness connectors.



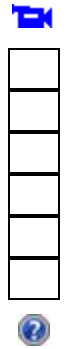
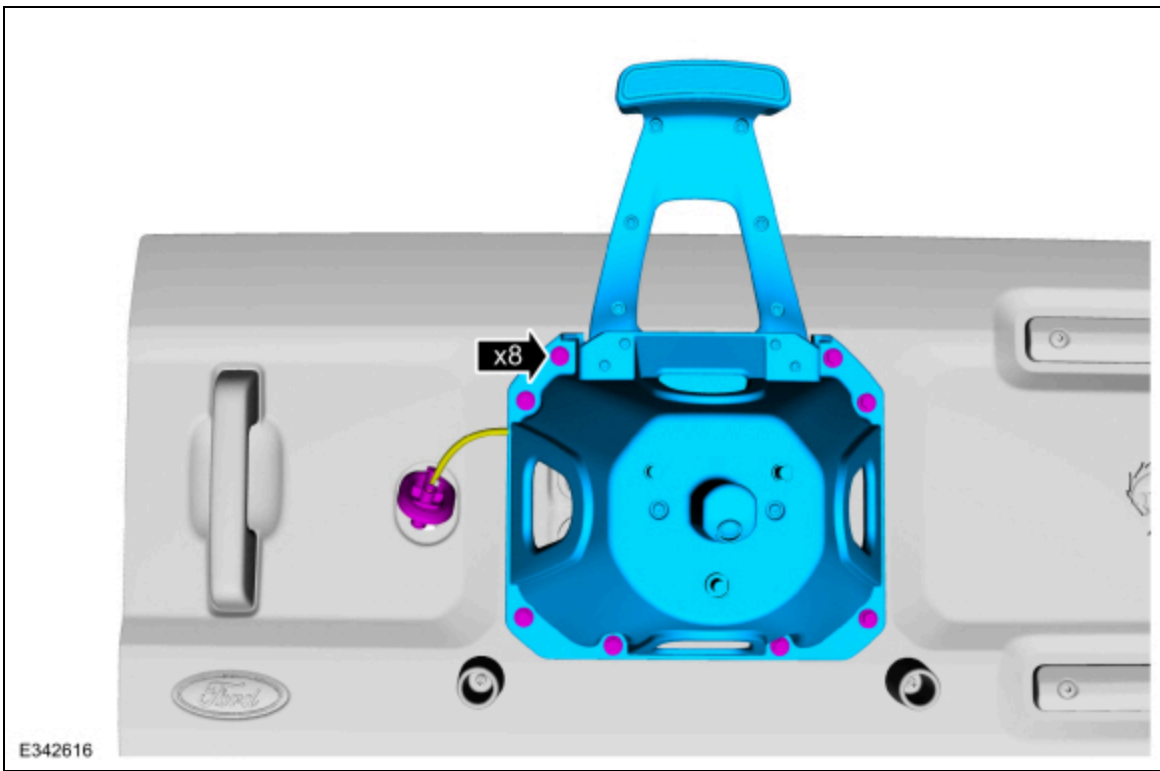
3. Separate the grommet and position the wiring harness through the liftgate panel.



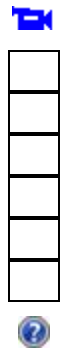
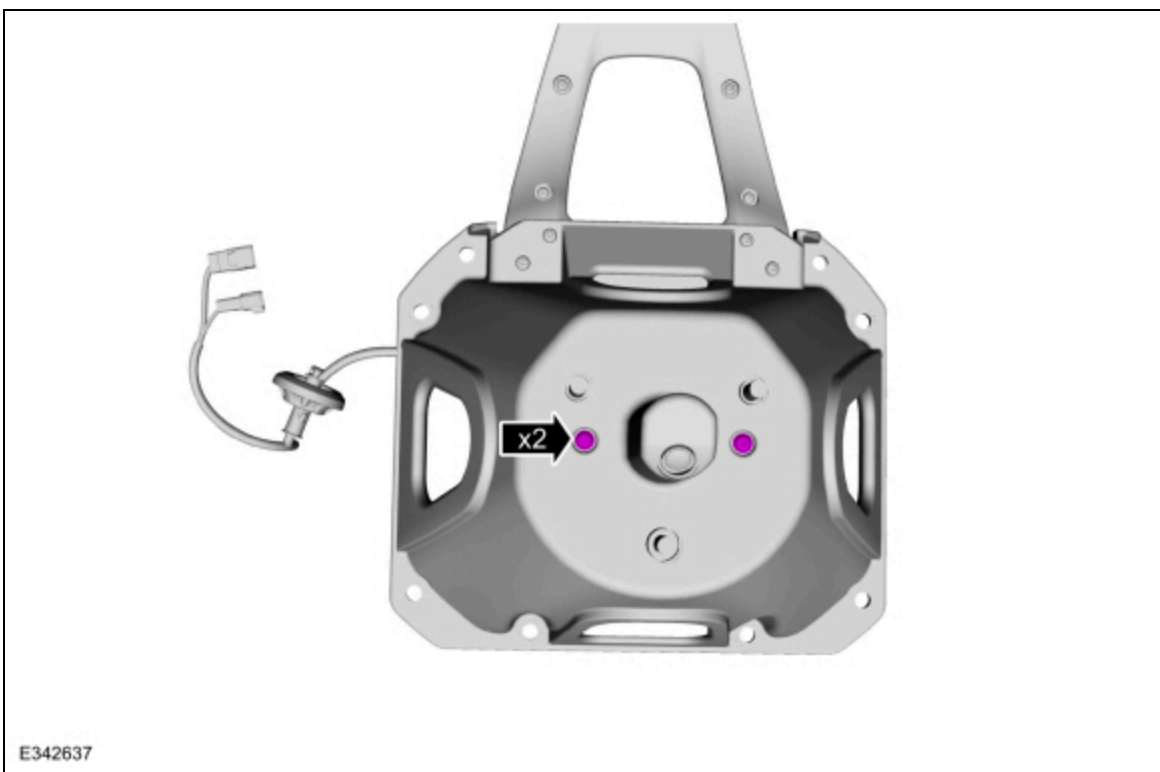
4. Remove the nuts and the spare wheel and tire assembly.  
*Torque: 98 lb.ft (133 Nm)*



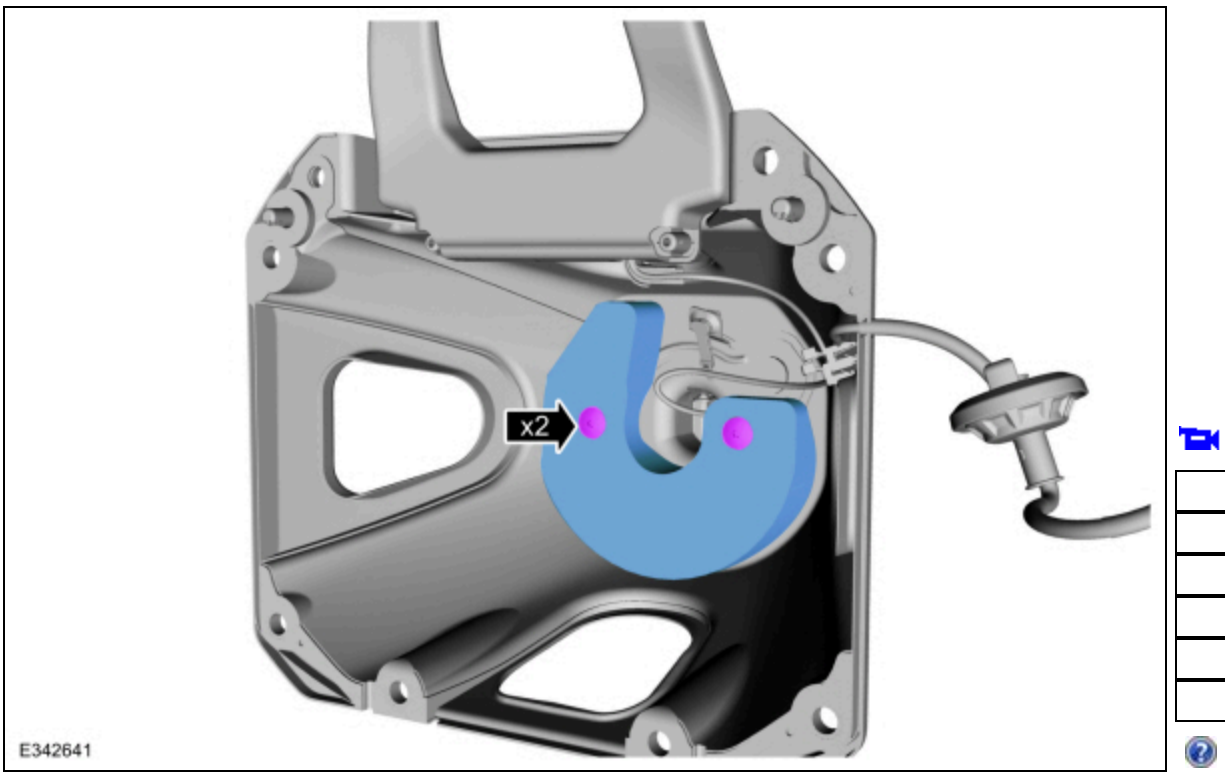
5. Remove the bolts and the spare tire carrier.  
*Torque: 18 lb.ft (25 Nm)*



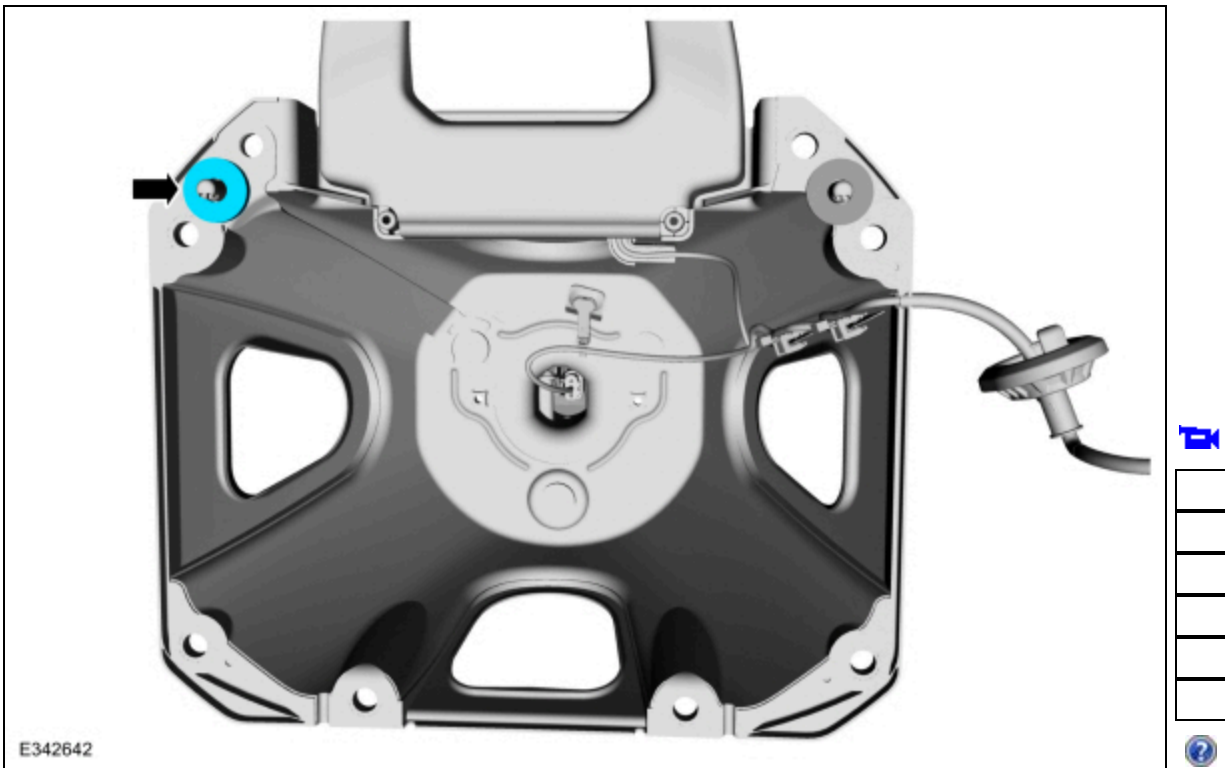
6. Remove the screws.



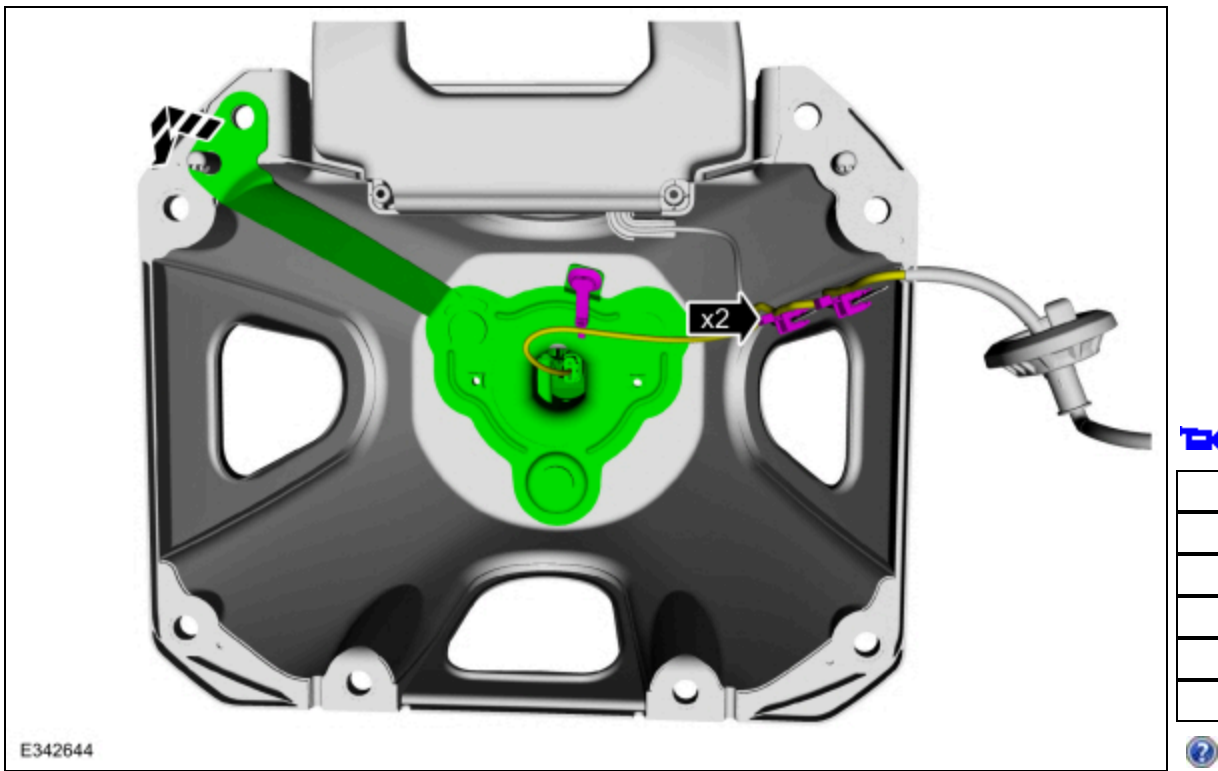
7. Remove the screws and the insulation.



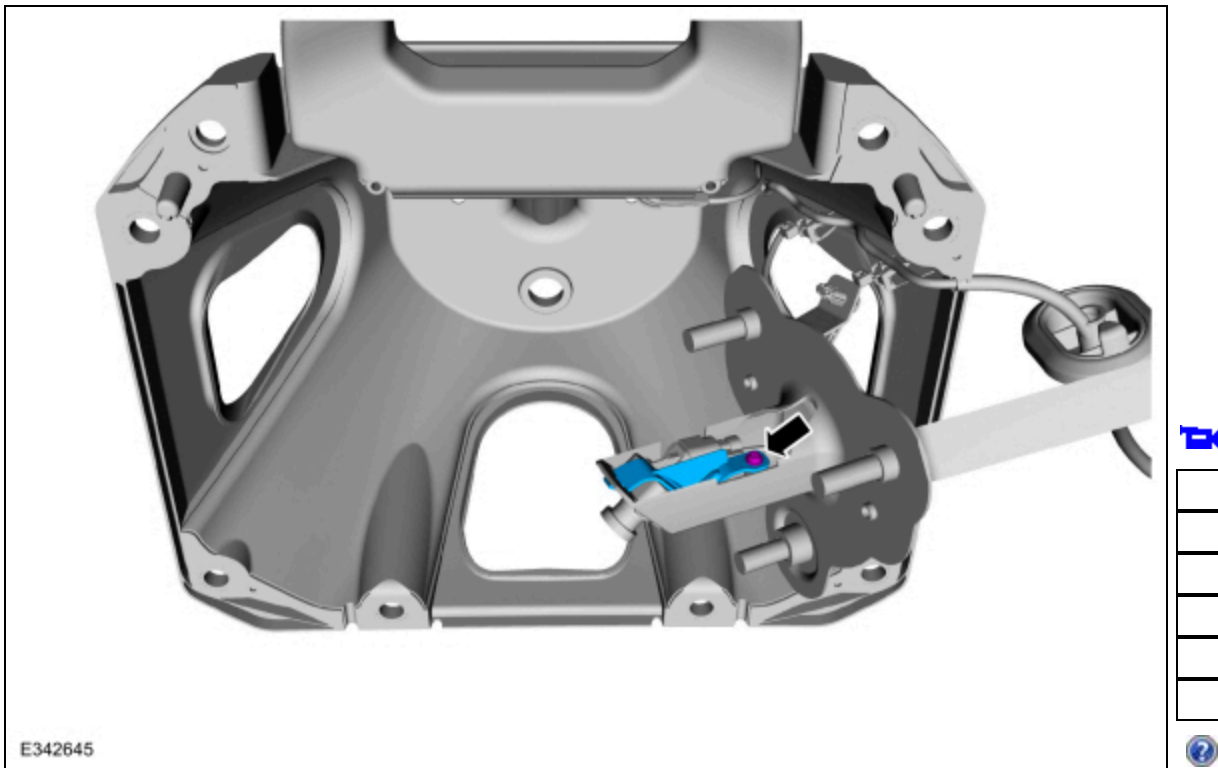
8. Remove the weather seal.



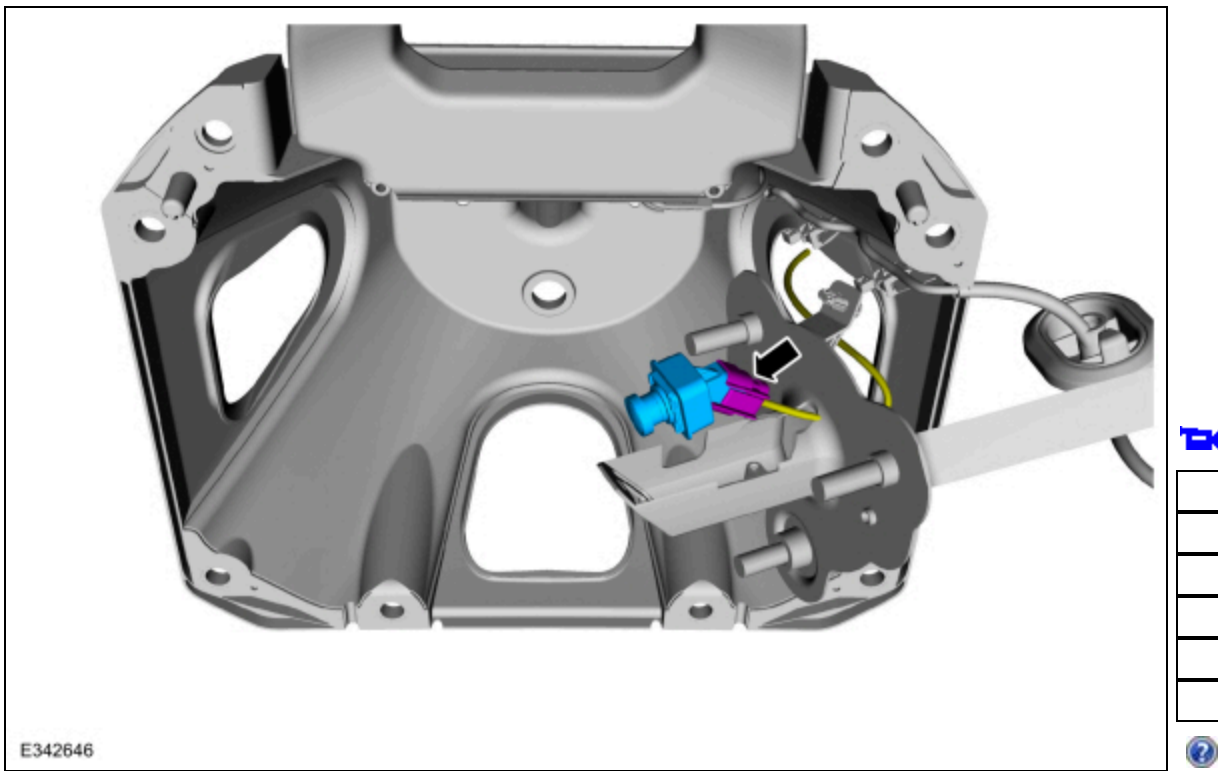
9. Release the wire guides and position the bracket and camera assembly.



10. Remove the screw and the rear parking aid camera bracket.



11. Disconnect the electrical connector and remove the rear parking aid camera.



**Installation**

- 1. To install, reverse the removal procedure.

**Vehicles equipped with analog cameras**

- 2. Initialize the rear view camera.  
Refer to: [Parking Aid Camera Initialization](#) (413-13B Parking Aid - Vehicles With: Parking Aid Camera, General Procedures).

**Vehicles equipped with 360 degree cameras**

- 3. Carry out the 360 degree camera alignment.  
Refer to: [360 Degree View Camera Alignment](#) (413-13B Parking Aid - Vehicles With: Parking Aid Camera, General Procedures).